

AXOR Starck
Thermostatic Trim with Volume Control and Diverter
 Finish: **chrome** Part no. : **10720001**



Description

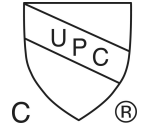
Features

- Volume control and diverter for 2 functions
- Thermostatic cartridge, Shut-off/ diverter valve
- Max. flow: 7.0 GPM (26.5 L/Min)
- Anti-scald 100° safety stop

Item details

List Price \$ 1,427.00

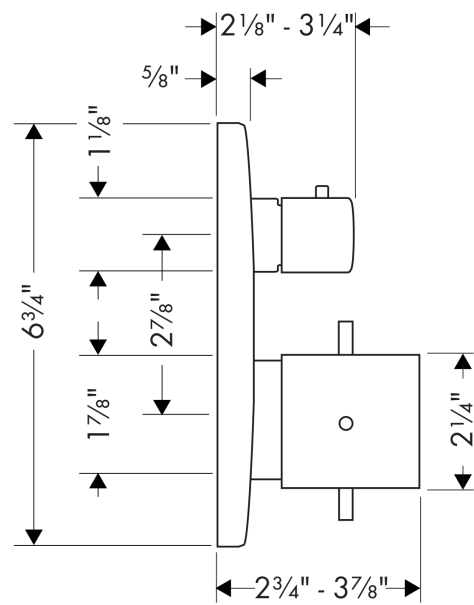
Compliance / Sustainability



Product image



Scale drawing

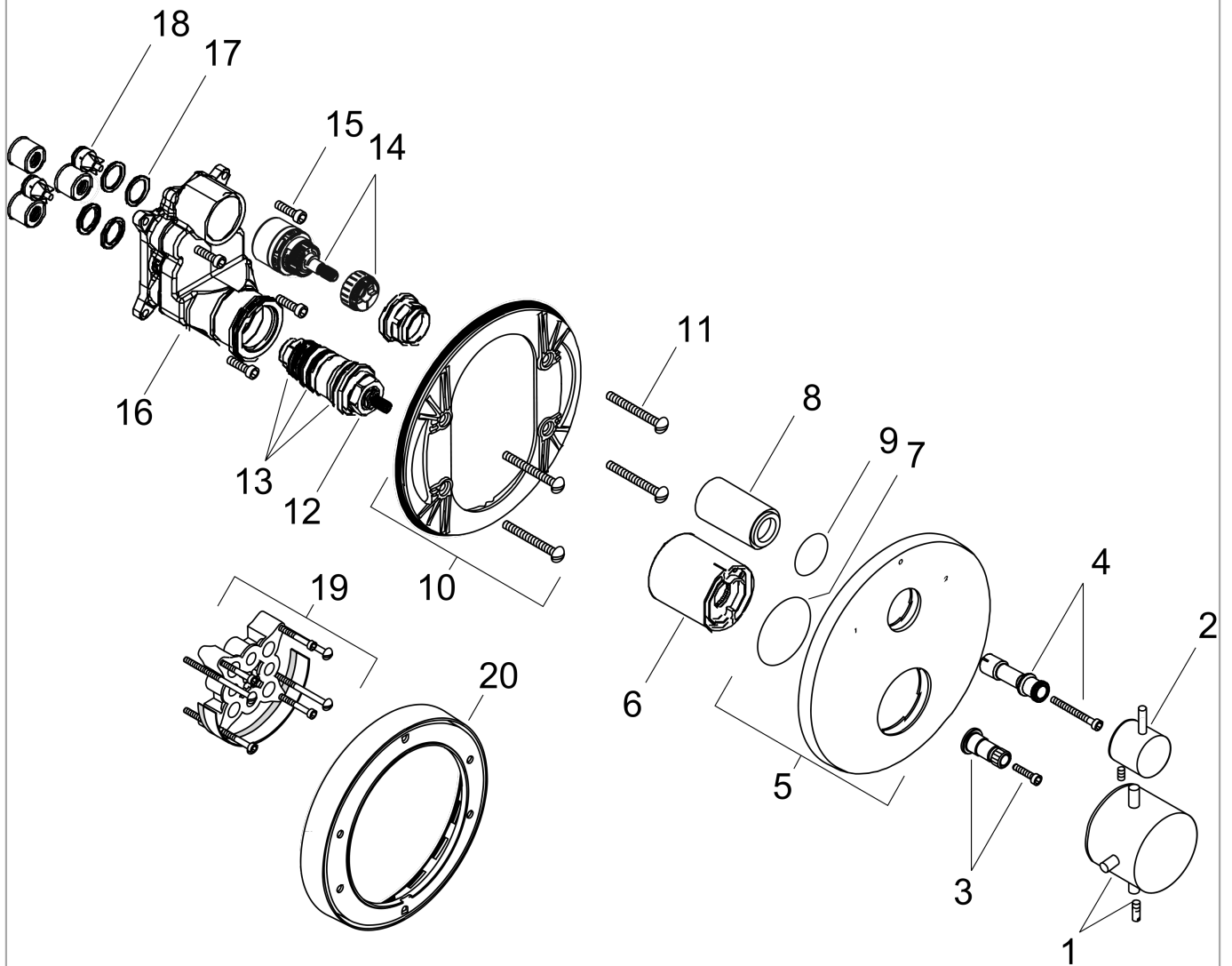


AXOR Starck
Thermostatic Trim with Volume Control and Diverter
 Finish: **chrome** Part no. : **10720001**



Exploded drawing

Year of production: >06/13



AXOR Starck
Thermostatic Trim with Volume Control and Diverter
 Finish: **chrome** Part no. : **10720001**



Spare parts list

Year of production: >06/13

Pos.	Description	Part no.	Price	PU
1	handle for thermostat	10391001	-	1
2	handle	96520000	-	1
3	adapter for handle	96435000	-	1
4	adapter for handle	95256000	-	1
5	escutcheon Ø 170 mm	95804000	-	1
6	sleeve	96439000	-	1
7	O-Ring 48x3	95508000	-	1
8	sleeve	95253000	-	1
9	O-ring 29x3	98371000	-	1
10	sub plate	96447000	-	1
11	set of fixing screws	96454000	-	1
12	thermostat cartridge	94282000	-	1
13	sealing set	95037000	-	1
14	shut off unit with selector	98283000	-	1
15	set of screws	96525000	-	1
16	installation unit cpl.	92592000	-	1
17	O-ring 16x2	98133000	-	1
18	set of non return valves DW 15	97350000	-	1
19	extension 25 mm	13595000	-	1
20	extension 22 mm (Ø 170 mm)	13596000	-	1