

AXOR Citterio M
Thermostatic Trim with Volume Control
 Finish: **brushed nickel** Part no. : **34705821**



Description

Features

- Volume control for 1 function
- Thermostatic cartridge, Ceramic cartridge
- Max. flow: 6.0 GPM (22.7 L/Min)
- Anti-scald 100° safety stop

Item details

List Price \$ 1,558.00

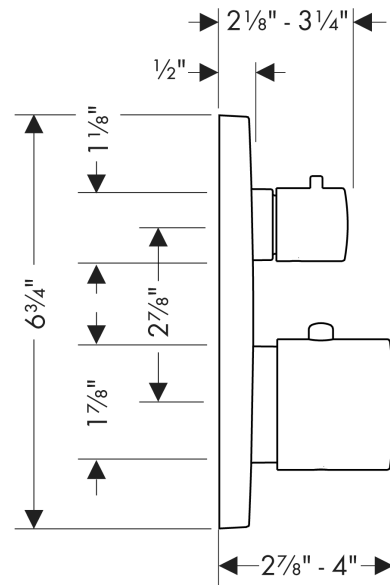
Compliance / Sustainability



Product image



Scale drawing

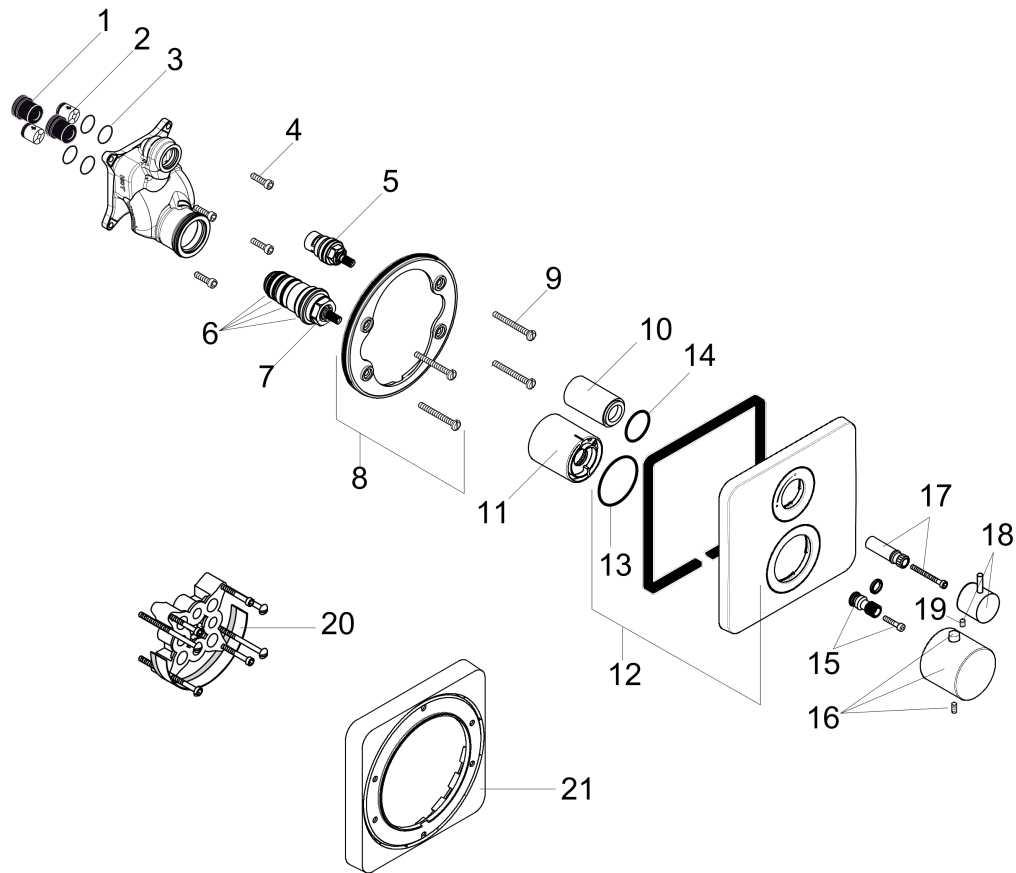


AXOR Citterio M
Thermostatic Trim with Volume Control
 Finish: brushed nickel Part no. : 34705821



Exploded drawing

Year of production: >10/13



AXOR Citterio M
Thermostatic Trim with Volume Control
 Finish: **brushed nickel** Part no. : **34705821**



Spare parts list

Year of production: >10/13

Pos.	Description	Part no.	Price	PU
1	noise reduction	94073000	-	1
2	set of non return valves DW 15	94074000	-	1
3	O-ring 16x2	98133000	-	1
4	set of screws	96525000	-	1
5	shut off unit right closing	94009000	-	1
6	sealing set	95037000	-	1
7	thermostat cartridge	94282000	-	1
8	holder for escutcheon	98793000	-	1
9	set of fixing screws	96454000	-	1
10	sleeve	96446820	-	1
11	sleeve	96439820	-	1
12	escutcheon	98919820	-	1
13	O-Ring 48x3	95508000	-	1
14	O-ring 29x3	98371000	-	1
15	adapter for handle	96435000	-	1
16	handle for thermostat	38391821	-	1
17	adapter for handle	96451000	-	1
18	handle	96520820	-	1
19	hollow set screw M4x8	97669000	-	1
20	extension 25 mm	13595000	-	1
21	extension 22 mm	98860820	-	1