

AXOR Citterio M
Thermostatic Trim with Volume Control and Diverter
 Finish: **brushed nickel** Part no. : **34725821**



Description

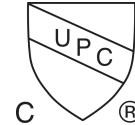
Features

- Volume control and diverter for 2 functions
- Thermostatic cartridge, Shut-off/ diverter valve
- Max. flow: 7.0 GPM (26.5 L/Min)
- Anti-scald 100° safety stop

Item details

List Price \$ 1,774.00

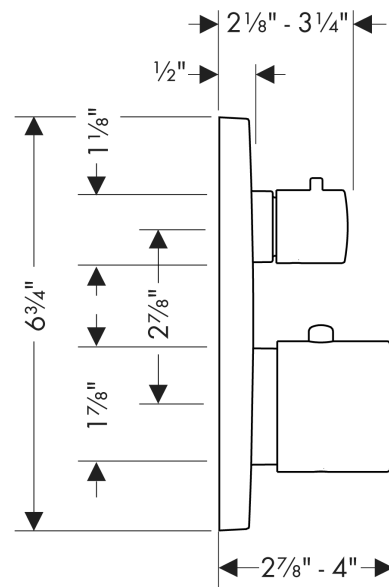
Compliance / Sustainability



Product image



Scale drawing

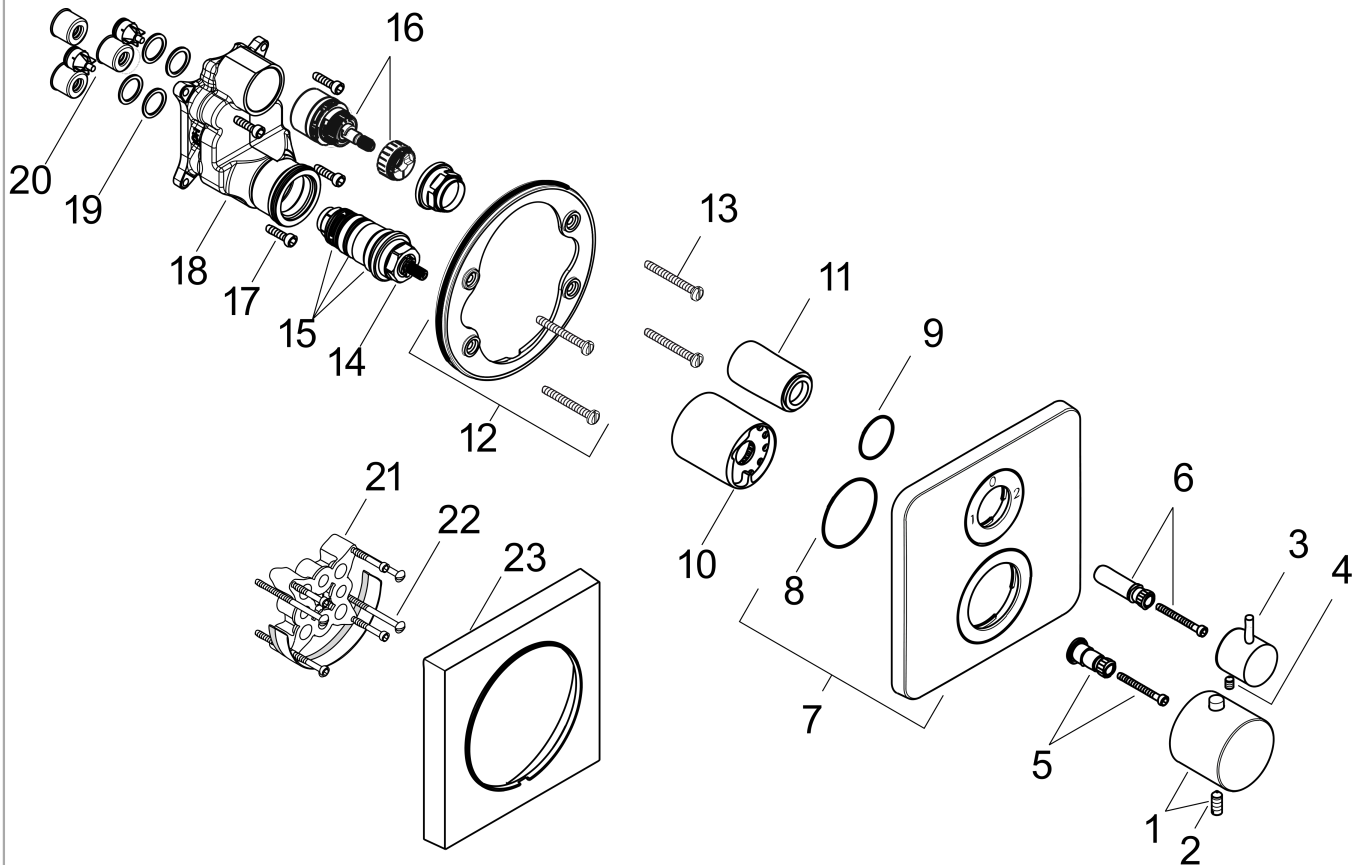


AXOR Citterio M
Thermostatic Trim with Volume Control and Diverter
 Finish: brushed nickel Part no. : 34725821



Exploded drawing

Year of production: >10/13



AXOR Citterio M
Thermostatic Trim with Volume Control and Diverter
 Finish: **brushed nickel** Part no. : **34725821**



Spare parts list

Year of production: >10/13

| Pos. | Description | Part no. | Price | PU |
|------|--------------------------------|----------|-------|----|
| 1 | handle for thermostat | 38391821 | - | 1 |
| 2 | hollow set screw M5x16 | 97666000 | - | 1 |
| 3 | handle | 96520820 | - | 1 |
| 4 | hollow set screw M4x8 | 97669000 | - | 1 |
| 5 | adapter for handle | 96435000 | - | 1 |
| 6 | adapter for handle | 96451000 | - | 1 |
| 7 | escutcheon | 95157820 | - | 1 |
| 8 | O-Ring 48x3 | 95508000 | - | 1 |
| 9 | O-ring 29x3 | 98371000 | - | 1 |
| 10 | sleeve | 96439820 | - | 1 |
| 11 | sleeve | 96446820 | - | 1 |
| 12 | holder for escutcheon | 98793000 | - | 1 |
| 13 | set of fixing screws | 96454000 | - | 1 |
| 14 | thermostat cartridge | 94282000 | - | 1 |
| 15 | sealing set | 95037000 | - | 1 |
| 16 | shut off unit with selector | 98283000 | - | 1 |
| 17 | set of screws | 96525000 | - | 1 |
| 18 | installation unit cpl. | 92592000 | - | 1 |
| 19 | O-ring 16x2 | 98133000 | - | 1 |
| 20 | set of non return valves DW 15 | 97350000 | - | 1 |
| 21 | extension 25 mm | 13595000 | - | 1 |
| 22 | set of fixing screws | 97747000 | - | 1 |
| 23 | extension 22 mm | 98860820 | - | 1 |