

24" Compact Condensation Dryer

300 Series Dryer – WTG86403UC



WTG86403UC
White

The 300 series dryer is a perfect companion to the 300 Series washer, matching in quality, performance and design.

Features & Benefits

Condensation drying doesn't require ducting.

Sensor Controlled Condensation Drying system delivers high quality fabric care and complete drying results.

The 4.0 cu. ft. drum has a large capacity to fit a variety of loads.



General Properties

Dryer type	Condensing
Drum material	Galvalume
Interior light	No
Ventless drying (no ducting)	Yes
Stackable	Yes with Stacking Kit Accessory
Silence level (dBA)	67
Programs (No.), [Special]	(15), [Jeans, Heavy Duty]
Options (No.), [Special]	(6), [Dry Level, Finished In]
Energy consumption (kWh/yr)	315
ENERGY STAR® certified	Yes

Capacity

Capacity (cu. ft.)	4.0
--------------------	-----

Design Elements

Door ring	White
Control type	Touch
Dial	White
Bosch logo on door glass	No

Technical Details

Energy source	Electric
Watts (W)	2,520
Circuit breaker (A)	15*
Volts (V)	208/220-240
Current (A)	10.5
Frequency (Hz)	60
Plug type	240V; NEMA 6-15 (3 prong)
Power cord included	Yes
Power cord length (in)	63 (Full Length)
Drain hose length (in)	78 (Full Length)
Door hinge	Right Side (Not Reversible)

Dimensions & Weight

Overall appliance dimensions (HxWxD) (in)	33 1/4" x 23 1/2" x 25"
Net weight (lbs)	99
Minimum stack height (in)	67 3/4"

ADA compliance

- Meets ADA height and access requirements *when installed on pedestal.*
- Meets ADA operable parts requirements for controls and lint filter.

Accessories



WTZ11400UC
Stacking Kit with Shelf



WTZ20410UC
Stacking Kit without Shelf



WTZPW20D
Pedestal



WMZ20600
Drying Rack



WTZPA20UC
Power Adapter
(Included with Dryer)

*Stated circuit breaker size is if the appliance is plugged into an individual 240/208V, 15A minimum branch circuit. Dryer is supplied with a power adapter to fit into a standard 4-prong 30A Dryer receptacle (NEMA 14-30R) and power both Bosch Washer and Dryer.

Accessories: To purchase Bosch accessories, cleaners & parts please visit www.bosch-home.com/us/store or call 1-800-944-2904 (Mon to Fri 5 am to 6 pm PST, Sat 6 am to 3 pm PST).

Notes: All height, width and depth dimensions are shown in inches. BSH reserves the absolute and unrestricted right to change product materials and specifications, at any time, without notice. Consult the product's installation instructions for final dimensional data and other details prior to making cutout.

Warranties: Please see Use & Care manual or Bosch website for statement of limited warranty.

For more information on our entire line of products, go to www.bosch-home.com/us or call 1-800-944-2904

© BSH Home Appliances Corporation. All rights reserved. Bosch is a registered trademark of Robert Bosch GmbH.

24" Compact Condensation Dryer

300 Series Dryer – WTG86403UC

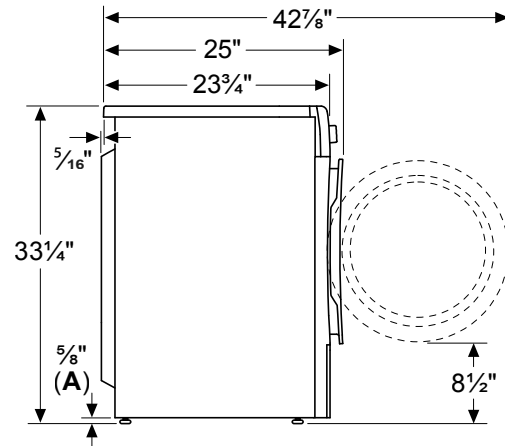
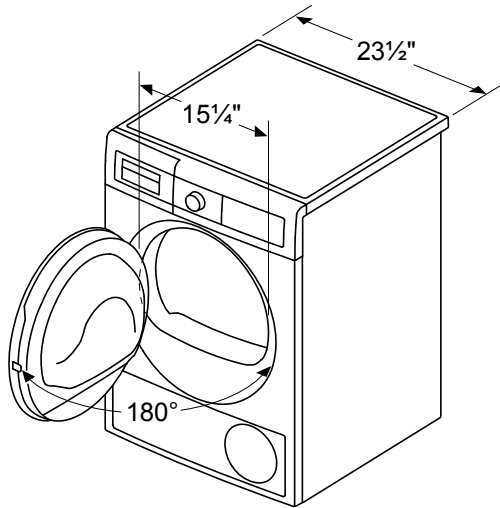


BOSCH

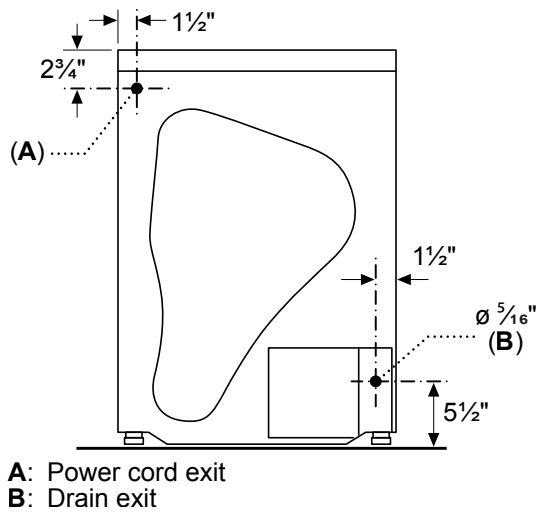
Invented for life



Installation Details

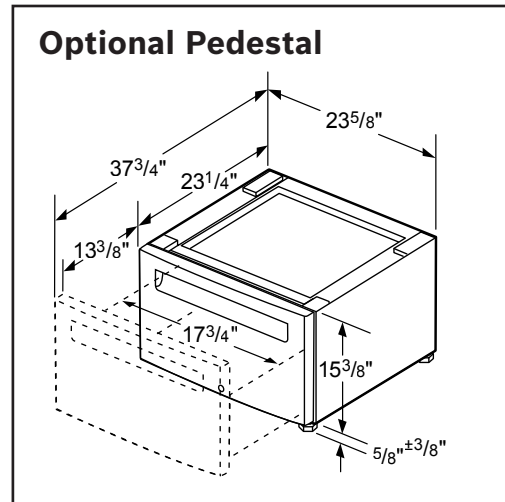


A: 5/8" nominal; 1/2" minimum; 1" maximum



A: Power cord exit
B: Drain exit

measurements in inches



Optional Pedestal

Accessories: To purchase Bosch accessories, cleaners & parts please visit www.bosch-home.com/us/store or call 1-800-944-2904 (Mon to Fri 5 am to 6 pm PST, Sat 6 am to 3 pm PST).

Notes: All height, width and depth dimensions are shown in inches. BSH reserves the absolute and unrestricted right to change product materials and specifications, at any time, without notice. Consult the product's installation instructions for final dimensional data and other details prior to making cutout.

Warranties: Please see Use & Care manual or Bosch website for statement of limited warranty.

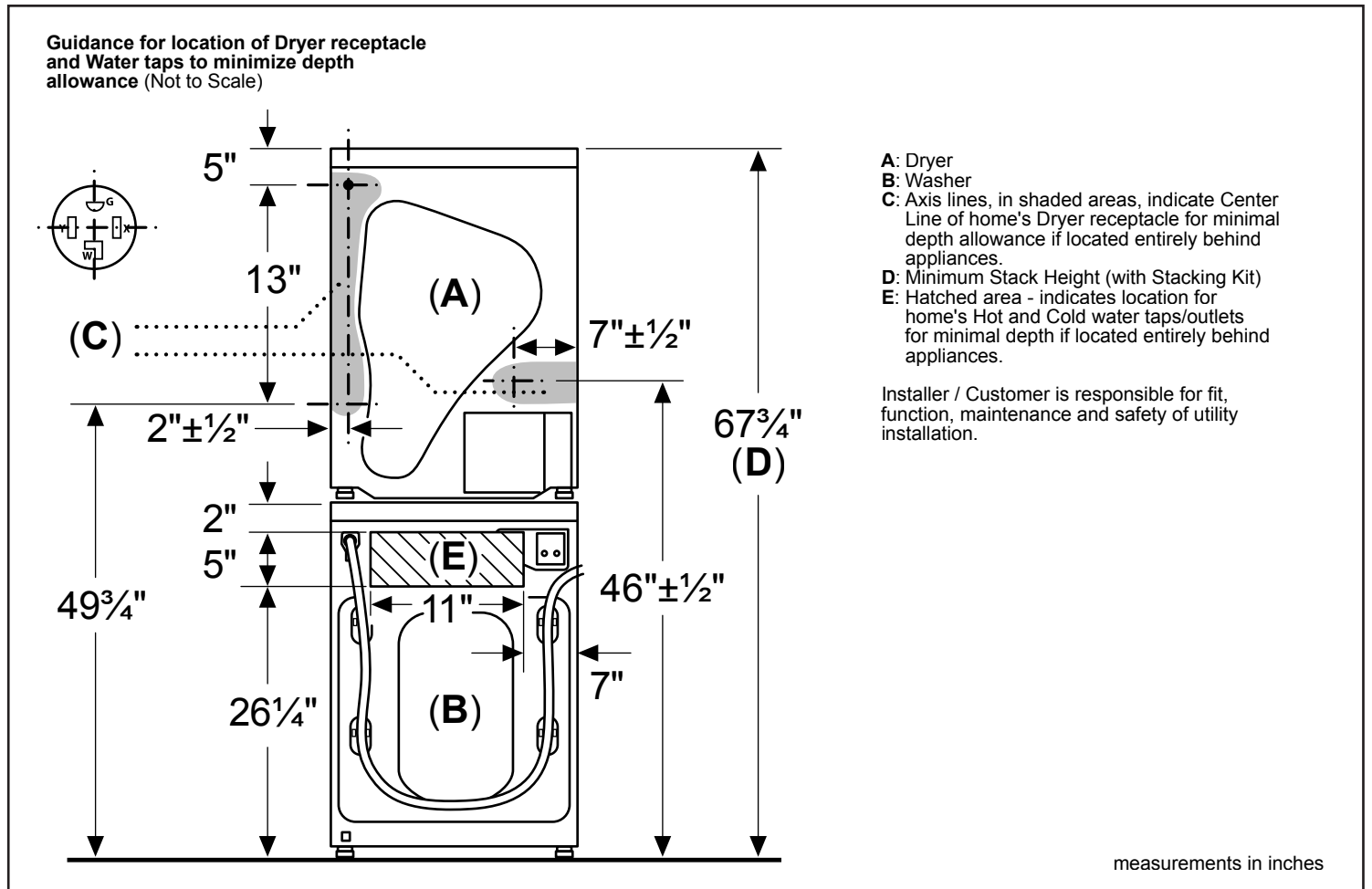
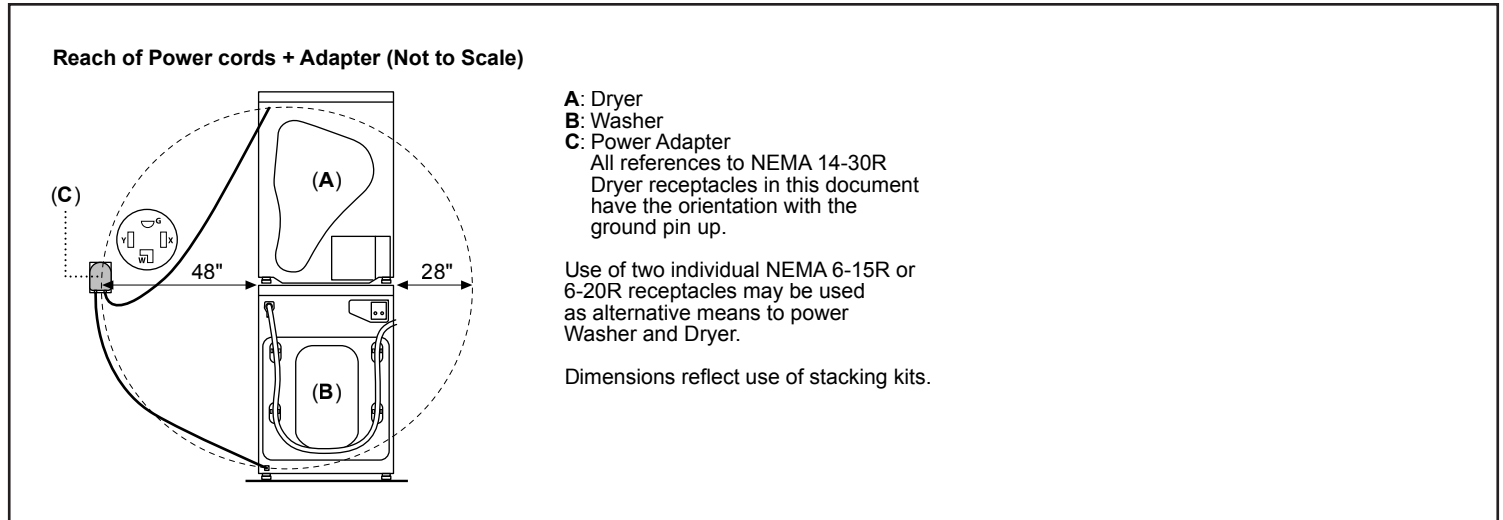
For more information on our entire line of products, go to www.bosch-home.com/us or call 1-800-944-2904

© BSH Home Appliances Corporation. All rights reserved. Bosch is a registered trademark of Robert Bosch GmbH.

24" Compact Condensation Dryer

300 Series Dryer – WTG86403UC

Installation Details



Accessories: To purchase Bosch accessories, cleaners & parts please visit www.bosch-home.com/us/store or call 1-800-944-2904 (Mon to Fri 5 am to 6 pm PST, Sat 6 am to 3 pm PST).

Notes: All height, width and depth dimensions are shown in inches. BSH reserves the absolute and unrestricted right to change product materials and specifications, at any time, without notice. Consult the product's installation instructions for final dimensional data and other details prior to making cutout.

Warranties: Please see Use & Care manual or Bosch website for statement of limited warranty.

For more information on our entire line of products, go to www.bosch-home.com/us or call 1-800-944-2904

© BSH Home Appliances Corporation. All rights reserved. Bosch is a registered trademark of Robert Bosch GmbH.

24" Compact Condensation Dryer

300 Series Dryer – WTG86403UC

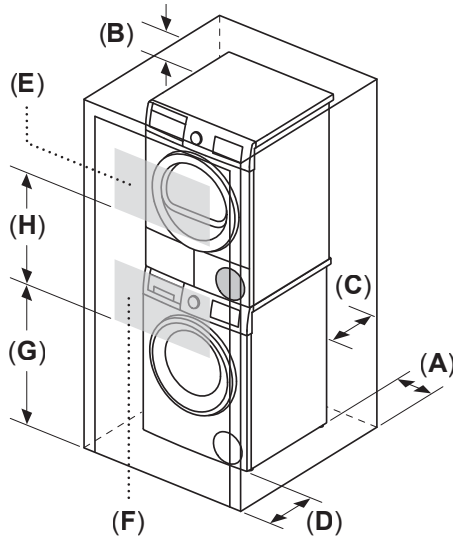


BOSCH

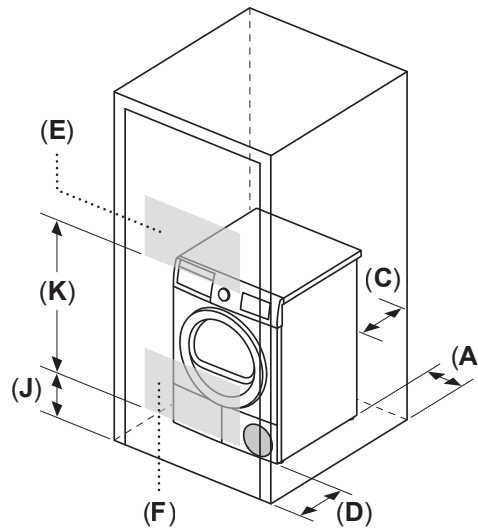
Invented for life

Installation Details

Closet: Stacked Washer and Condensation Dryer



Closet: Stand Alone (shown) or Side by Side



Minimum clearance requirements
(Stacked, Stand Alone or Side by Side):

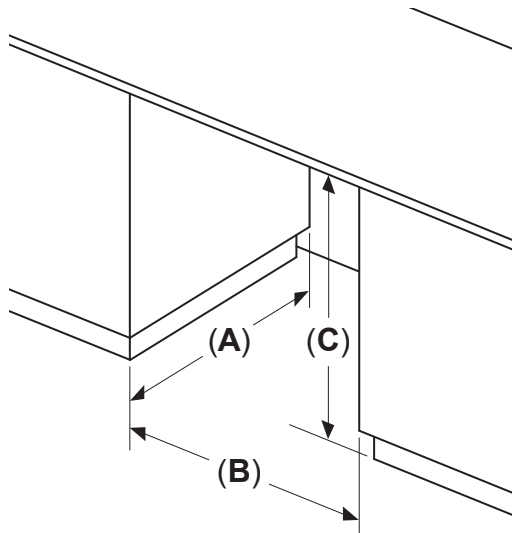
- A: Both sides (left and right) – $\frac{5}{8}$ "
- B: Top – $6\frac{1}{4}$ "
- C: Rear – $2\frac{1}{2}$ "
- D: Front – $2\frac{1}{2}$ "

Minimum louvered area and spacing:

- E: Top louver area – 63 sq. in.
- F: Bottom louver area – 63 sq. in.
- G: Lower Height (stacked) – 37"
- H: Upper Height (stacked) – 26"
- J: Lower Height (stand alone) – 3"
- K: Upper Height (stand alone) – 29"

For shortest drying times keep closet door open while dryer is operating. When closet doors are closed, open areas only allow minimal drying results (expect long drying times).

Under Counter (Preferred)

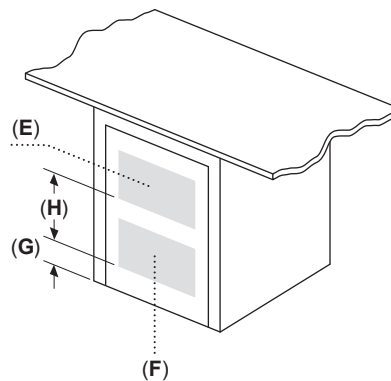


Minimum opening dimensions:

- A: Depth – 28"
- B: Width – $23\frac{7}{8}$ "
- C: Height – $34\frac{1}{2}$ "

Front of appliance fully open.
No doors or coverings.

Under Counter Enclosed (Less Preferred)



If the front of the appliance is covered, louvered openings must be installed as shown and front/rear clearances adhered to according to closet installations.

Minimum louvered area and spacing:

- E: Top louver area – 63 sq. in.
- F: Bottom louver area – 63 sq. in.
- G: Lower Height – 3"
- H: Upper Height – 14"

For shortest drying times keep cabinet door open while dryer is operating. When cabinet door is closed, open areas only allow minimal drying results (expect long drying times).

measurements in inches

Accessories: To purchase Bosch accessories, cleaners & parts please visit www.bosch-home.com/us/store or call 1-800-944-2904 (Mon to Fri 5 am to 6 pm PST, Sat 6 am to 3 pm PST).

Notes: All height, width and depth dimensions are shown in inches. BSH reserves the absolute and unrestricted right to change product materials and specifications, at any time, without notice. Consult the product's installation instructions for final dimensional data and other details prior to making cutout.

Warranties: Please see Use & Care manual or Bosch website for statement of limited warranty.

For more information on our entire line of products, go to www.bosch-home.com/us or call 1-800-944-2904

© BSH Home Appliances Corporation. All rights reserved. Bosch is a registered trademark of Robert Bosch GmbH.