



Panel-Ready
KUIX535HPA

Capacity

Ice Capacity Storage 25 lbs

General Features & Properties

Self-Cleaning Cycle

Holds 25 Pounds of Ice

Max Ice

Filter-Ready

Reversible Door

Panel-Ready (KUIX535HPA only)

Electrical Details

Amps 15 or 20

Volts 115/120

Technical Details

Ice Maker Type	Built-In
Control Location	Interior Up Front
Ice Capacity Storage (lbs)	25
Drain Pump	Pump Included
Installation Option	True Flush
Lighting Type	LED

Dimensions

Product Dimensions (H x W x D)	34-1/16" x 14-7/8" x 26-1/16"
Depth with Door Open 90°	39-9/16"
Cutout Dimensions (H x W x D)	34-1/2" x 15" x 25"

Reference Material

[Dimension Guide](#)

[Install Guide](#)

[Use & Care Guide](#)

Also available in:

- Stainless Steel with PrintShield™ Finish **KUIX535HPS**
- Black Stainless Steel with PrintShield™ Finish **KUIX535HBS**

Key Features & Benefits

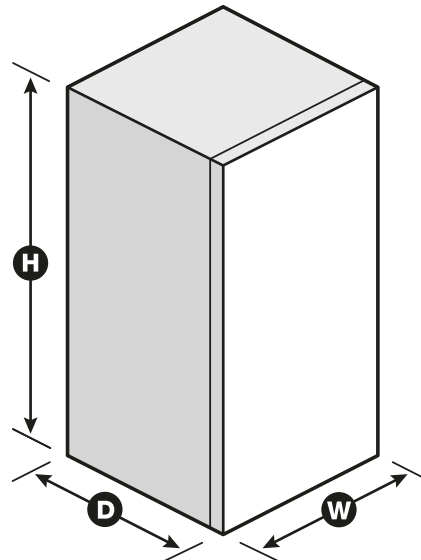
Fully Flush Installation with Articulating Hinge

Aligns with surrounding cabinetry for a built-in look, with a hinge that allows the door to open 90 degrees.

Clear Ice Technology

Helps produce cubes of uniform clarity, size and shape that are ideal for everyday use.

Factory Installed Drain Pump



NOTE: Dimensions are for planning purposes only. For complete details, see Installation Instructions packed with product. Specifications subject to change without notice.