



## Birthday Bath®

72" x 37-1/2" freestanding bath  
K-100

### Features

- End drain.
- Integral lumbar support.

### Material

- KOHLER® enameled cast iron.
- Cast iron with Safeguard® finish.
- Painted exterior surface smoothness can vary from product to product.

### Installation

- Freestanding.

### Required Products/Accessories

K-102 Ball-and-claw feet  
K-106 Chain and Rubber Stopper Bath Drain  
K-127 Riser Tubes

### Recommended Products/Accessories

K-1491 Bath/Whirlpool Pillow  
K-1601 Bath/Whirlpool Footstop



### Codes/Standards

ASME A112.19.1/CSA B45.2  
ASTM F462



### KOHLER® Enameled Cast Iron Bath and Shower Base Lifetime Limited Warranty

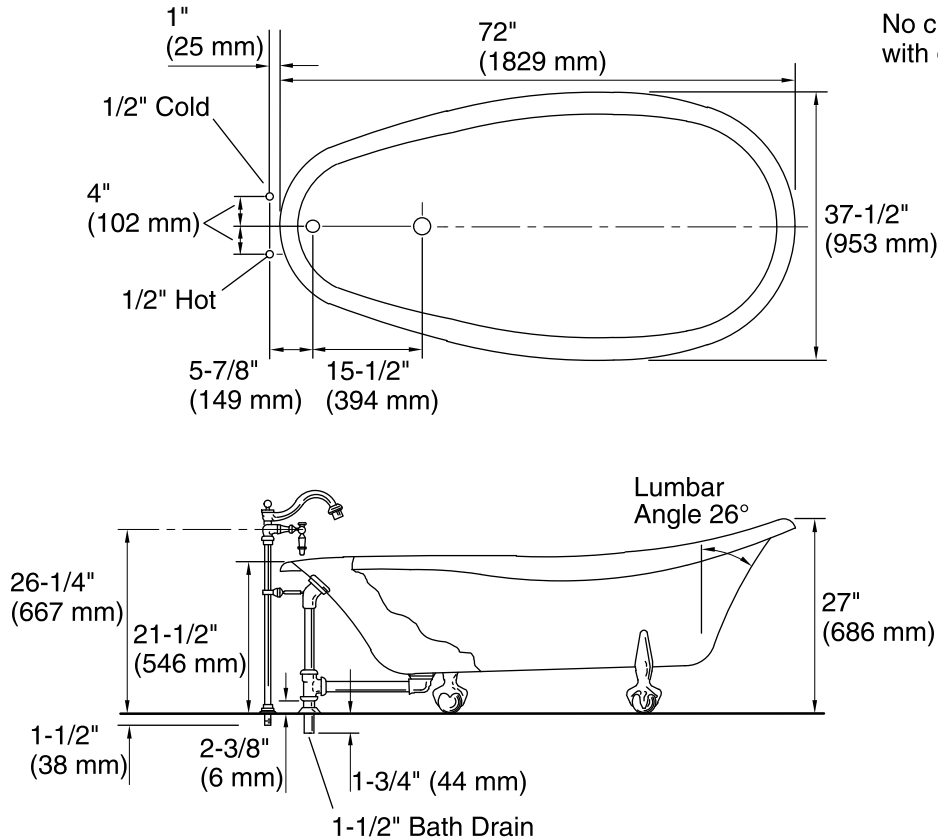
See website for detailed warranty information.

### Available Colors/Finishes

*Color tiles intended for reference only.*

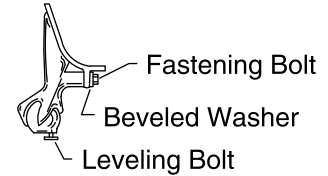
| Color | Code | Description |
|-------|------|-------------|
|-------|------|-------------|

|  |    |         |
|--|----|---------|
|  | 0  | White   |
|  | 96 | Biscuit |



No change in measurements if connected with drain illustrated. (K-106)

### Leg Detail



### Technical Information

All product dimensions are nominal.

|                     |   |
|---------------------|---|
| Installation:       | Freestanding                                      |
| Drain location:     | End   |
| Basin area, bottom: | 43" x 21" (1092 mm x 533 mm)                      |
| Basin area, top:    | 67" x 31" (1702 mm x 787 mm)                      |
| Weight:             | 430 lbs (195 kg)                                  |
| Minimum floor load: | 47 lbs/ft <sup>2</sup> (229.5 kg/m <sup>2</sup> ) |
| Water depth:        | 11-1/8" (283 mm)                                  |
| Water capacity:     | 50 gal (189.3 L)                                  |

### Notes

Measure your actual product for rough-in details.

Install this product according to the installation instructions.

The hot water supply should be 70% of the capacity of the bath or greater. Installations will vary.