

Features

- Includes valve body, rough-in guide, and test cap.
- 1/2" Universal NPT and direct sweat inlets and outlets with stops (uninstalled kit).
- Service stops include integral check valves.
- Requires valve cartridge and trim to complete installation (sold separately).

Material

- Forged dezincification-resistant brass body provides long term reliability and resistance to aggressive water conditions.

Installation

- Designed for use in standard, back-to-back and thin wall installations.
- Valve body features integral mounting locations and symmetrical valve inlets to simplify installation.
- Rough-in guide designed for both standard and thin wall installations.
- Installed valve rough-in can be flushed and pressure-tested to 150 psi max (air or water) without cartridge using K-10351 test cap (included).

Required Products/Accessories

K-8305 Pressure Balance Cartridge

or

K-P8305 Pressure Balance Cartridge

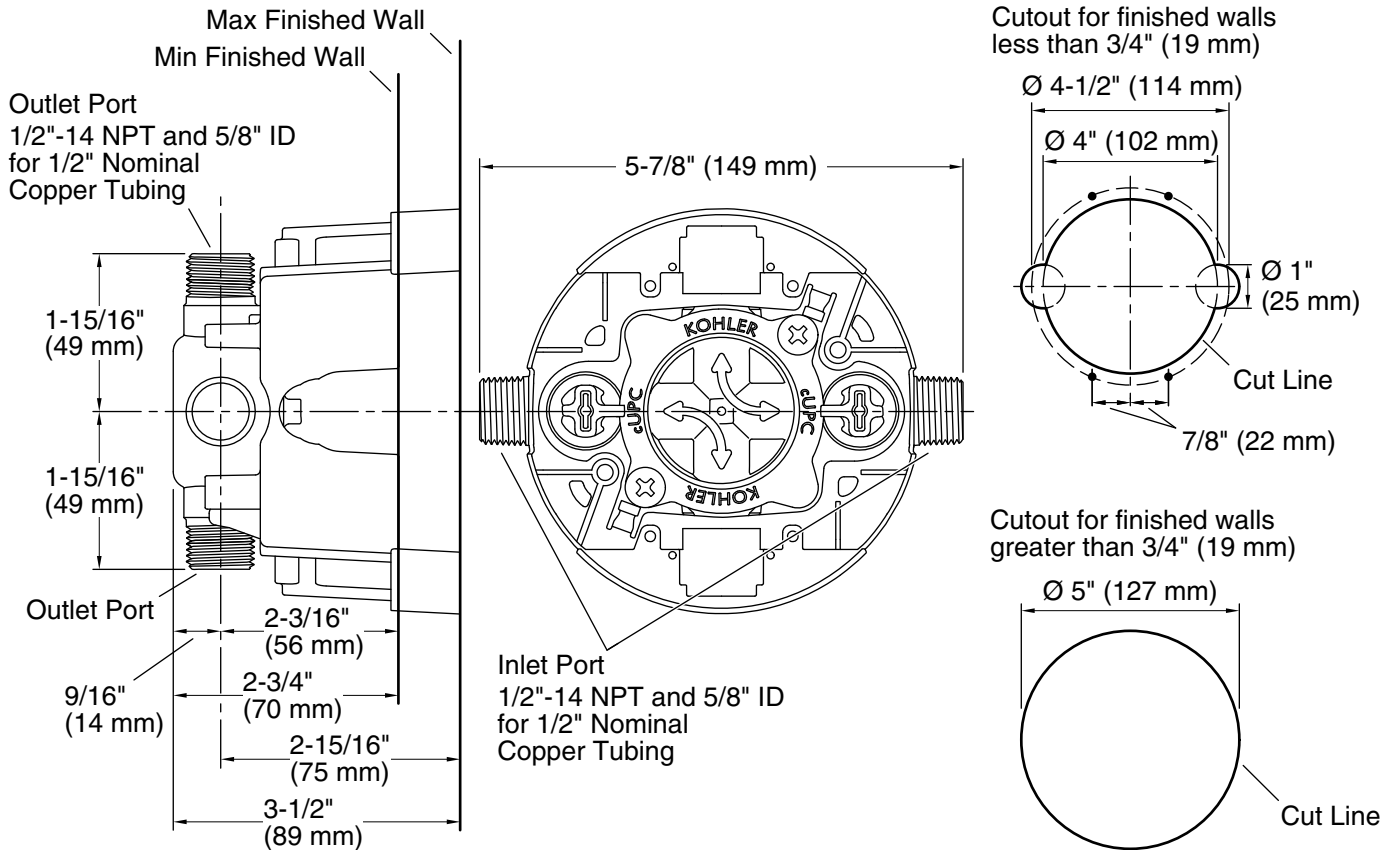


Codes/Standards

ASME A112.18.1/CSA B125.1

KOHLER® Faucet Lifetime Limited Warranty

See website for detailed warranty information.



Technical Information

All product dimensions are nominal.

Notes

Install this product according to the installation guide.

Avoid cross-flow conditions. Do not install shut-off device on either valve outlet.

Cap the shower outlet if deck-mount spout, diverter, or handshower is connected to the spout outlet.

Install straight pipe or tube drop of 7" (178 mm) to 18" (457 mm) with single elbow between the valve and wall-mount spout.

For finished walls greater than 3/4" (19 mm) and less than 1-1/2" (38 mm), install support(s) 2" (51 mm) from the stud face.

For finished walls greater than 1-1/2" (38 mm), install support(s) 3" (76 mm) from the face of the finished wall.