

INSTALLATION INSTRUCTIONS

(TO INSTALL AS A PORTABLE UNIT)

For Model # P220-084 (Rev. 08/23/2012)

WARNING! SHUT POWER OFF AT FUSE OR CIRCUIT BREAKER.

AVERTISSEMENT! COUPER LE COURANT AU NIVEAU DES FUSIBLES OU DU DISJONCTEUR.

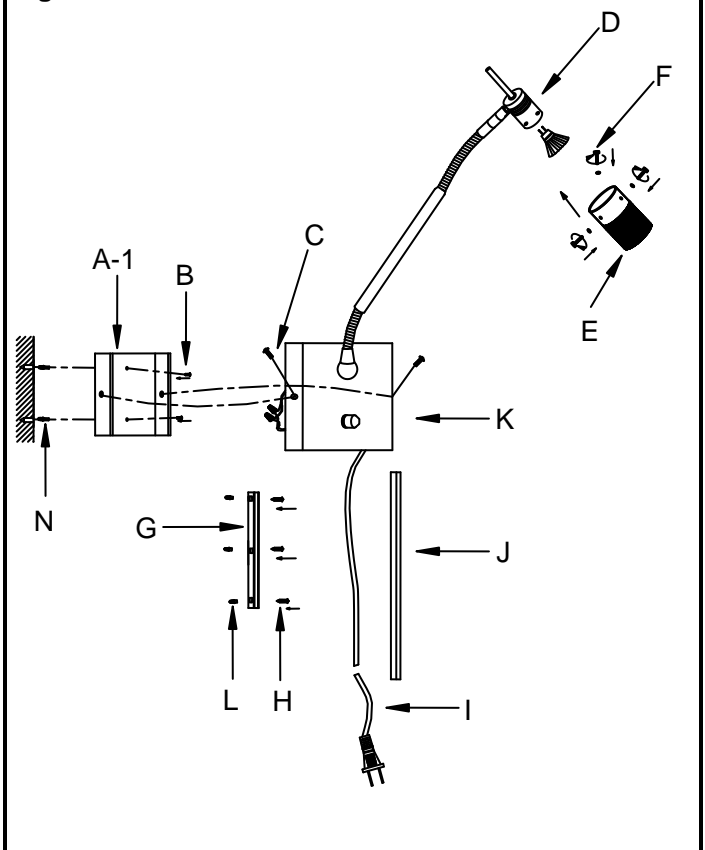
WARNING

- Risk of shock, do not plug in the unit before assembly.
- Do not exceed the maximum wattage rating.
- Before you begin assembly of your new fixture, please follow the instruction manual step by step.

MOUNTING THE LUMINAIRE, PLUG VERSION (Fig.1) For hardwire go to Fig.2

1. Carefully unpack your new fixture and lay out all the parts on a clear area. Take care not to lose any small parts necessary for installation.
2. Drill the holes in the proper position on the wall according to the mounting location of the fixture.
3. Place the Plastic Anchor (N) (provide) into the top of holes, then secure the Mounting Plate (A-1) to the wall using Wood Screws (B) (provide).
4. Place the Fixture Body over the Mounting Plate (A-1) then secure them tightly with Screws (C) .
5. Place the Plastic Anchor (L) (provide) into the bottom of holes, then secure the cord cover bracket (G) to the wall using Wood Screws (H) (provide). Place the Cord (I) into the cord cover bracket (G) and snap the Cover (J) over Cord (I)
6. Install halogen bulb into socket in accordance with the fixture's specifications. (**DO NOT EXCEED THE MAXIMUM WATTAGE RATING!**) (**NE PAS DEPASSER LA PUISSANCE NOMINALE MAXIMALE!**)
7. Place Glass Shade (E) onto the Socket (D), then secure it by three pieces screws (F).

Fig. 1



INSTRUCTIONS PERTAINING TO A RISK OF FIRE, ELECTRIC SHOCK, EXPOSURE TO EXCESSIVE UV RADIATION, OR INJURY TO PERSONS.

IMPORTANT SAFETY INSTRUCTIONS

Lighted lamp is HOT!

WARNING – TO REDUCE THE RISK OF FIRE, ELECTRIC SHOCK, EXPOSURE TO EXCESSIVE UV RADIATION, OR INJURY TO PERSONS:

WARNING: In handling of halogen bulb, care should be taken not to touch it with your bare hands. Oil residue will shorten the life of the halogen bulb. If you accidentally come in contact, wipe thoroughly with a clean, lint-free, cotton cloth. Allow the bulb to cool for 10 minutes before changing the bulb.

1. Turn off/unplug and allow to cool before replacing bulb.
2. Bulb gets HOT quickly! Only contact switch/plug when turning on.
3. Do not touch hot lens, guard, or enclosure.
4. Do not remain in light if skin feels warm.
5. Do not look directly at lighted lamp.
6. Keep lamp away from materials that may burn.
7. Use only with a 50 watt or smaller bulb.
8. Do not touch the bulb at any time. Use a soft cloth. Oil from skin may damage bulb.
9. Do not operate the portable luminaries with a missing or damaged guard, lamp containment barrier, or UV filter.

SAVE THESE INSTRUCTIONS

IMPORTANT SAFETY INSTRUCTIONS

This portable lamp has a polarized plug (one blade is wider than the other) as a safety feature to reduce the risk of electric shock. This plug will fit in a polarized outlet only one way. If the plug does not fit fully in the outlet, reverse the plug. If it still does not fit, contact a qualified electrician. Never use with an extension cord unless plug can be fully inserted. Do not alter the plug.

INSTALLATION INSTRUCTIONS

(TO INSTALL AS A FIXTURE UNIT)

For Model # P220-084 (Rev. 08/23/2012)

WARNING! SHUT POWER OFF AT FUSE OR CIRCUIT BREAKER.
AVERTISSEMENT! COUPER LE COURANT AU NIVEAU DES FUSIBLES OU DU DISJONCTEUR.

MOUNTING THE FIXTURE, HARDWIRE VERSION (Fig.2)

1. Shut off power at the circuit breaker and remove old fixture including the mounting hardware.
2. Carefully remove the fixture from the carton and check that all parts are included as shown in the illustration.
3. **Remove the cord and plug by disconnecting the wire nuts to the cord and remove the bushing. See (Fig. 1)**
4. Attach the Circular Strap (A) to Outlet Box using the two Screws (B). The side of the Circular Strap (A) marked "GND" must face out.

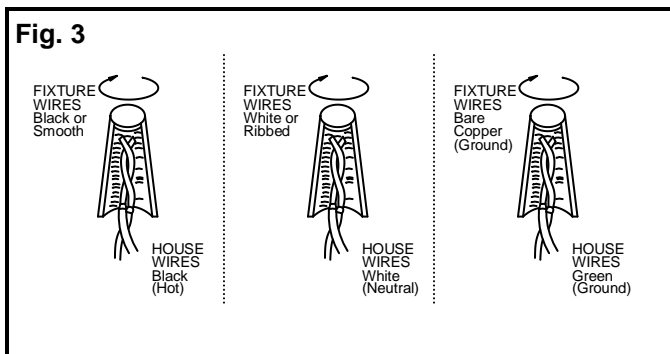
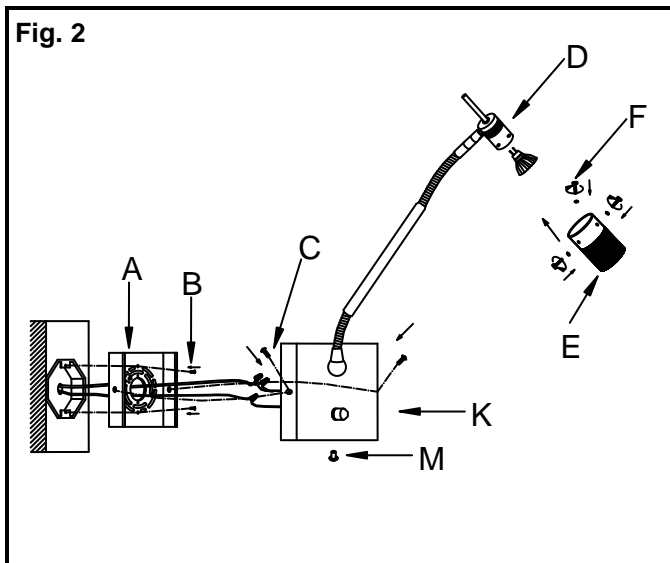
CONNECTING THE WIRES (Fig. 3)

5. Connect the electrical wires as shown in Fig. 3, making sure that all wire connectors are secured. (Do not mount less than 4 inches from wall). If your outlet has a ground wire (green or bare copper), connect the fixture's Ground Wire to it. Otherwise, connect the fixture's Ground Wire directly to the Circular Strap by using the Green Screw provided.

FINISHING THE INSTALLATION (Fig. 1)

6. Place Fixture Body (K) over the Circular Strap (A) then secures them tightly with two Screw Studs (C) by screwdriver.
7. Insert plug (M) into hole in Fixture Body (K).
8. Install halogen bulb into socket in accordance with the fixture's specifications. **(DO NOT EXCEED THE MAXIMUM WATTAGE RATING!). (NE PAS DEPASSER LA PUISSANCE NOMINALE MAXIMALE!)**
9. Place Glass Shade (E) onto the socket (D), then secure it by three pieces screws (F).

Your installation is now complete. Return power to the outlet box and test the fixture.



IMPORTANT: FIXTURE SHOULD BE INSTALLED BY A QUALIFIED ELECTRICIAN TO ENSURE PROPER WIRING AND INSTALLATION.

