

# INSTALLATION INSTRUCTIONS

Item#N7107-258B (New. 05/11/2015)

**READ AND SAVE THESE INSTRUCTIONS**

**WARNING! SHUT POWER OFF AT FUSE OR CIRCUIT BREAKER.**

**AVERTISSEMENT! COUPER LE COURANT AU NIVEAU DES FUSIBLES OU DU DISJONCTEUR.**

## HANGING THE FIXTURE (Fig. 1)

1. Carefully remove the fixture from the carton and check that all parts are included as shown in the illustration.
2. Shut off power at the circuit breaker and remove the old fixture including the mounting hardware.
3. Thread the tube (X) to nipple (L) of the fixture body (Q).
4. Hang the crystal drops (M), (T) to proper position of fixture body (Q).
5. Place wire mesh shade (R) over fixture body (Q), connect tube (Y) to the "L" bar (Z).
6. Determine the hanging height desired and connect down rods (J&K) to tube (X), then secure the swivels (I) to the top of the down rods (J).
7. Next place canopy (H), metal plate (W), lock washer (C) and washer (D) over the top of swivel (I). Fasten with hex nut (E) by using the wrench (F) provided.
8. Position the mounting plate (A) on the ceiling, and mark the location of the **four** drywall anchors (T). Pre-drill the holes for the drywall anchors (T) and insert the drywall anchors (T) into the ceiling.
9. Attach the mounting plate (A) to the outlet box with screws (B) (size: #8-32N\*L0.5"). The side of the mounting plate marked "GND" must face out.
10. Place the woodscrews (U) through the mounting plate and into the drywall anchors (T) to secure the mounting plate (A) to the ceiling.

## CONNECTING THE WIRES (Fig. 2)

11. Connect the electrical wire as shown in (Fig.2), making sure that all wire connectors are secured. If your outlet box has a ground wire (green or bare copper), connect the fixture's ground wire to it. Otherwise, connect the fixture ground wire directly to the circular strap using the green screw provided.

## COMPLETING THE INSTALLATION (Fig. 1)

12. Place the Canopy (H) over Mounting plate (A) and fasten with screws (G).
13. Hang the crystal drops (P) and the crystal ball (S) to proper position of fixture body (Q).
14. Place the tube (N) over the socket of the fixture body (Q).
15. Install the light bulb(s) (O) (not included) in accordance with the fixture's specifications. **(DO NOT EXCEED THE MAXIMUM WATTAGE RATING!). (NE PAS DEPASSER LA PUISSANCE NOMINALE MAXIMALE!)**

Your installation is now complete. Return power to the junction box and test the fixture.

**Note: Illustration (Fig. 1) on this manual is for installation purposes only. It may or may not be identical to the fixture purchased.**

Fig. 1

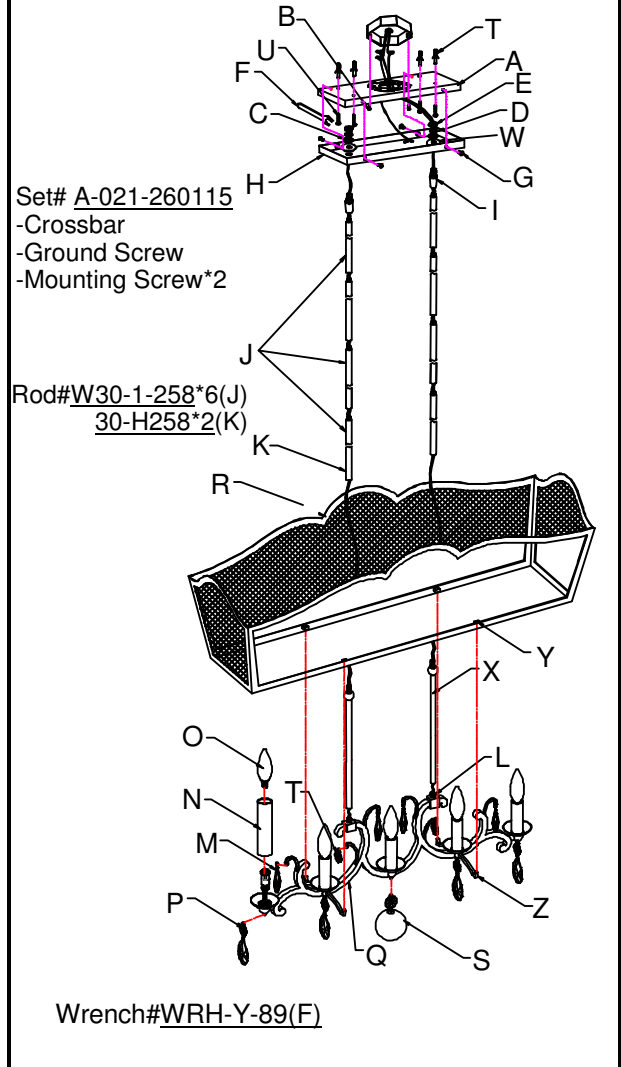
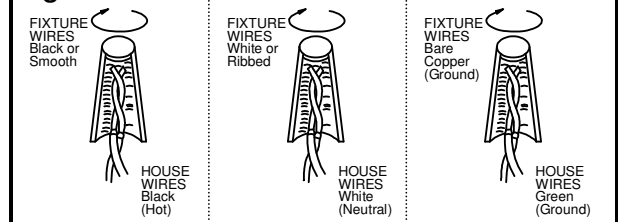


Fig. 2



© 2015 Minka Lighting, Inc.

This product is protected by United States Federal and/or State Law, including Patent and/or Copyright laws."