

LAVATORY FAUCET

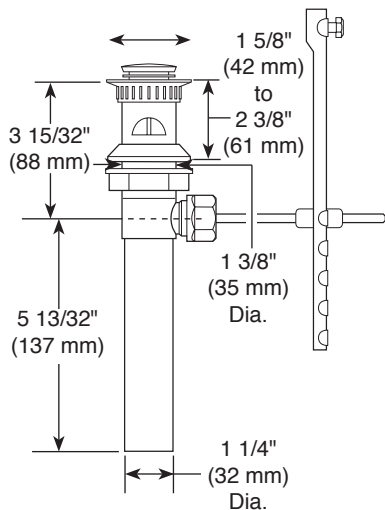
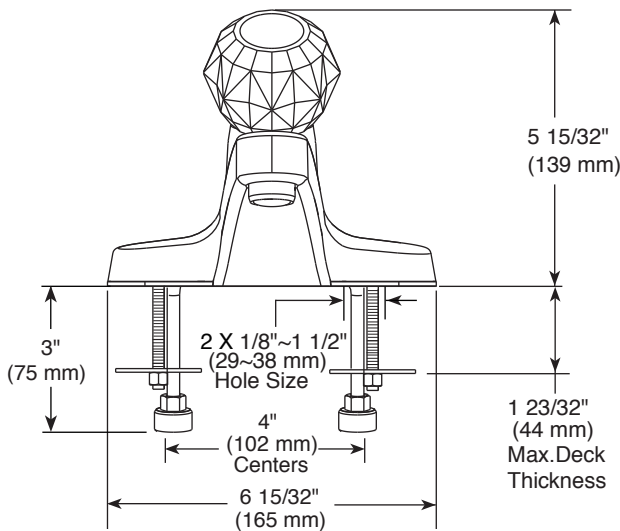
- Single handle, knob, centerset lavatory faucet with plastic pop-up drain assembly.

STANDARD SPECIFICATIONS:

- Maximum flow rate 1.20 gpm @ 60 psi, 4.54 L/min @ 414 kPa
- Two or three hole mount
- Control mechanism is the rotating ball type with replaceable non-metallic seats
- Control handle returns to neutral position when valve is turned off
- 1/2"-14 NPSM threaded male inlet adapters

WARRANTY

- Lifetime limited warranty on parts (other than electronic parts and batteries) and finishes; or for commercial users, for 5 years from the date of purchase.
- 5 year limited warranty on electronic parts (other than batteries); or for commercial users, for 1 year from the date of purchase. No warranty is provided on batteries.



COMPLIES WITH:

- ASME A112.18.1 / CSA B125.1
- ASME A112.18.2 / CSA B125.2
- EPA WaterSense®
- Verified compliant with 0.25% weighted average Pb content regulations.