

## GR Four-Hole Roman Tub Filler Trim

### FEATURES

- Lever handles
- Brass construction
- Includes handshower outlet and shower hose
- For use with four-hole roman tub filler rough-in (TBN01202U)
- Handshower sold separately

### REQUIRED COMPONENTS (Sold Separately)

- TBN01202U  
Four-Hole Roman Tub Filler Rough-In

### Recommended Handshowers

- TBW02010U4  
Square Handshower 1 Mode (1.75gpm)
- TBW02015U4  
Square Handshower 3 Mode (1.75gpm)
- TBW02016U4  
Cylindrical Handshower 1 mode (1.75gpm)

### COLORS/FINISHES

- #CP Polished Chrome
- #BN Brushed Nickel

### PRODUCT SPECIFICATION

Tub filler trim shall have a brass construction. Product shall have lever handles. Product shall include shower hose. Product shall require handshower, sold separately. Product requires TBN01202U rough-in, sold separately. Product shall be TOTO Model TBG02202U#\_\_\_\_\_.

### CODES/STANDARDS

- Meets or exceeds ASME A112.18.1/CSA B125.1
- Certifications: IAPMO(cUPC), State of Massachusetts and others
- Code Compliance: UPC, IPC, NSPC, NPC Canada, and others
- ADA Compliant



# TBG02202U

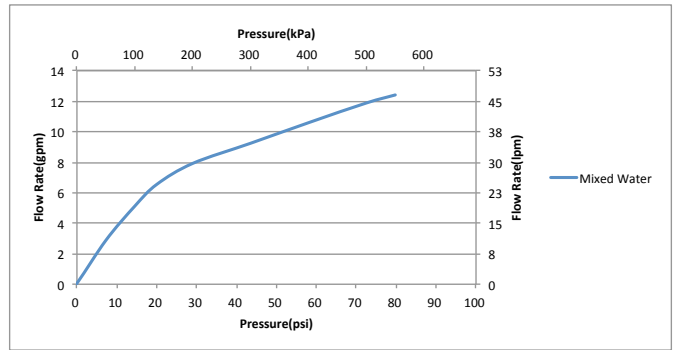
## GR Four-Hole Roman Tub Filler Trim

### SPECIFICATIONS

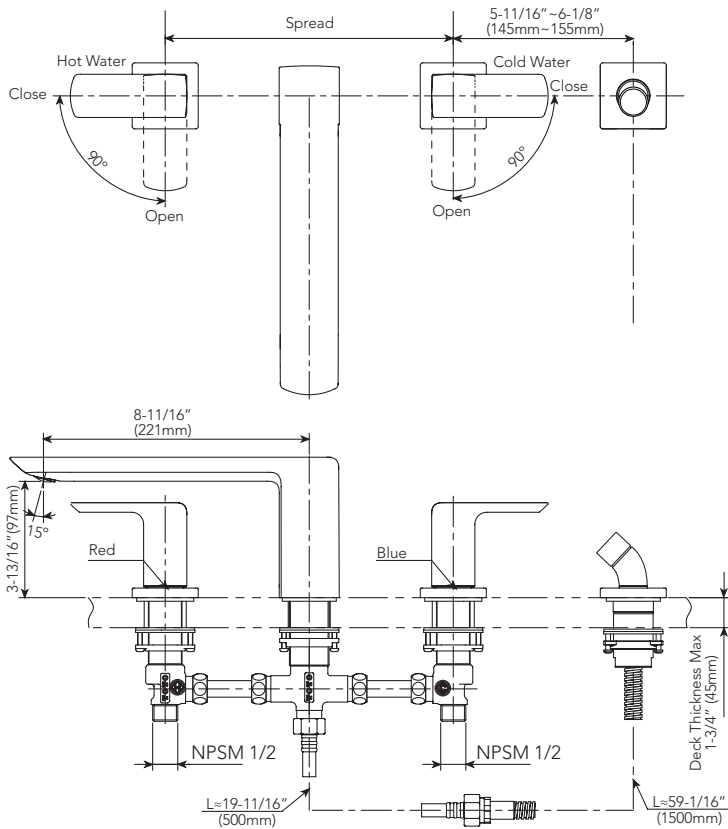
<b>Material</b>	Brass
<b>Warranty</b>	Lifetime Limited Warranty (Residential Use) One Year (Commercial Use)
<b>Shipping Dimensions</b>	21" x 9-3/4" x 3-1/2"
<b>Shipping Weight</b>	8.95 lbs

### INSTALLATION NOTES

- Check local codes for requirements on installing an ASSE 1070/ASME A112.1070/CSA B125.70 compliant device in series with the tub filler
- Requires hand shower (sold separately)
- Four-hole roman tub filler rough-in TBN01202U sold separately
- Please refer to the TBN01202U spec sheet for more required installation details



### DIMENSIONS



**TOTO**®

These dimensions and specifications are subject to change without notice

Ph: (888) 295-8134 | Fax: (800) 699-4889 | www.totousa.com | © TOTO USA

# SS-01277 v.01