
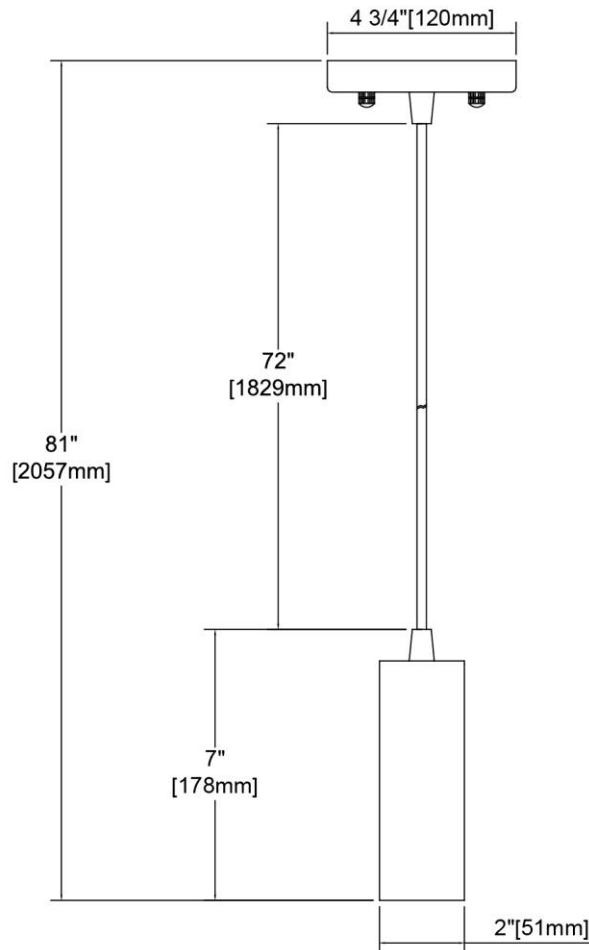


| | | |
|---|--------------------|---|
|  | ITEM #: | 15415/1 |
| | UPC | 748119135076 |
| | Description | Kempton 1-Light Mini Pendant in Matte Black |
| | Finish | Matte Black, Satin Brass |
| | Materials | Steel |
| | Brand | ELK Lighting |
| | Collection | Kempton |
| | Category | Indoor Lighting |
| | Type | Mini Pendant |

| ITEM DIMENSIONS | | | | RATINGS & SPECIFICATIONS | | | | |
|---------------------------|---------------|-------------|-----------|--------------------------------|-----|----------------|------------------------|-------------------|
| Width | 2 inches | | | Safety Rating | UL | | Certification | Dry locations |
| Depth | 2 inches | | | ADA Compliant | N/A | | Voltage | 120 |
| Height | 7 inches | | | BULBS / SOCKETS | | | | |
| Weight | 2 pounds | | | Quantity | 1 | Wattage | 50 watts | |
| ADDITIONAL DIMENSIONS | | | | Included | Yes | | Type | MR16 (GU10 Base) |
| Backplate / Canopy | 4.75 diameter | | | Other | N/A | | | |
| HCWO | N/A | | | CHAIN / CORD INFORMATION | | | | |
| Min. Extension | N/A | | | Chain | N/A | | Cord | 72 inches - Black |
| Max. Extension | N/A | | | SHADE / GLASS DETAILS | | | | |
| OVERALL HEIGHT | | | | Shade/Glass Description | N/A | | | |
| Min. | 8 inches | Max. | 81 inches | Width | N/A | | Height | N/A |
| EXTENSION ROD(S) | | | | Width at Top | N/A | | Width at Bottom | N/A |
| N/A | | | | | | | | |



Rev. 5/13/2019