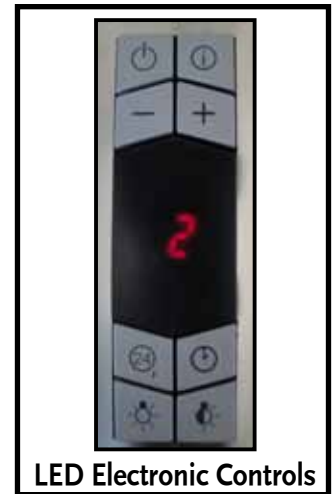


Cylindra Isola Island Range Hood

FABER

ON AIR. SINCE 1955

Luxurious stainless island cylinder hood



LED Electronic Controls

The Cylindra Isola island hood featuring a stainless steel cylinder with state of art LED push button controls and the innovative perimetric suction system to decrease sound and improve efficiency. Use the stainless cylinder alone or add more style and decorative elements with the optional glass kit.

Model #	Size Color	Performance Range	Sound Levels
CYLNIS15SS	15 Stainless	60 - 600 CFM	0.5 - 5.0 sones



Feature Chart

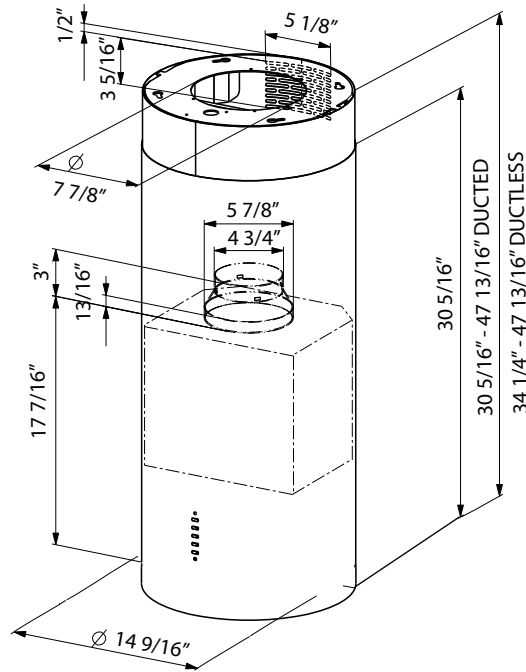
Min. / Max. Ceiling Height (Ducted)	7' 6 5/16" - 8' 11 13/16" (at 24" off stove recommended)
Min. / Max. Ceiling Height (Ductless / Recirculating)	7' 10 1/4" - 8' 11 13/16" (at 24" off stove recommended)
Convertible to Recirculating	Yes - charcoal kit needed
Controls	4 speed LED digital control
Lighting	2 X 20 (W) Halogen + Dimmer
Ducting Top & Direct Rear Venting	6" Round
Grease Filters	dishwasher safe mesh
Pro Motor with Metal Impellers	Yes
Perimetric Suction System / Silent Kit	Yes
24 hour anti-pollution mode	Yes
30 minute auto shut off	Yes
Grease Filter Wash indicator	Yes
10 Minute Intensive Speed	Yes
AC Input	120 V - 60 hz
AC Power	Max 490 W at 4.1 A
Green Energy Saver Mode	Yes
Annual Electricity Costs	\$5.29 / Year *

p.o. box 435 • Wayland, MA 01778 • tel: (508) 358-5353 • fax: (508) 358-5730 • e-mail: info@faberonline.com • www.faberonline.com

* Note – ran 30 minutes a day on low speed with the lights on, 365 days, using the North American average of 12.2 cents per kWh.

Dimensional Diagrams

(see installation instructions for more information)



min & max ceiling heights	
x = range hood height above cook top	
Ducted	Ductless
$x = 24''$	$x = 24''$
min	min
7' 6 5/16"	7' 10 1/4"
max	max
8' 11 13/16"	8' 11 13/16"

ACCESSORIES

Glass Kit (36" x 25") # GLSCYLNIS

Flat glass "canopy" attaches to the bottom of the stainless cylinder to increase capture area and add design and flair



Charcoal Filter # FILTER2

For ductless installations, high quality, heavy duty filters ensure the removal of smoke and odors from the kitchen.



Remote Control # REMCTRL

Optional wireless remote control to operate all hood functions



CFM Reducer Kit # CFMRED

Reduces CFM to under 300 cfm for makeup air environments



Universal Make-Up Air Damper # MUDAMPER6 / MUDAMPER8 (6") (8")

Satisfies current make-up air requirements, this kit uses an air switch above the hood to activate the make-up air damper to open and bring fresh air into the home whenever the hood fan is operating and then close tightly when the hood is off. The CFM level is not reduced by using this kit.

