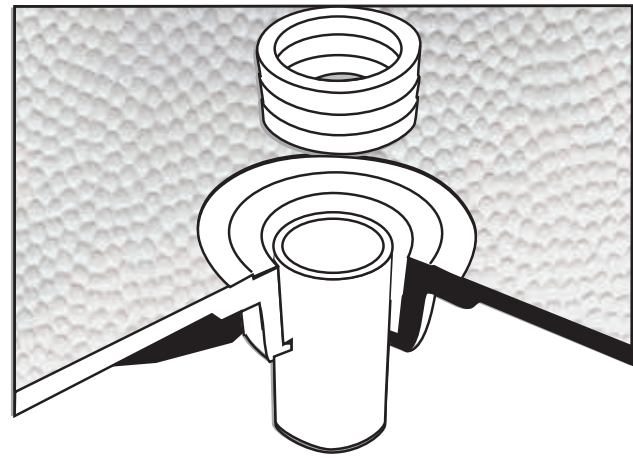


**Florestone Saflor®
Molded Receptors
Installation
Instructions**

1. Examine sub-floor shower area for movement and/or squeaks. Fix any problems encountered.
2. Integral drain requires minimum 5" diameter by 2¼" deep recess in sub-floor for adequate clearance.
3. Level and plumb pan on sub-floor. Shim or use mortar if needed to compensate for out of level sub-floor.
4. Install Wedge-Lok® seal. Use soapy water to lubricate.
5. Do not nail or screw into tiling flange. May cause tiling flange to crack or break.
6. Pour water into shower pan to test for proper drainage upon connection of wastepipe prior to finishing walls.

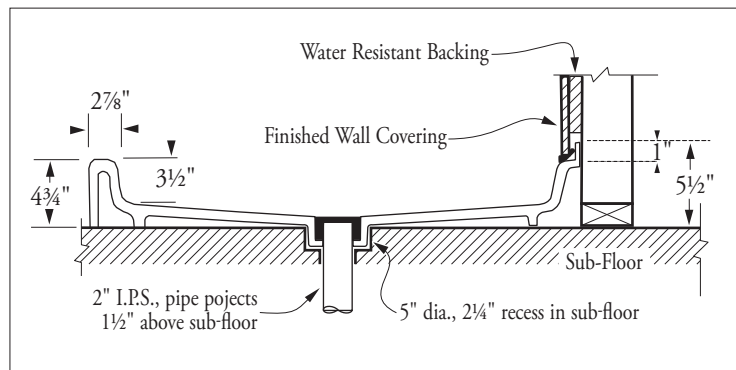
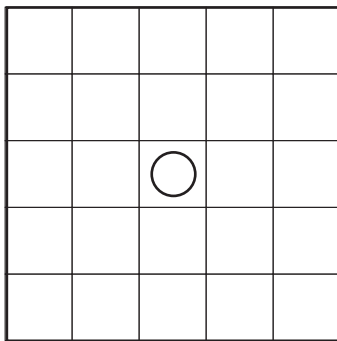


Exclusive Wedge-Lok® Seal

Florestone Saflor Shower Receptors come with an integral drain molded into the receptor, eliminating the need for a separate drain. The exclusive seal is easily installed without special tools. No caulking, no mess, no places to leak. Drain will also accept conventional lead joint.

2" I.P.S. **Wedge-Lok®** Seal fits plastic and steel only. For copper waste, specify **Josam Jiffy-Joint™** or equal. For cast iron, **Josam Jiffy-Joint™** or equal may be required because of OD variance. Specify for copper or cast iron pipe.

Bottom



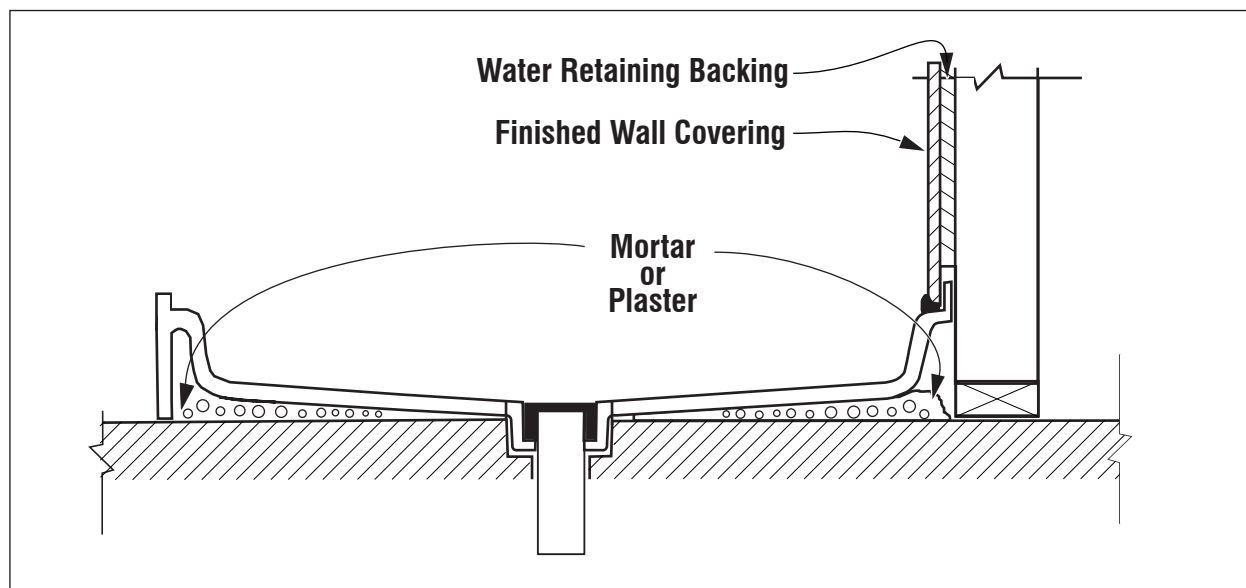
FLORESTONE PRODUCTS CO., INC.

2851 Falcon Drive • Madera, CA 93637

T. 559.661.4171 • T. 800.446.8827

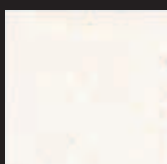
F. 559.661.2070 • florestone.com

Molded Fiberglass Shower Receptors Installation Instructions

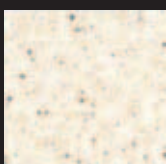


1. Examine sub-floor shower area for movement and/or squeaks. Fix any problems encountered.
2. 101 PNC drain requires minimum 5" diameter by 2¼" deep recess in sub-floor for adequate clearance.
3. Place receptor on a minimum ¼" bed of mortar or plaster for warranty compliance.
4. After attaching drain, use water and check for proper drainage before finishing walls.

SPECIAL GRANITE COLORS:



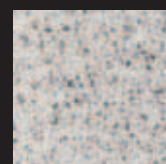
**Florestone
Vanilla**



**Florestone
Crushed Almond**



**Florestone
Sandy Beach**



**Florestone
Pewter**



FLORESTONE PRODUCTS CO., INC.

2851 Falcon Drive • Madera, CA 93637

T. 559.661.4171 • T. 800.446.8827

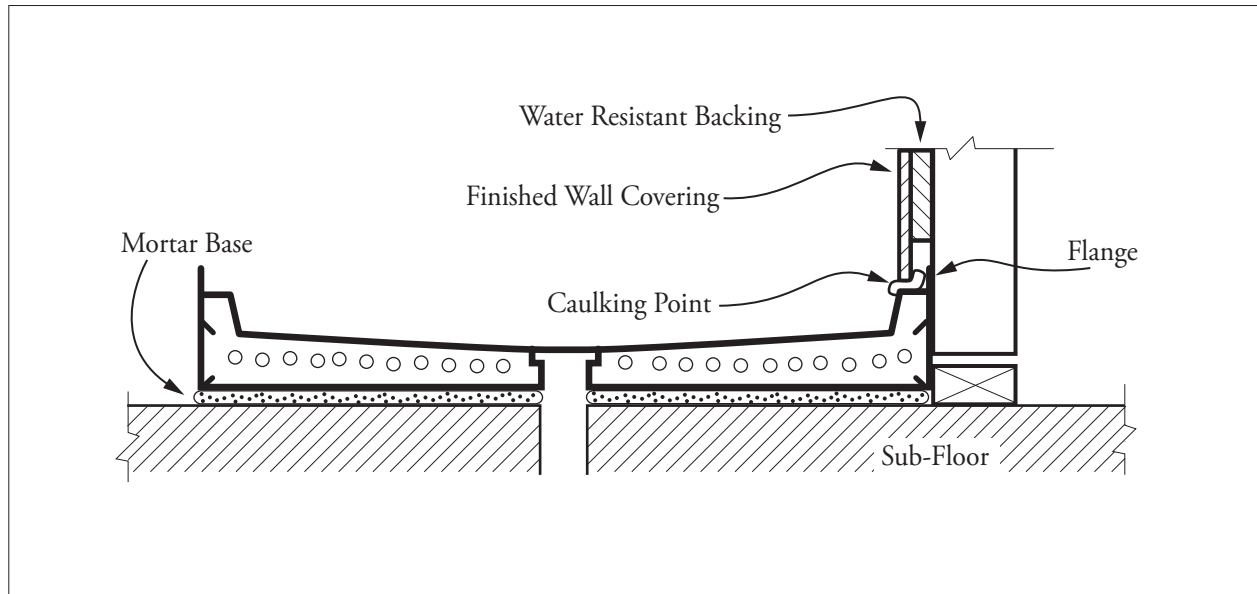
F. 559.661.2070 • florestone.com

Dimensions subject to change without notice.

**Contact Florestone Products to
verify product specifications.**

**Dimensions may vary ± 1/4" inch.
Please check unit before installation.**

Florestone Terrazzo Shower Receptors Installation Instructions



1. Dimensions may vary slightly in terrazzo products. For rough-in, allow $\frac{1}{4}$ " more in height and $\frac{3}{8}$ " more in width than the dimensions shown on drawings.
2. Examine sub-floor shower area for Movement and/or squeaks. Fix any problems encountered.
3. Place receptor on a minimum $\frac{1}{4}$ " bed of mortar or plaster for warranty compliance.
4. Level and plumb pan on sub-floor, front to back, right to left.
5. After attaching drain, use water and check for proper drainage before finishing walls.

Note:

On the Model 400 and 500 Series, an exterior floor drain is recommended.

Dimensions may vary $\pm \frac{1}{4}$ " inch. Please check unit before installation.



FLORESTONE PRODUCTS CO., INC.

2851 Falcon Drive • Madera, CA 93637

T. 559.661.4171 • T. 800.446.8827

F. 559.661.2070 • florestone.com