



V006

DOUBLE WALL MOSAIC

DETAILS

Mosaic Interior

Installation Type: Vessel Mount

AVAILABLE FINISHES (RIM)

DB	Dark Bronze	Drain Flange grouted into place, tail piece and parts are shipped with sink.
WC	Weathered Copper	
PN	Polished Nickel	
SN	Satin Nickel	

SPECIFY WHEN ORDERING

A	Single Color
AR	Single Color Random
B	Polka Dot
C	Star
D	Swirl
E	Windows
F	Confetti
FR	Random Confetti
G	Stripes

Tile Color By Number

Numbers are grouped by height. Only choose tiles with same height.	
1-12	Venetian Glass (call for pricing)
13-17	Tumbled Stone
18-20	Mother of Pearl

AVAILABLE DRAINS

D004	Grid Strainer
D005	Lift & Turn
D101-D720	Decorative Drains

INSTALLATION

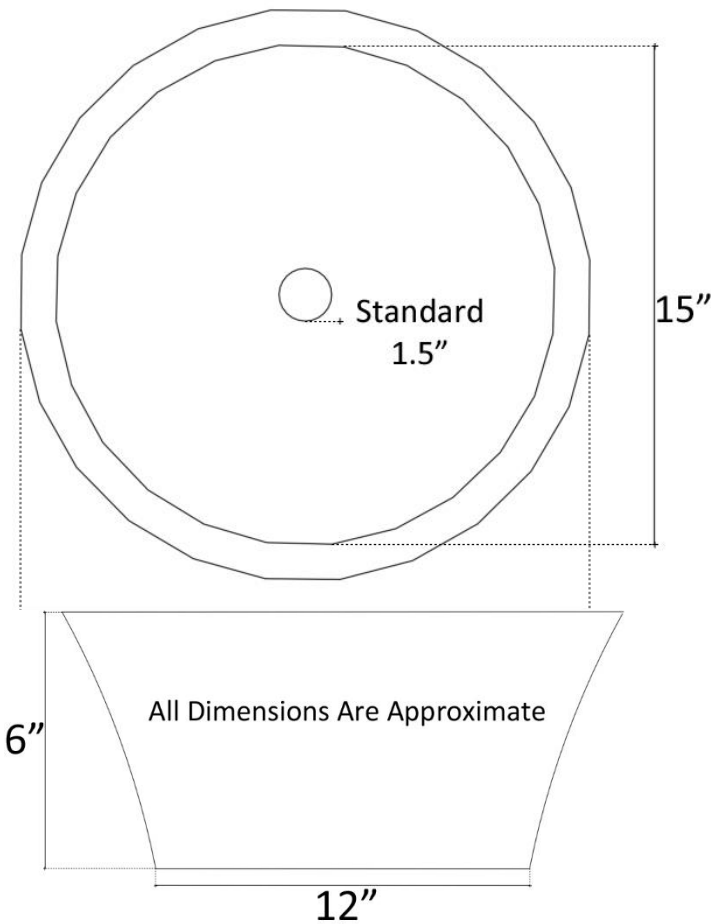
Drain should be installed first.
DROP-IN: Cut opening large enough for the sink to be "dropped in" to countertop.
UNDERMOUNT: Cuts in countertop are up to the discretion of the installer. Clips or other installation method must be provided by the fabricator/installer.
 Use 100% silicone to adhere sink to countertop.

CARE

Clean with mild soap. No abrasive chemicals

WARRANTY

Linkasink warranties our product to be free from manufacturing defect for the life of the product. Warranty does not cover abuse.



DIMENSIONS WILL VARY

DO NOT use this sheet as a guide for countertop cuts. Due to the handmade nature of each product, templates are not provided.

Contact: 1.866.395.8377 sales@linkasink.com
 Linkasink may make changes to specifications without notice.
 Visit linkasink.com for updated specification sheet.
 5/1/2019