

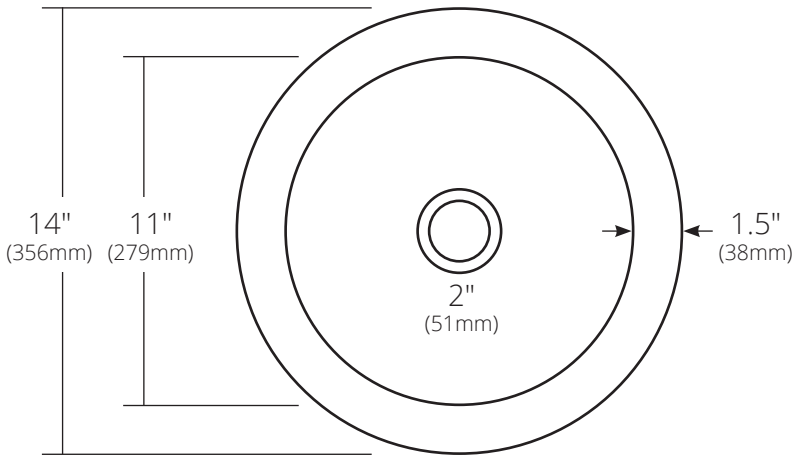
SPECIFICATIONS

MALIBU

NativeStone® Collection



TOP VIEW



- NSB1407-A Ash
- NSB1407-S Slate
- NSB1407-P Pearl
- NSB1407-E Earth

PRODUCT DETAILS

- 14" x 7" OD (356mm x 178mm)
- 11" x 6.25" ID (279mm x 159mm)
- 2" (51mm) drain opening
- Handcrafted from sustainable NativeStone®
- Sealed with impermeable nano sealer

INSTALLATION

- Drop-in or Undermount

COORDINATING PRODUCTS

- Drains: DR220
- NativeStone® Sealer

STANDARDS COMPLIANCE

- UPC/cUPC compliant

IMPORTANT

Do NOT use tape or other adhesives on NativeStone® as it may remove the sealer.

Due to the handcrafted nature of this product, it will vary in finish, texture, and other details. Dimensions may vary up to .25" (6mm).

SIDE VIEW

