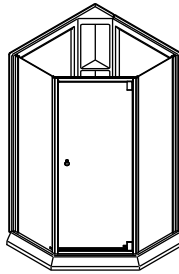


Installation Guide

Neo-angle Shower

2375 Series

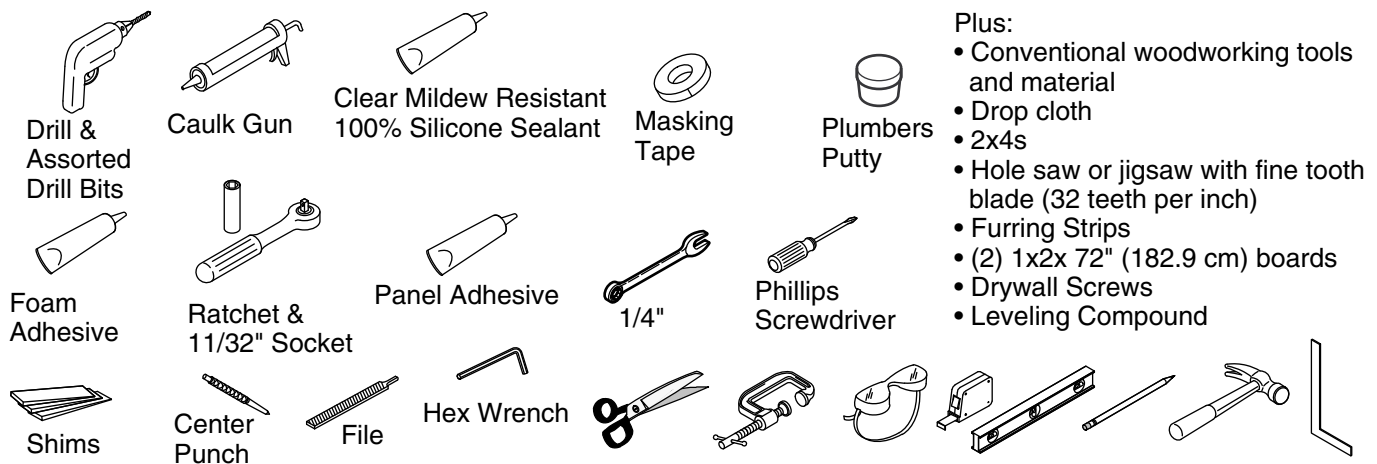


Français, page "Français-1"
Español, página "Español-1"

STERLING
A KOHLER COMPANY

1100676-2-F

Tools and Materials



Before You Begin



WARNING: Risk of serious injury. Damage prior to installation can result in glass shattering. Inspect the glass and all parts for damage before installation.



WARNING: Risk of serious injury. Improper installation can result in glass shattering. Follow all installation instructions.

NOTICE: Do not touch the edges of the tempered glass with tools or any other hard objects. Do not set the unframed tempered glass directly on the floor or any hard surface.



WARNING: Risk of serious injury. Do not cut tempered glass. Tempered glass will shatter if cut.



WARNING: Risk of serious injury. Shower door and side panels can shatter. Regularly inspect the glass and all parts for damage, missing or loose parts.



WARNING: Risk of serious injury. Always wear safety glasses while cutting and drilling.

IMPORTANT! Leave this manual for the end user. Read these instruction before installing or using this product.



CAUTION: Risk of property damage. Select panel adhesive recommended for use with polystyrene surfaces. This will ensure that the wall panels properly adhere to the walls.



CAUTION: Risk of property damage. Select sealant recommended for use with polystyrene surfaces. This will ensure that the side fixed panels and the lower bridge member seal to the shower wall panels.

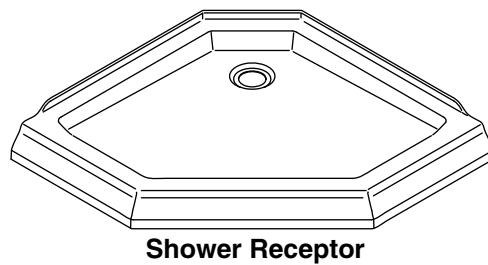
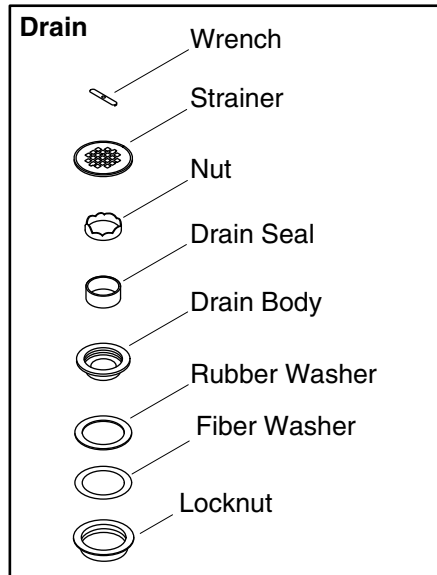
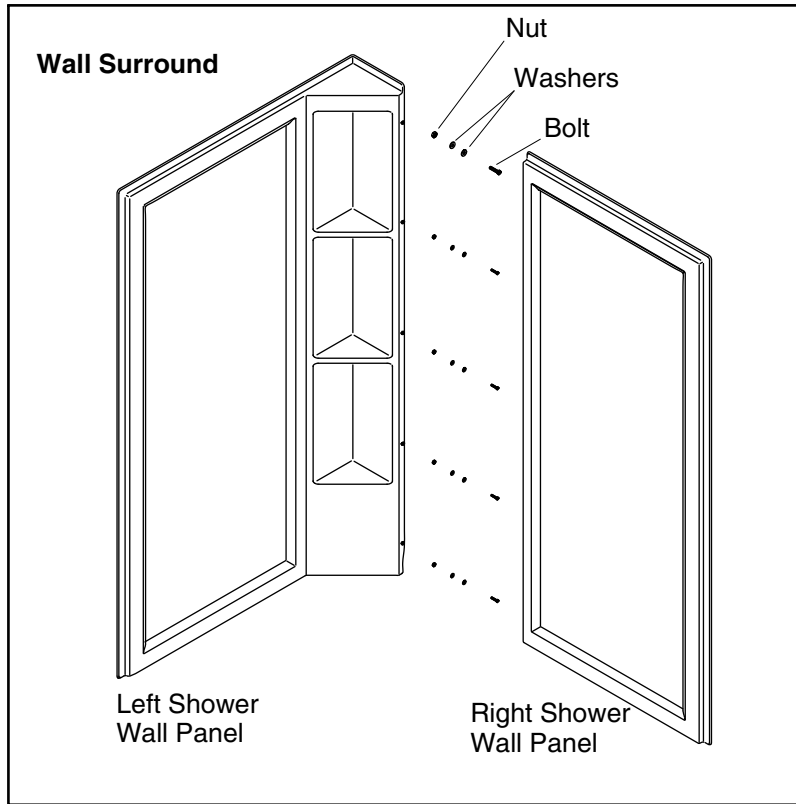
NOTICE: This shower door is designed to be specifically paired with a Sterling shower module. Do not install this shower door if you do not have a Sterling shower module installed.

IMPORTANT! This door is designed to accommodate walls that are less than 3/8" (10 mm) out of plumb. Verify the area the door will be attached to is within 3/8" (10 mm) or better of plumb. The door may not function properly if the wall is more than 3/8" (10 mm) out of plumb.

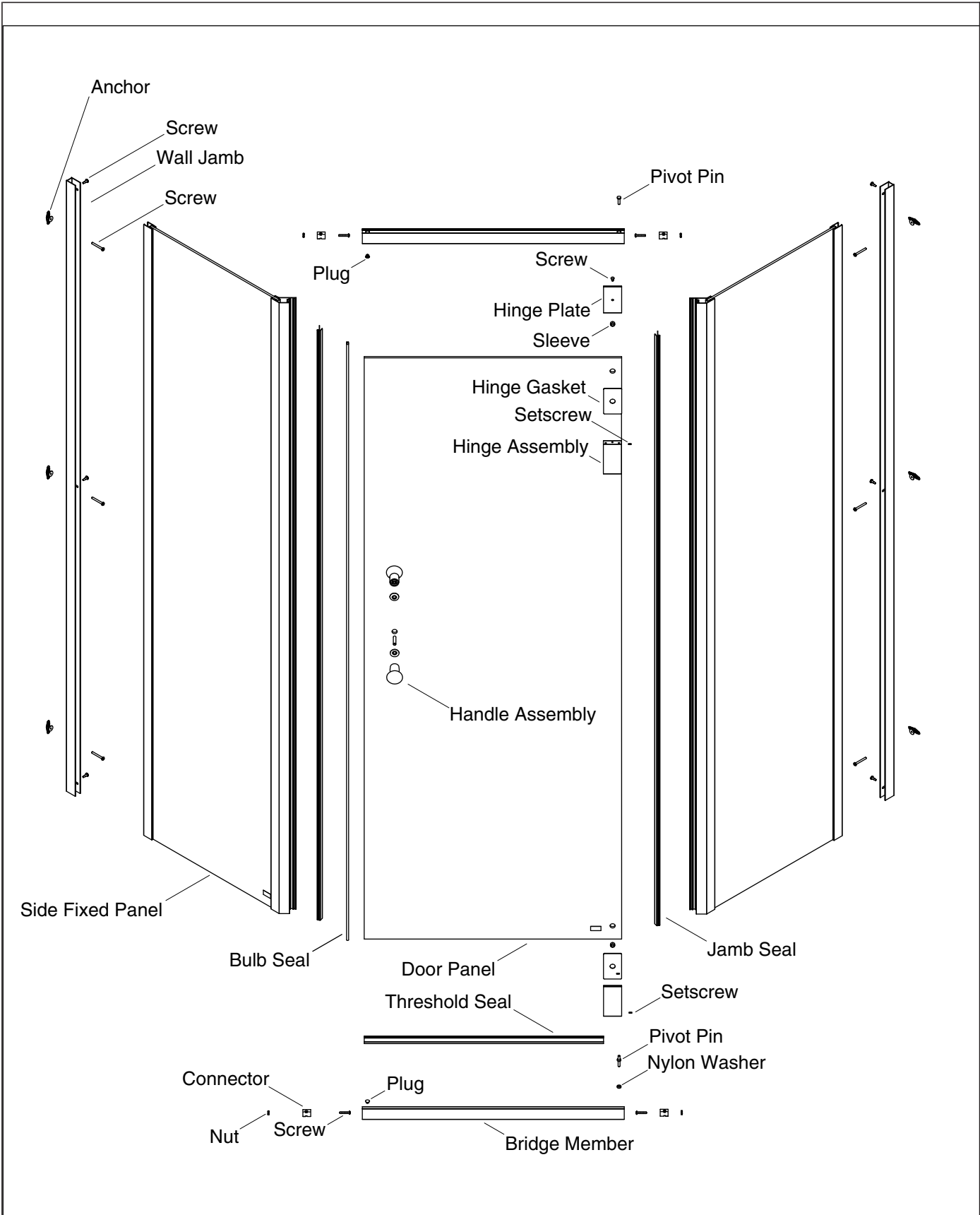
- Check all local building codes prior to installation.
- The shower walls can be installed directly to the studs or over water-resistant wall material.
- The shower door can be installed with the door opening to either the right or left. Install the door with the pivot side away from the showerhead for best results.

Before You Begin (cont.)

- The illustrations and instructions in this guide are for right pivot installations. Left pivot installations will be opposite of what is illustrated and described unless specific directions are given.
- Lay out and identify all of the parts. Inspect them for damage.
- Return the glass panels to their packaging and place them in a safe area until they are needed.
- If you are replacing an existing fixture, confirm the new model will fit before removing the old fixture.
- Do not install the shower over open floor joists.
- Sterling reserves the right to make revisions in the design of products without notice, as specified in the Price Book.



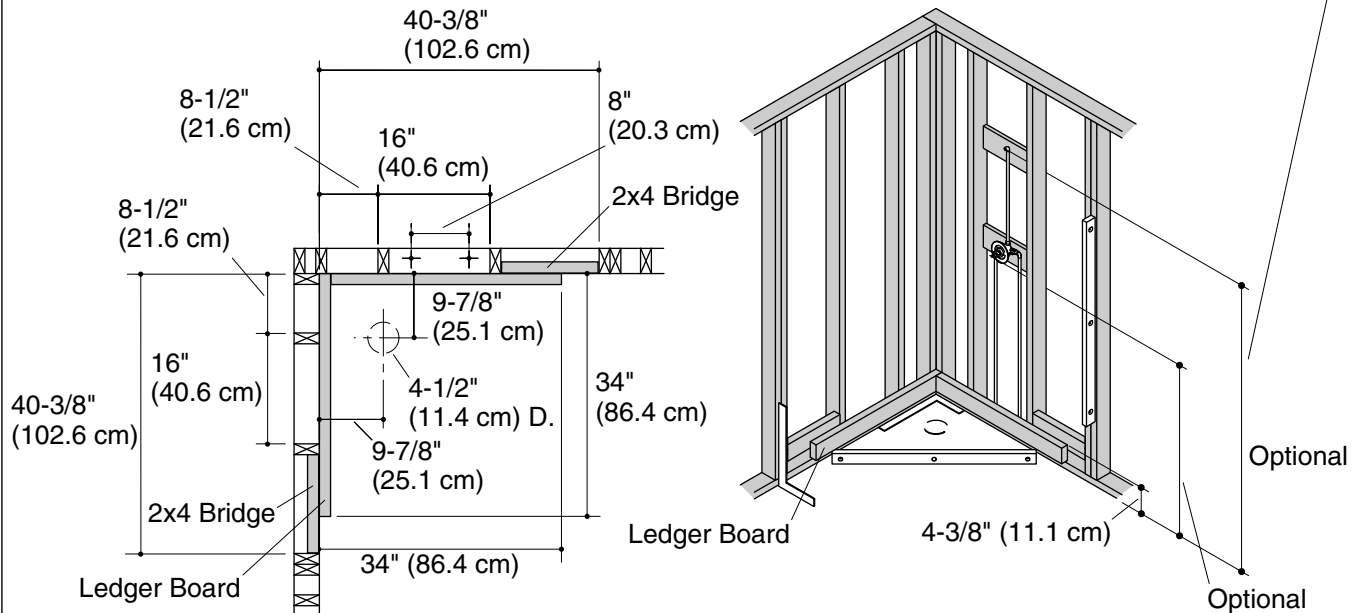
Parts Identification



Parts Identification

Note: The control should be centered between the studs. Adjustment of the control plumbing and location may be needed if the wall is not plumb.

Note: This dimension is for mounting the showerhead in the top of the shower wall. If you are mounting the showerhead above the shower wall, disregard this dimension and adjust the plumbing accordingly.



1. Construct the Stud Framing

NOTE: Check the dimensions of the showerhead trim ring if possible. If the diameter of the trim ring exceeds 2-1/8" (5.4 cm), then mount the shower arm above the shower wall in an appropriate spot.

- The showerhead may be installed in the shower wall or above the shower wall. Take into account the height of the shower users when determining the installation location. The dimensions provided are for a shower wall installation only.
- Construct the framing according to the roughing-in and framing diagrams.

NOTE: If the framing is different from that shown, additional bracing may be required to ensure proper wall adhesion.

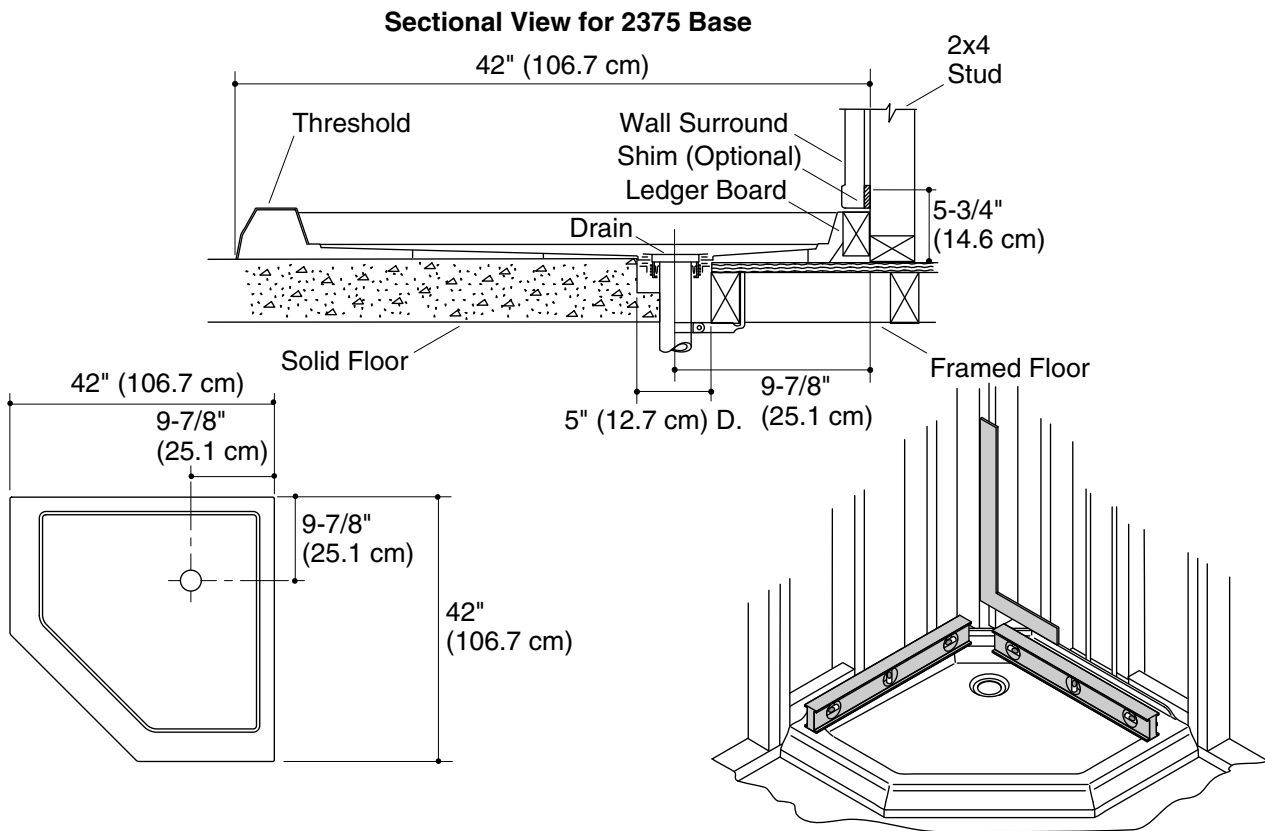
- Add any bridging or support needed if you are installing grab bars or towel bars. Refer to the accessory manufacturer's instructions.
- Add 2x4 bridging between the studs nearest to the front edges of the receptor on each wall at a center height of 5" (12.7 cm). The receptor nailing flange will attach to the bridging and studs.
- Cut a 2x4 ledger board to 34" (86.4 cm) long and cut a second 2x4 ledger board to 32-1/2" (82.6 cm) long.
- The top of the ledger boards should be 4-3/8" (11.1 cm) above the subfloor. Attach the ledger boards to the studs to provide rim support. Attach the 34" (86.4 cm) board first, then the shorter board so it butts against the first board.
- The plumbing may be installed in the shower wall or above the shower wall. The supplied dimensions should be used on either wall.
- If the unit is installed against a masonry wall, use furring strips to secure the unit. The furring strip configuration should match the stud configuration shown.

Construct the Stud Framing (cont.)

- **If installation is over water-resistant wall material**, insert wall anchors where bridging was added between the studs and secure the shower receptor nailing flange to the wall.

2. Install the Plumbing

- Locate the drain according to the dimensions shown above. Measure and cut the drain hole opening in the floor and install the rough drain lines.
- Install the rough plumbing at the dimension shown above. The rough plumbing should be installed before the unit is installed.



3. Locate the Drain Pipe and Shower Receptor

Locate the Drain Pipe

NOTE: The drain system is designed for a 2" (51 mm) drain pipe that is flush with the subfloor.

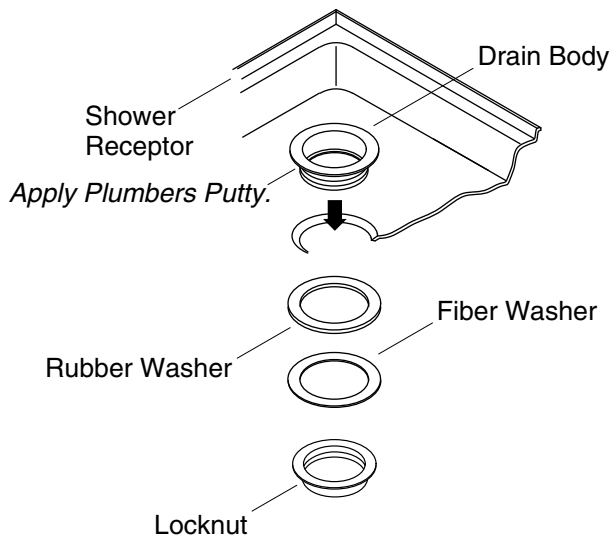
- Determine the location of the drain pipe using the dimensions illustrated.
- Cut a 5" (127 mm) to 5-1/2" (140 mm) hole in the subfloor. This will provide adequate clearance for the drain system.
- Install the drain pipe according to the dimensions shown in the illustration above. Verify the drain pipe is self-supporting and strapped down.

Locate the Shower Base

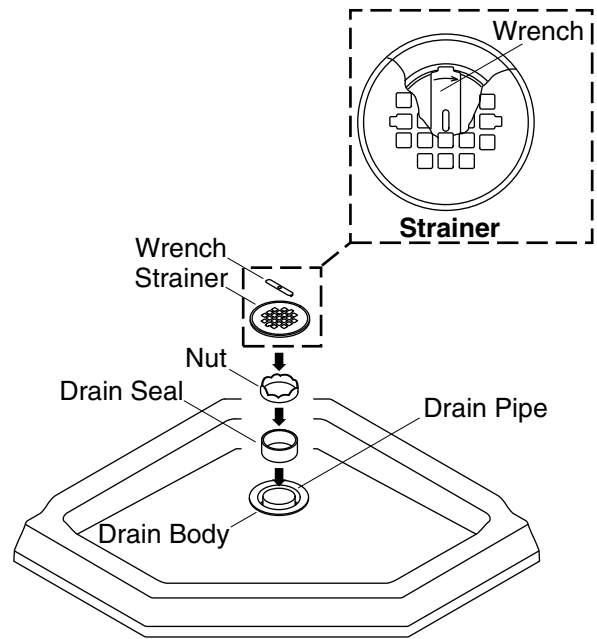
NOTE: The subfloor under the shower base must be level. Adjust the subfloor with leveling compound as needed. Do not shim.

- Place the shower base firmly against the two adjacent walls.
- Verify the shower base is flush against the studs.
- If the shower base is not flush against the studs, use shims between the nailing flange and stud wall as needed.

Assemble Drain Body to Shower Receptor



Complete Drain Body Installation



4. Install the Drain Body

NOTE: To ease the installation, get assistance lifting the shower base.

Assemble Drain Body to Shower Base

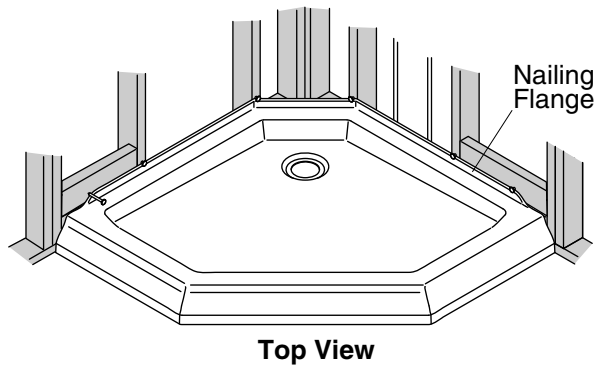
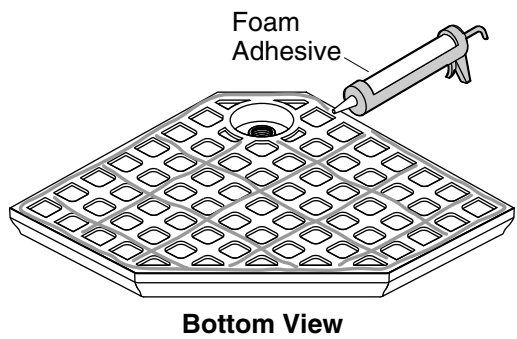
- Apply plumbers putty to the underside of the drain lip and insert the drain body through the shower base.
- Slide the rubber washer, and fiber washer onto the drain body from underneath the shower base.
- Secure the drain body to the shower base with the locknut.

Position Shower Base

- Position the shower base over the drain pipe.

Complete Drain Body Installation

- Insert the drain seal and nut into the drain pipe.
- Using the wrench provided, turn the nut clockwise until the drain seal is compressed. Remove the wrench.
- Set the strainer into the drain body.



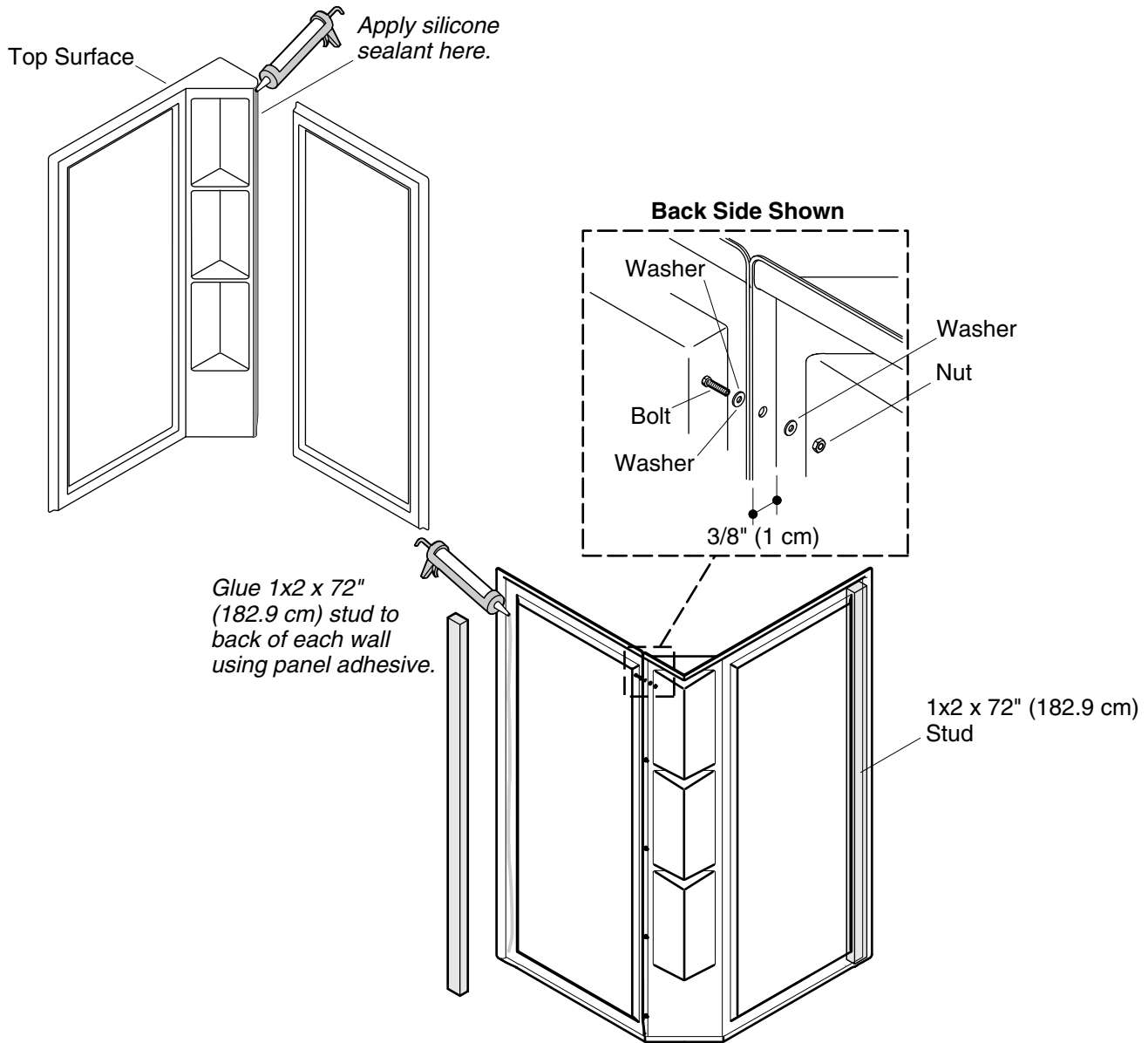
5. Secure the Shower Receptor

IMPORTANT! If the shower receptor is not level, correct door alignment will be difficult to achieve.

- Confirm the shower receptor is level. If required level the shower receptor.
- Apply beads of foam adhesive on the ridges on the bottom of the shower receptor.
- Reposition the shower receptor and press down firmly to ensure good adhesive contact.

IMPORTANT! When using a drill to install the screws, make sure the drill does not contact the shower receptor. It will damage the surface.

- Locate and drill 3/16" clearance holes in the vertical center of the nailing flange, centered on each stud.
- Using screws, secure the receptor to the studs and bridging through the clearance holes.



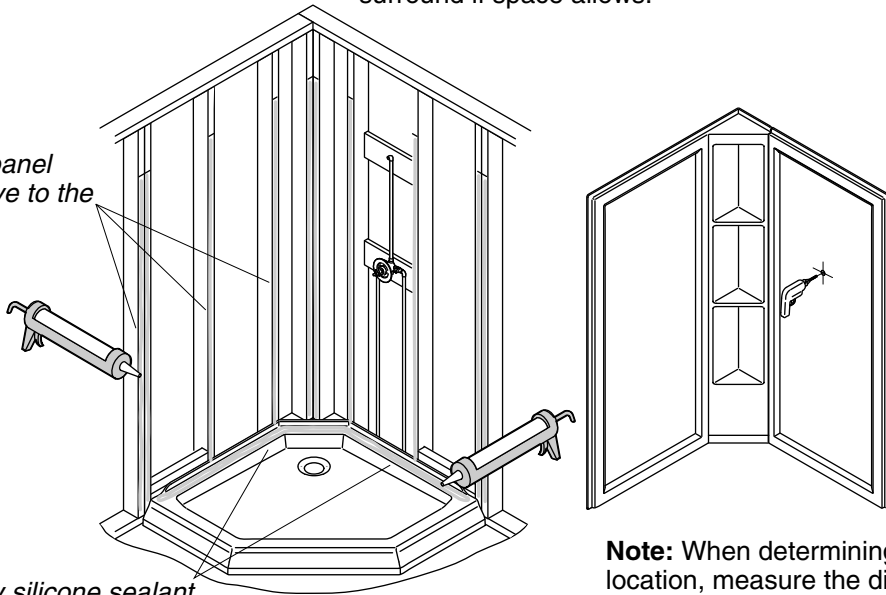
6. Assemble the Wall Surround

- If the valving has not been installed, install it now following the valve manufacturer's instructions.
- Position the shower wall panels upright on a clean, flat surface with the flanges aligned as shown.
- Ensure the shower wall panels are both resting flat on the floor.
- Apply a **minimum** 1/4" (6 mm) bead of clear mildew-resistant 100% silicone sealant on one of the mating surfaces between the shower wall panels.
- Reposition the walls together and assemble the bolt, washers, and nut at each location.
- Tighten the fasteners using a 1/4" wrench and a ratchet with a 11/32" socket. Do not overtighten.
- Remove excess sealant.
- Attach a 1x2 x 72" (182.9 cm) stud to the back outer edge of each shower wall panel with panel adhesive to provide a solid attachment for the wall jambs.

Note: If the showerhead trim ring is larger than 2-1/8" (5.4 cm) diameter, it is recommended that the showerhead be installed above the top edge of the wall surround if space allows.

Water Supply Valve Hole
Pilot Hole

Apply panel adhesive to the studs.



Apply silicone sealant to the shower receptor.

Cut the valve stem hole(s) from the front of the wall panel.

Note: When determining the valve cut-out location, measure the distance from the top ledge of the shower receptor.

7. Cut the Supply Holes



CAUTION: Risk of product damage. Check and recheck the valve and showerhead locations before drilling. The hole(s) must be in the correct location.



CAUTION: Risk of injury. Wear safety glasses while cutting or drilling.

- Mark the center of the supply valve on the front side of the appropriate shower wall panel. When determining the valve cutout location, measure the distance from the top ledge of the shower receptor.
- The holes should align with the rough plumbing dimensions from the "Construct the Stud Framing" section, and should be on the centerline of the wall panel at the correct distances from the floor.
- Refer to the valve manufacturer's instructions for proper hole size. Ensure the valve cover plate is large enough to cover the holes.
- Drill 1/4" (6 mm) pilot holes at the marked locations on the appropriate shower wall panel.
- From the finished surface of the shower wall panel, cut the holes required for the valving. A hole saw is preferred, but if the correct size is not available it can be cut using a jigsaw with a fine tooth blade.
- Protect the finished surface with masking tape before cutting.

8. Seal the Shower Receptor and Prepare the Stud Wall

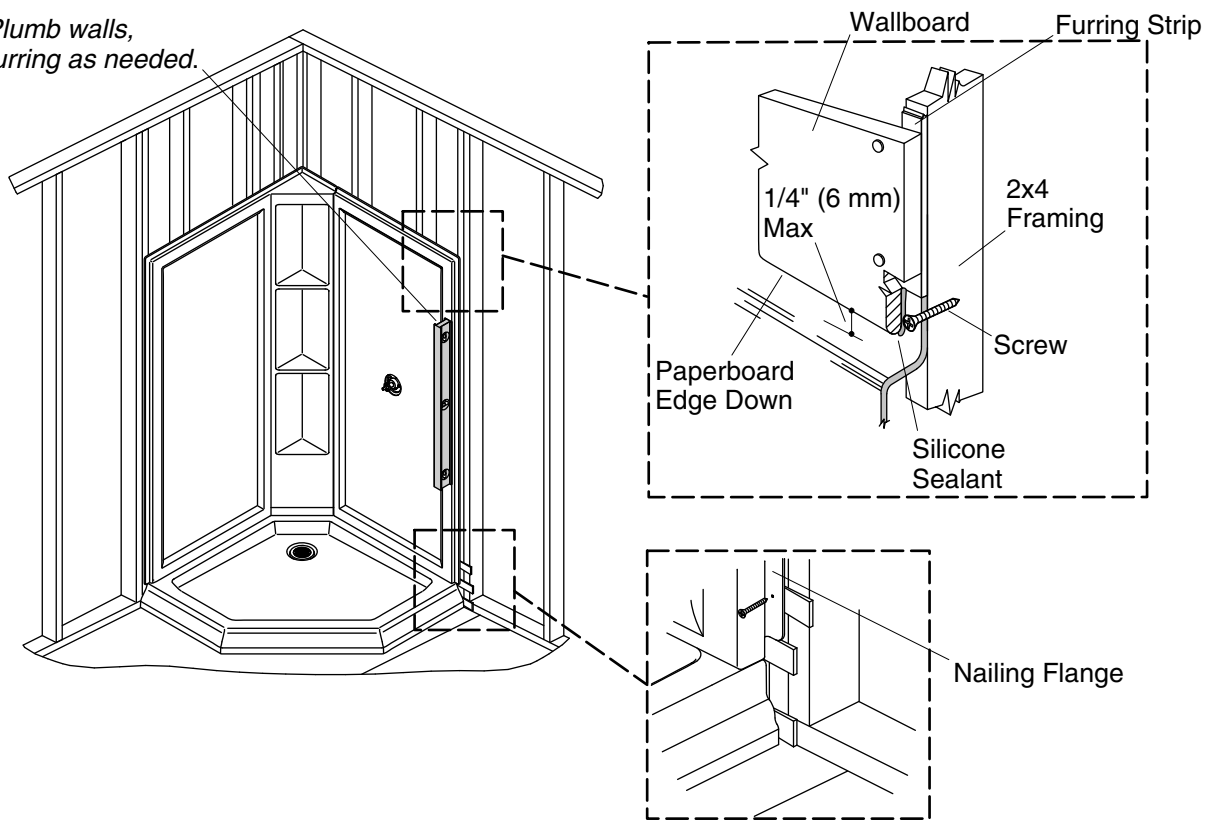
IMPORTANT! Follow the sealant manufacturer's recommended application and drying instructions.

NOTE: Thoroughly clean and dry dust, dirt, and grease from the shower base where the sealant will be applied.

Seal the Shower Receptor and Prepare the Stud Wall (cont.)

- Apply a 1/4" (6 mm) minimum bead of mildew resistant clear 100% silicone sealant around the shower base where the wall surround comes in contact with the shower base.
- Apply a bead of panel adhesive down each stud that will come in contact with the back of the wall surround.

Plumb walls,
furring as needed.



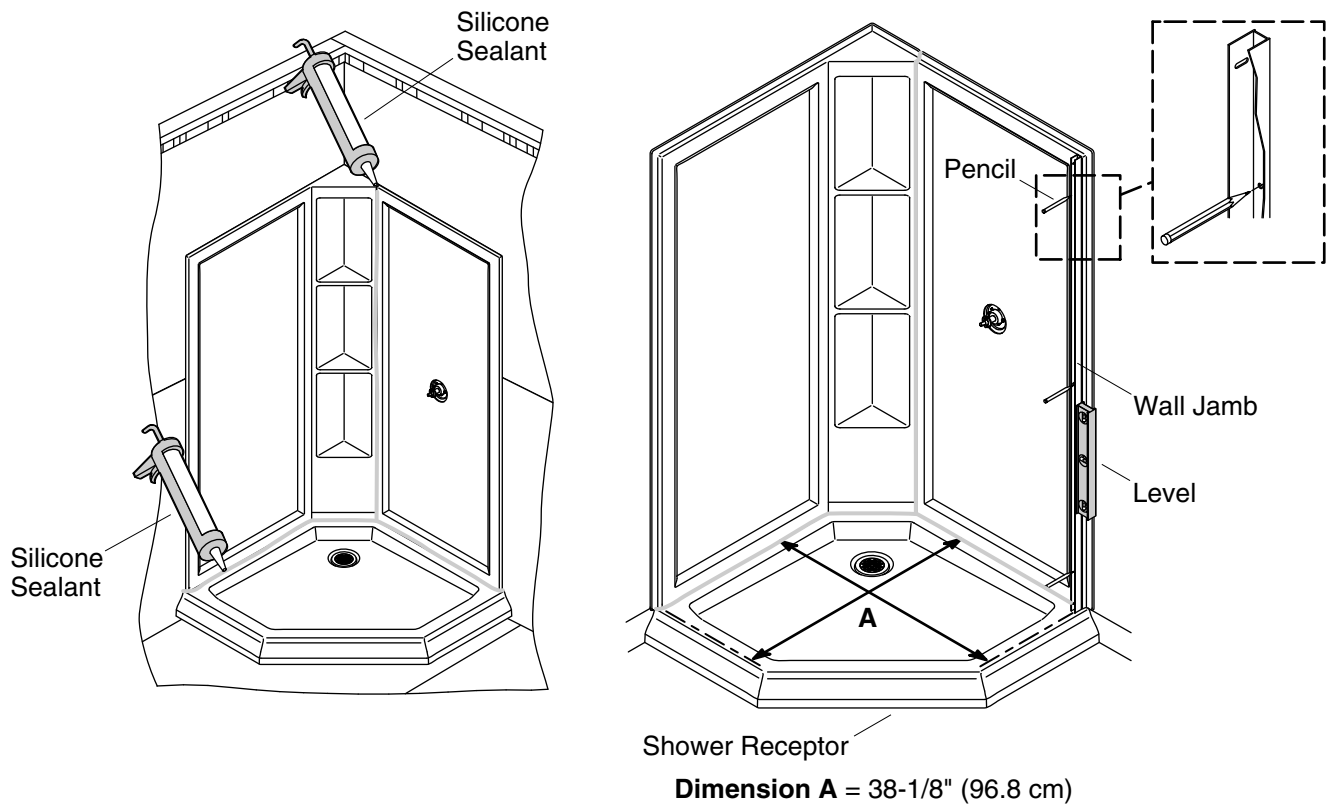
9. Install the Wall Surround

Install the Shower Wall Panels

- Carefully place the shower wall panels directly onto the shower base. Avoid scraping the sealant off the joint.
- Ensure the wall surround is plumb and confirm the shower wall panels are evenly spaced on the shower base, as this will play a critical role in door alignment.
- If the walls are not plumb, attach furring strips to the studs as needed to ensure the wall installation is plumb. Shim as needed. Repeat until the shower walls are plumb.
- **If installing the shower wall panels over wallboard**, apply adhesive on the wallboard, covering enough area to provide a secure bond.
- Press the wall surround firmly into the corner against the studs or wallboard.
- Starting from the outside edge and working toward the corner, secure the wall surround using drywall screws every 12" (305 mm) to 16" (406 mm) along the nailing flange. Make sure the bottom of the walls stay in place on the base.

Install the Finished Wall

- Install the wallboard with the factory edge (the paperbound edge) a maximum of 1/4" (6 mm) above the finished, concave surface of the shower wall panels.
- Mud, tape, and finish the wallboard.
- Finish the surrounding wall. The flange is 1/8" (3 mm) thick.



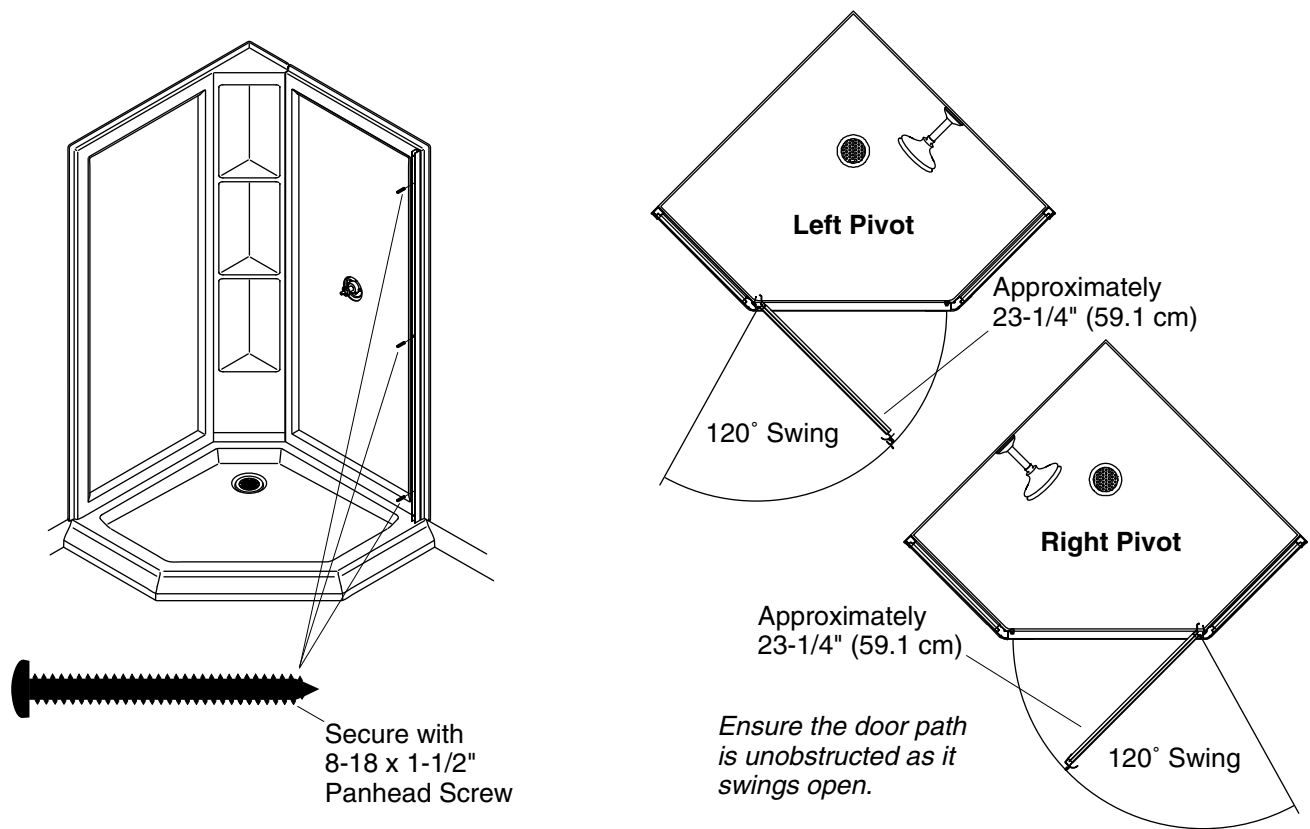
10. Seal the Walls and Shower Receptor

NOTE: Follow the sealant manufacturer's instructions for application and drying time.

- Silicone the joints between the shower receptor and the shower wall panels.
- Silicone along the vertical joint between the two shower wall panels.
- Silicone the joints between the shower receptor and the base board.
- Silicone the joints between the shower receptor and the floor.
- Allow the silicone sealant to dry according to the manufacturer's instructions.
- Install any grab bars or towel bars to the bridging installed earlier. Follow the accessory manufacturer's instructions.

11. Locate the Wall Jamb

- Measure 38-1/8" (968 mm) (dimension "A") from the **back shower panel** to the front edge of the shower base and mark with a pencil.
- Position the wall jamb to the inside of the pencil mark on the shower base.
- Using a level, plumb the wall jamb.
- Mark the wall jamb hole locations on the wall surround with a pencil.



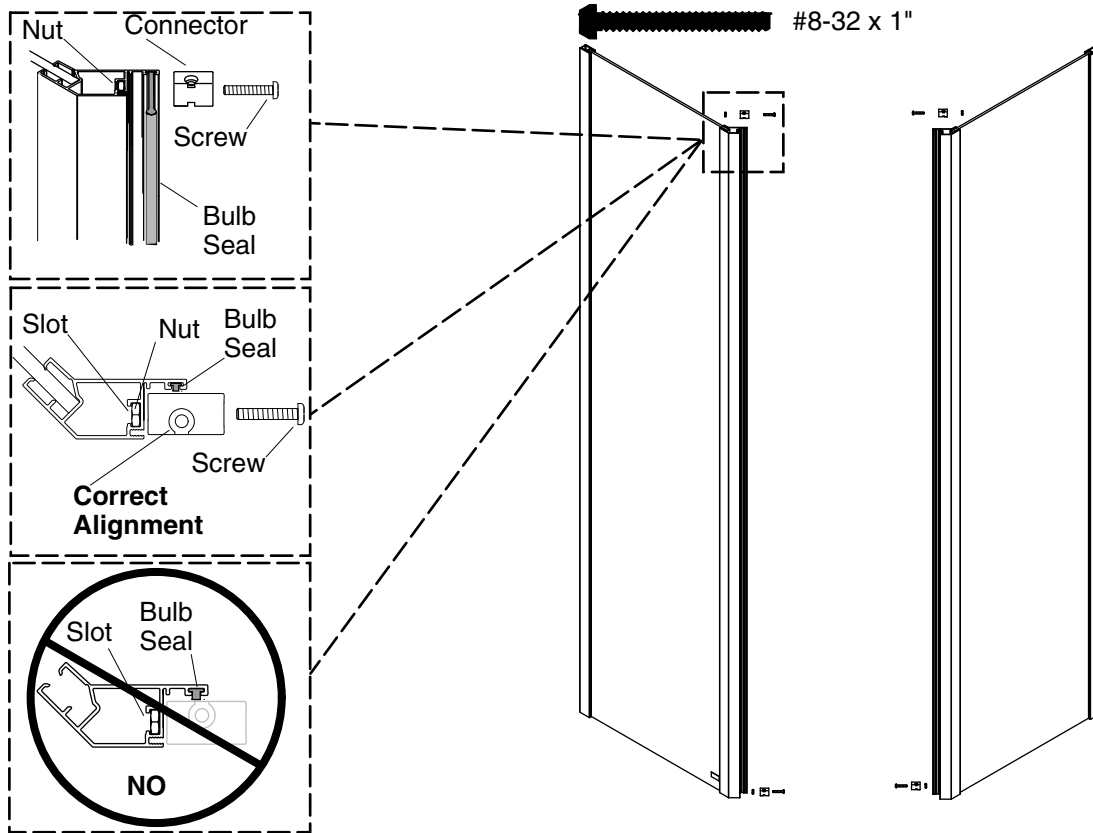
12. Install the Wall Jambs

- Position the wall jamb against the wall and align the holes in the wall jamb with the pencil marks on the shower wall panel.
- Secure the wall jamb with three #8-18 x 1-1/2" panhead screws.
- Repeat this procedure for the second wall jamb.

13. Determine the Direction of Door Swing

- Determine whether the door will pivot right or left.

NOTE: The illustrations and instructions in this guide are for right pivot installations. Left pivot installations will be opposite of what is illustrated and described.



14. Install the Bulb Seal and Conectors

Install the Bulb Seal

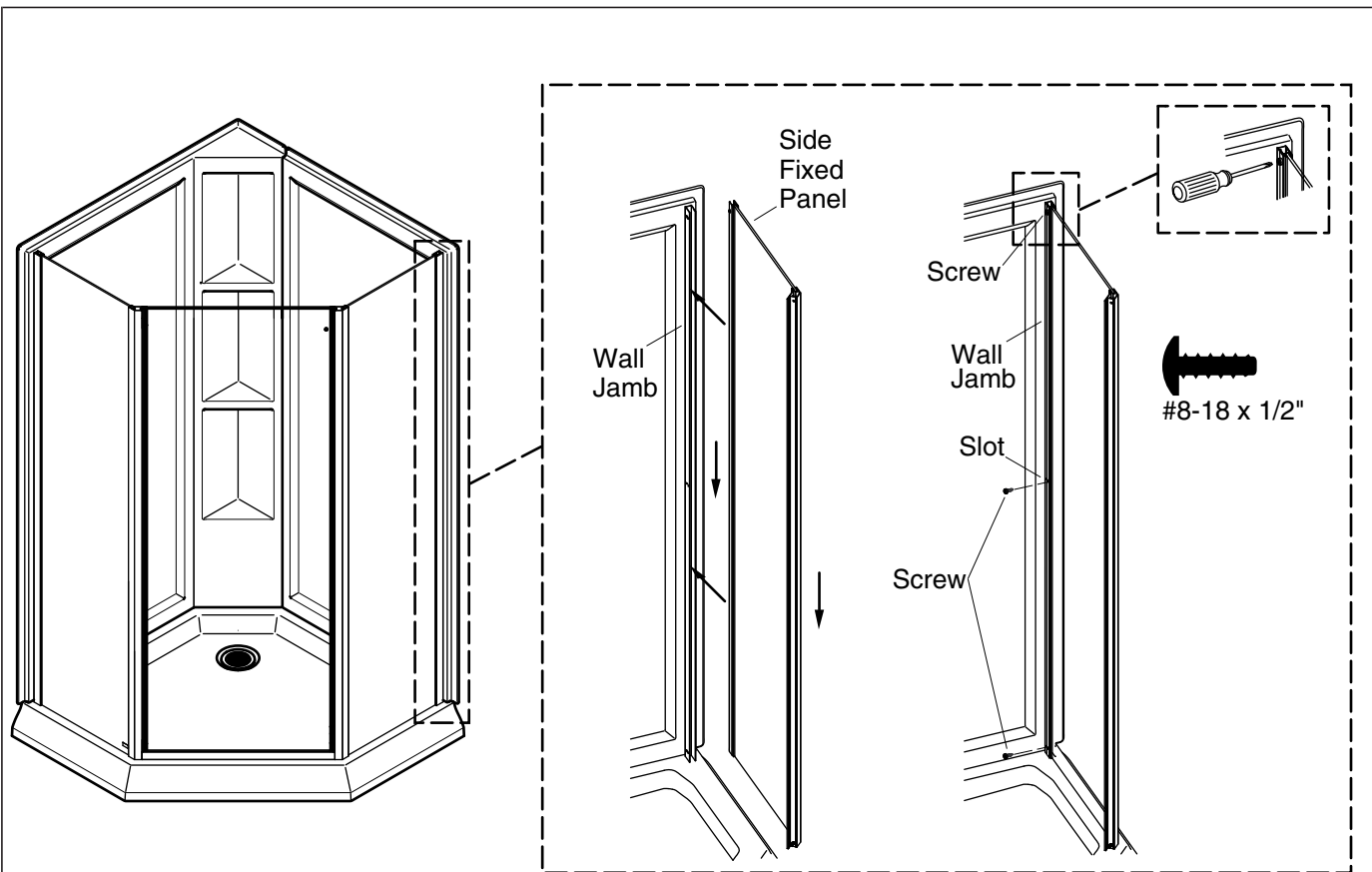
- Trim the bulb seal 2" (51 mm) shorter than the slot length.
- Slide the bulb seal down into the slot on the strike side fixed panel frame. It should be 1" (25 mm) below the top edge of the slot when fully installed.

Install the Connectors

NOTE: To ease installation, install the connectors while the panel is laying horizontally on the packaging. This prevents the 8-32 nuts from sliding in the slots of the side fixed panels.

NOTE: The hole in the connector should be closest to the outside of the shower as shown. This is critical for shower door installation.

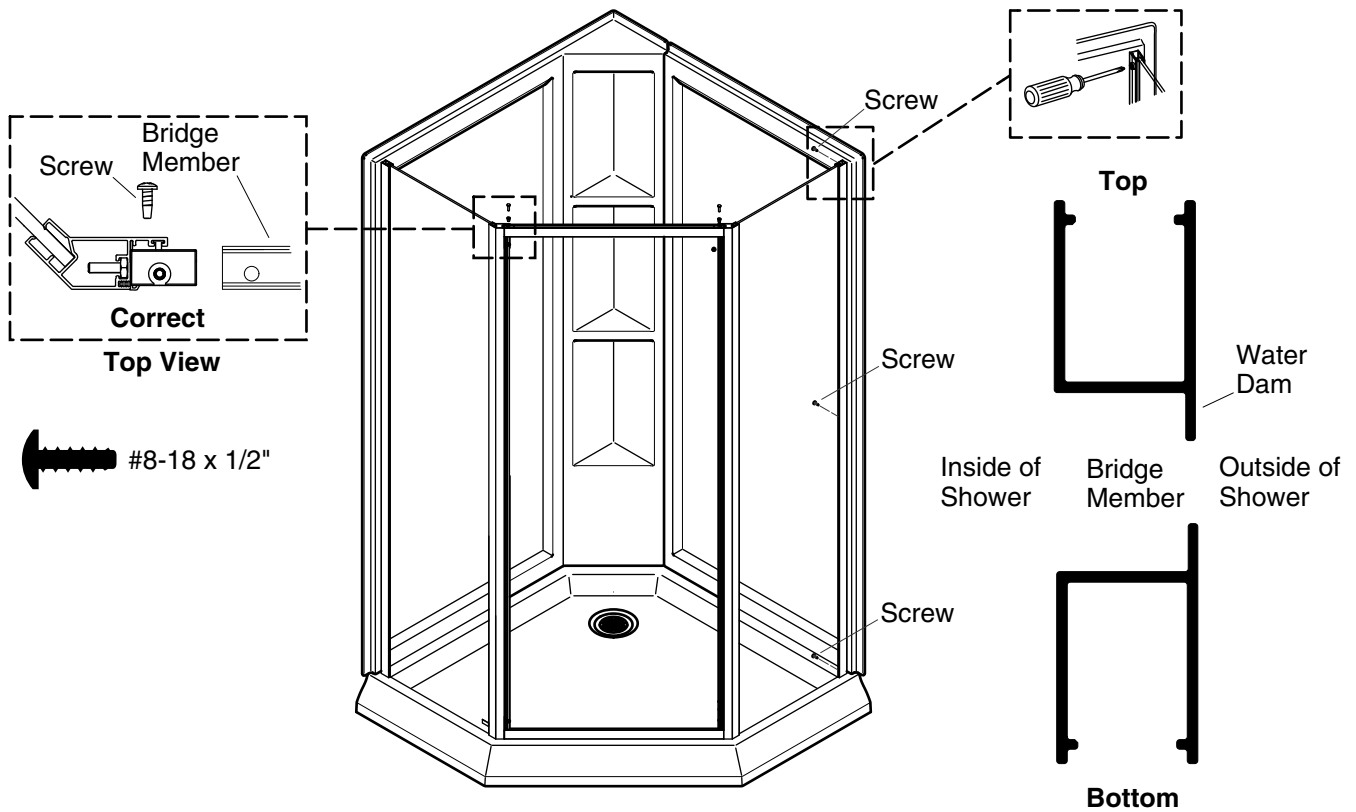
- Place the connector against the face of the angled edge of the side fixed panel.
- Insert an 8-32 x 1" screw through the connector.
- Slide an 8-32 nut into the slot on each side frame of the side fixed panel.
- Tighten the screw, connector, side frame and nut, ensuring the connector remains in-line with the fixed panel.
- Repeat the steps with each of the three remaining connectors.



15. Install the Side Fixed Panels

NOTE: Perform the procedures below from the inside of the shower.

- To prevent marring the surface of the shower base, slide the side fixed panel into the wall jamb, then slide it downward until it rests on the shower base.
- Repeat this procedure with the remaining side fixed panel.
- Insert three #8-18 x 1/2" screws through the slots in the wall jamb and fasten to the corresponding holes in the fixed panel. Do not tighten completely.



16. Install the Bridge Members

NOTE: The water dam on the bridge member should be toward the outside of the shower.

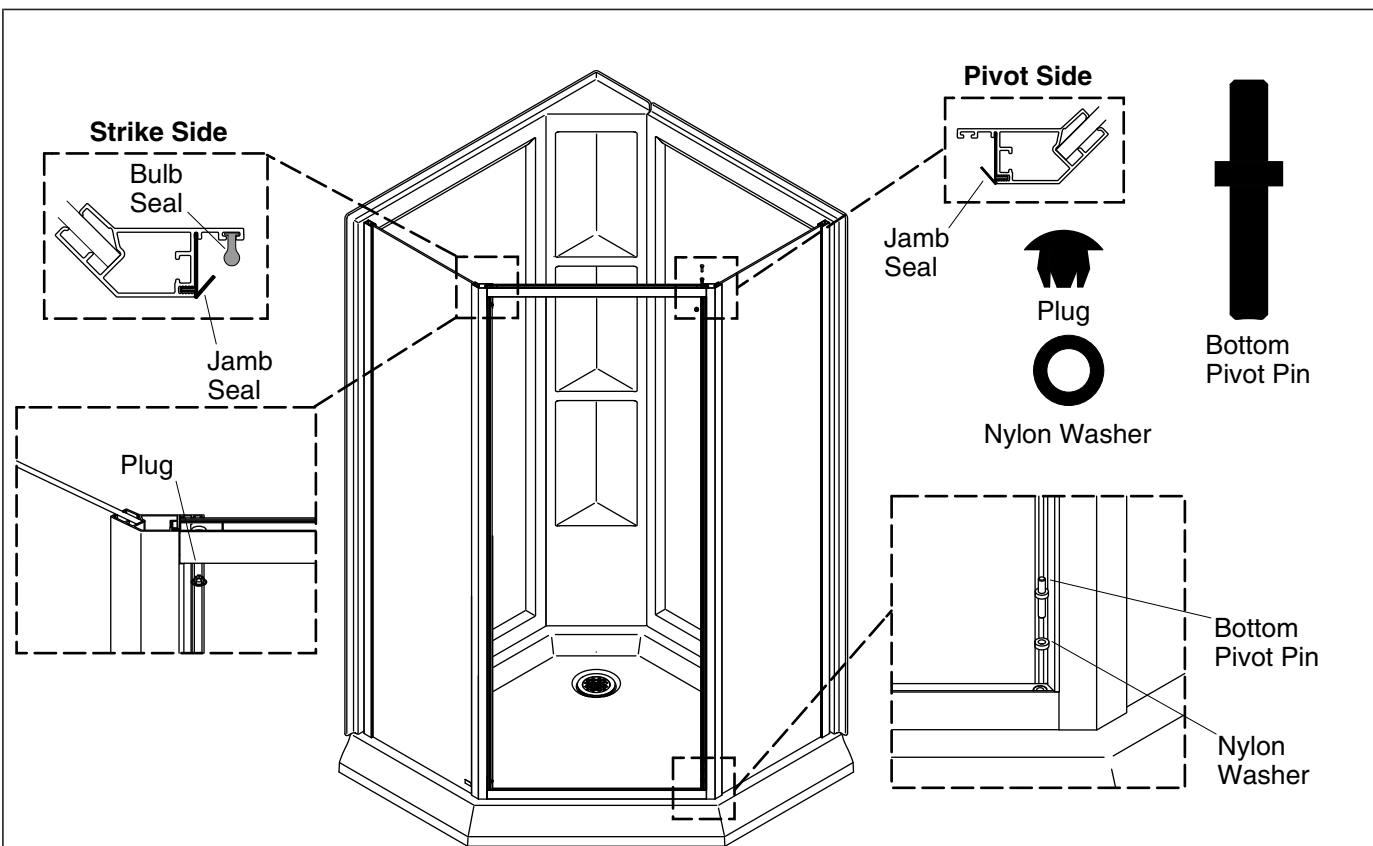
- Slide the upper and lower bridge members onto the connectors.
- Secure the bridge members to the side fixed panels using a #8-18 x 1/2" self-drilling screws.

17. Secure the Side Fixed Panels

NOTE: Perform the procedures below from inside the shower.

NOTICE: Do not overtighten the screws. If overtightened, the screws will cause the opposite side of the wall jamb to bow outward.

- Tighten the screws.
- Ensure the wall jamb is still plumb. If adjustment is needed, loosen the screws and slide the panel until plumb.
- Repeat with the second side fixed panel.



18. Install the Jamb Seals, Plugs and Bottom Pivot Pin

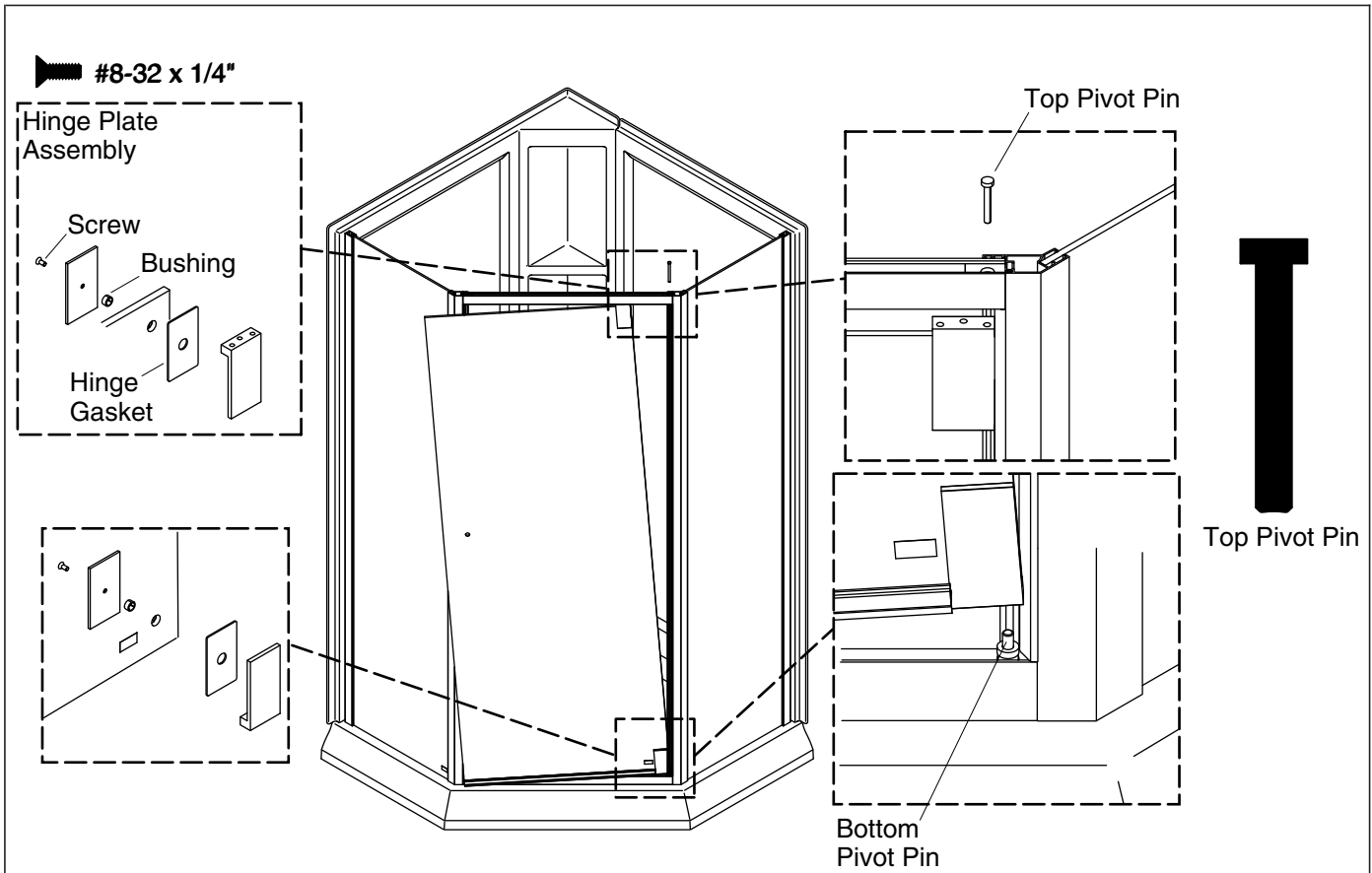
Install the Jamb Seals

NOTE: Both the pivot jamb and strike jamb receive a jamb seal.

- Position the jamb seal as shown.
- Push the jamb seal into the groove on the jamb.

Install the Plugs and Bottom Pivot Pin

- **For right pivot installations:** Insert a plug into the left side hole of the top and bottom bridge members. Place a nylon washer on the right side bottom hole in the bridge member.
- **For left pivot installations:** Insert a plug into the right side hole of the top and bottom bridge members. Place a nylon washer on the left side bottom hole in the bridge member.
- Insert the bottom pivot pin through the nylon washer and into the bottom bridge member with the longer end of the bottom pivot pin down.



19. Install the Door Panel

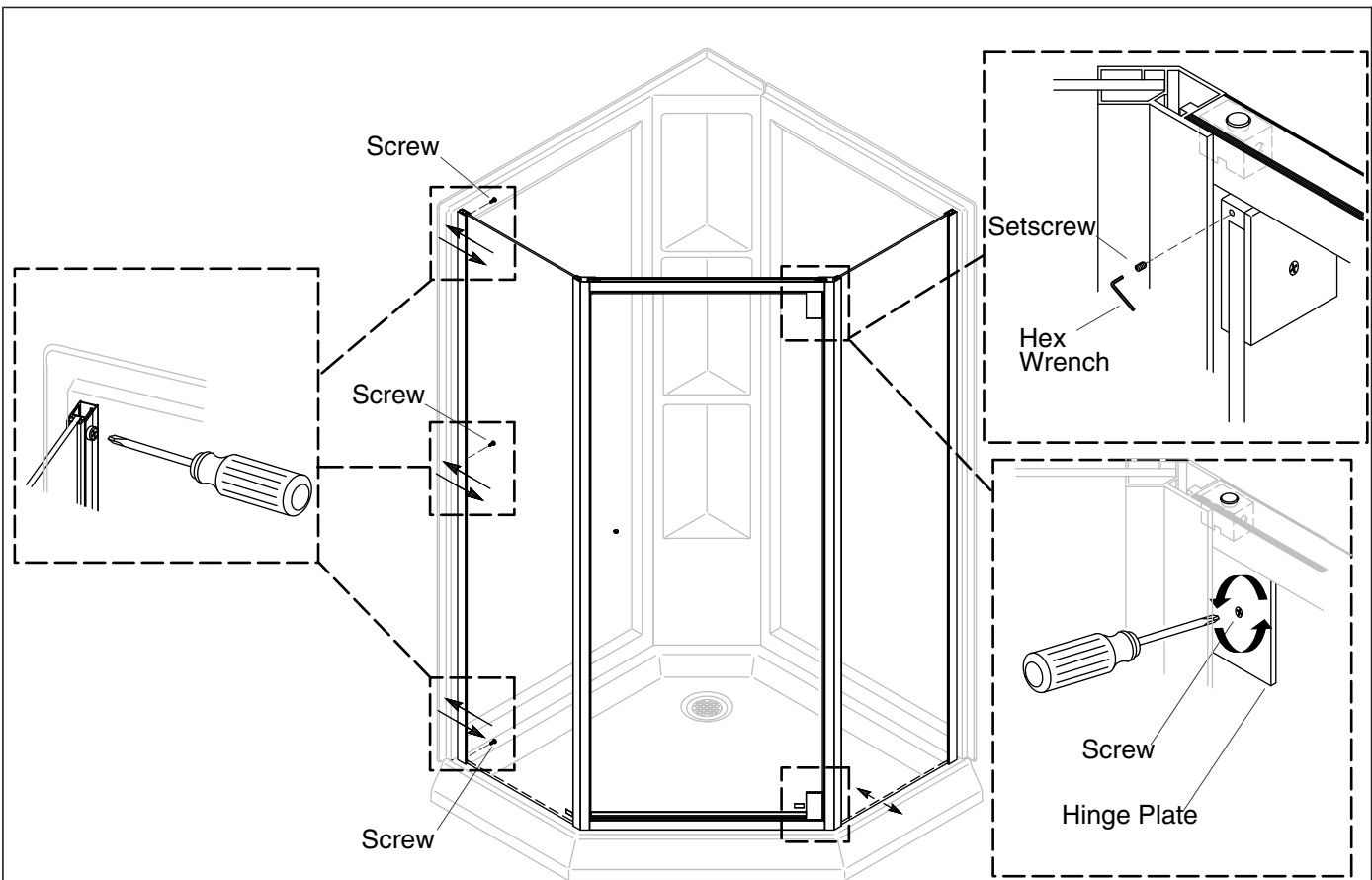
Install the Hinges

NOTE: The clean coat surface of the panel should be toward the inside of the shower.

- Attach the hinge gasket to the L-shaped hinge on the side that will be facing the glass.
- Position the shaft in the hole in the top of the door panel on the non-coated side of the glass with the overhang on top of the panel.
- Slide the bushing into the hole in the shower door and over the shaft on the L shaped hinge.
- Align the hinge plate with the hole in the glass. The setscrew hole in the hinge plate should be nearest the pivot side of the door panel.
- Thread the #8-32 x 1/4" screw into the shaft and carefully tighten with a screwdriver. Do not overtighten.
- Repeat steps for bottom hinge.

Attach the Door Panel

- Lift the door panel and align the pivot hole closest to the edge of the door side frame over the bottom pivot pin. Lower the door.
- Align the top pivot hole of the door side frame with the hole in the connector block.
- Insert the top pivot pin through the connector block into the pivot hole of the door side frame.



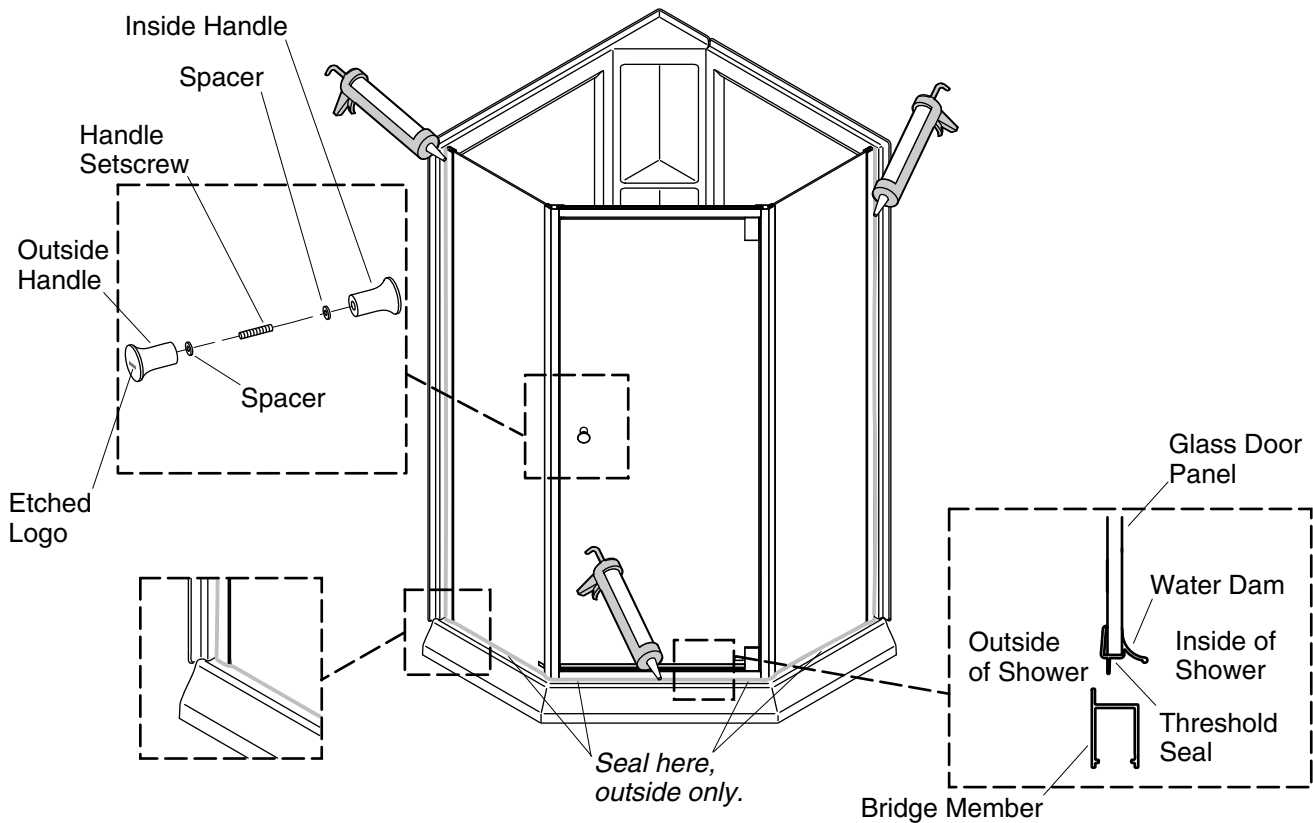
20. Complete the Door and Panel Installation

Complete the Door Installation

- Open the door until the setscrew holes in the hinge assemblies are exposed.
- Thread a #8-32 x 1/8" setscrew into each hinge assembly with the provided hex wrench, but do not tighten until instructed to do so.
- Check the door for proper operation.
- If adjustments are required, loosen the hinge screw.
- Tilt or shift the door panel as needed.
- Tighten the hinge screw.
- Open the door. From inside of the shower, tighten the hinge setscrews to the pivot pin in both the top and bottom hinges.

Side Fixed Panel Adjustments

- To adjust the side fixed panels, loosen the three screws securing the side fixed panel to the wall jambs.
- Tilt or shift the side fixed panels as needed.
- Tighten the wall jamb screws.



21. Install the Handles

CAUTION: Risk of injury or product damage. When reassembling the door handle assembly make sure to re-install the provided spacers in the configuration shown in the attached view. The handles should not be tightened to the tempered glass hard surfaces without the spacers or it may shatter.

NOTE: The handle comes pre-assembled and must be disassembled prior to installation on the shower door.

- Unscrew the non-logo handle from the pre-assembled handle assembly.
- Remove the spacer from the handle setscrew.
- Slide the assembled handle setscrew and handle assembly (logo facing the outside of the shower) through the hole in the glass shower door.
- Re-insert the spacer onto the handle setscrew.
- Screw the other (non-logo) handle onto the handle setscrew.
- Fully tighten both handles evenly making sure the logo is properly orientated.

22. Install the Threshold Seal

- Trim the threshold seal to fit.
- Orient the water dam toward the inside of the shower and press the threshold seal onto the bottom of the glass door panel.

23. Seal the Outside Frame



CAUTION: Risk of property damage. After completing the installation, follow the sealant manufacturer's recommended drying time before using the shower. This will allow the panel adhesive to properly cure.

IMPORTANT! Follow the sealant manufacturer's instructions for application and curing time.

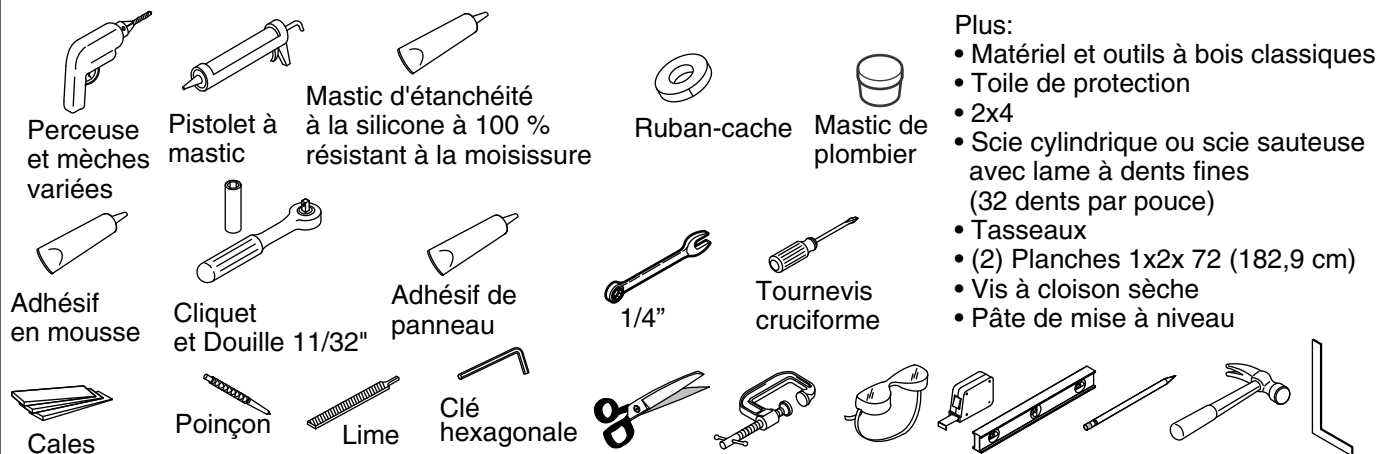
NOTE: Thoroughly clean and dry dust, dirt, and grease from surfaces where sealant will be applied.

- Apply 100% silicone sealant to:
 - the outside of the shower where the wall jambs meet the wall.
 - the outside of the shower where the bridge member meets the shower base.
 - the seams between the bottom of the side fixed panels where they meet the shower base.

Guide d'installation

Douche néo-angulaire

Outils et matériaux



Avant de commencer



WARNING: Risque de blessures graves. Des dommages avant l'installation peuvent entraîner des éclatements de verre. Inspecter le verre et toutes les pièces pour y rechercher des dommages avant l'installation.



WARNING: Risque de blessures graves. Une installation incorrecte peut entraîner des éclatements de verre. Suivre toutes les instructions d'installation.

NOTICE: Ne pas toucher les bords du verre trempé avec des outils ou d'autres objets durs. Ne pas poser le verre trempé non encadré directement sur le plancher ou sur une surface dure.



WARNING: Risque de blessures graves. Ne pas couper le verre trempé. Le verre trempé éclate lorsqu'il est coupé.



WARNING: Risque de blessures graves. La porte de la douche et les panneaux latéraux peuvent éclater. Inspecter régulièrement le verre et toutes les pièces pour y rechercher des dommages, ou des pièces manquantes ou desserrées.



WARNING: Risque de blessures graves. Toujours porter des lunettes de sécurité pendant la découpe et le perçage.

IMPORTANT! Laisser ce manuel pour l'utilisateur final. Lire ces instructions avant d'installer ou d'utiliser ce produit.



CAUTION: Risque de dommages matériels. Choisir l'adhésif à panneaux recommandé pour utilisation sur des surfaces en polystyrène. Ceci permet d'assurer que les panneaux de mur adhèrent correctement aux murs.



CAUTION: Risque de dommages matériels. Choisir le mastic recommandé pour utilisation sur des surfaces en polystyrène. Ceci permet d'assurer que les panneaux fixes latéraux et le joint d'étanchéité de l'entretoise inférieure sont scellés sur les panneaux des parois de douche.

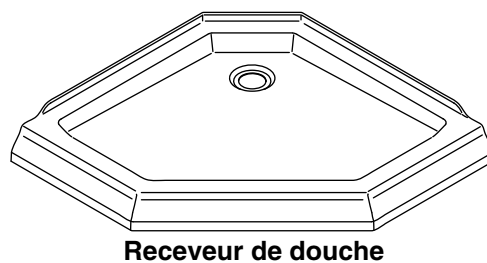
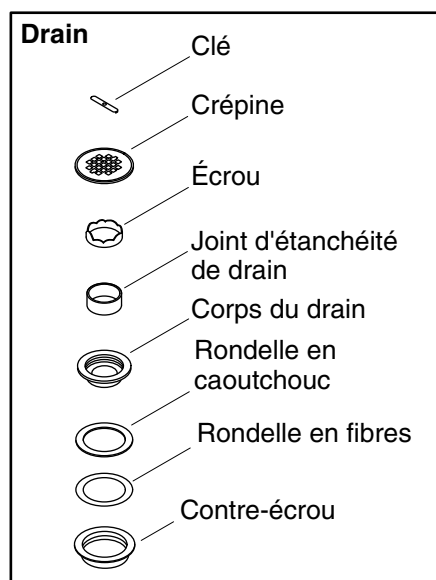
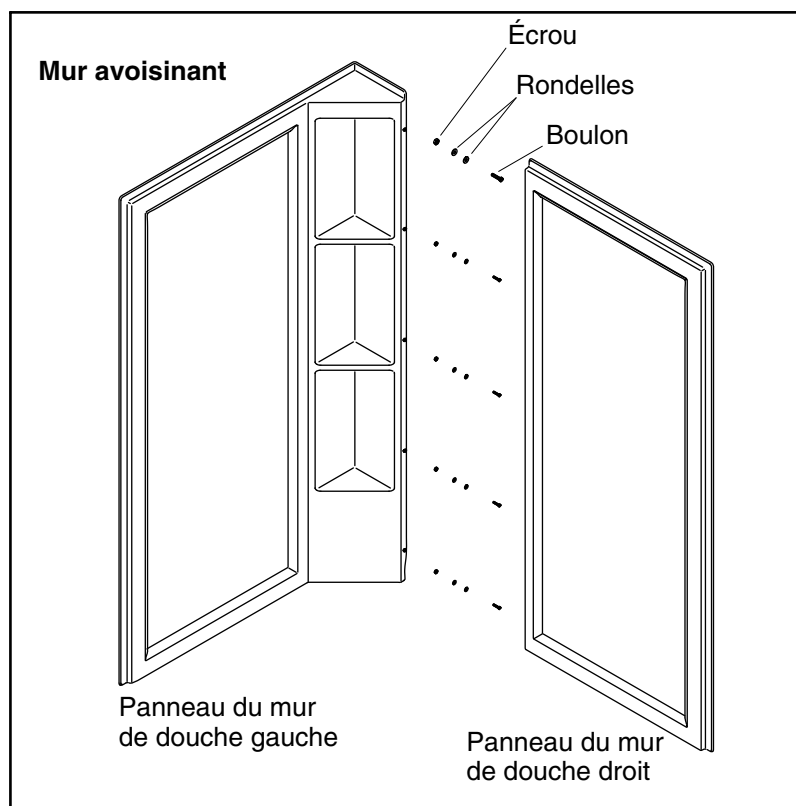
NOTICE: Cette douche est destinée à être appariée spécifiquement à un module de douche Sterling. Ne pas installer cette porte de douche si le module de douche n'est pas un module Sterling.

IMPORTANT! Cette porte est conçue pour s'adapter à des murs qui ont un faux aplomb de moins de 3/8" (10 mm). Vérifier que la zone sur laquelle la porte sera fixée est comprise dans 3/8" (10 mm) de l'aplomb, ou mieux. La porte risque de ne pas fonctionner correctement si le faux aplomb du mur est supérieur à 3/8" (10 mm).

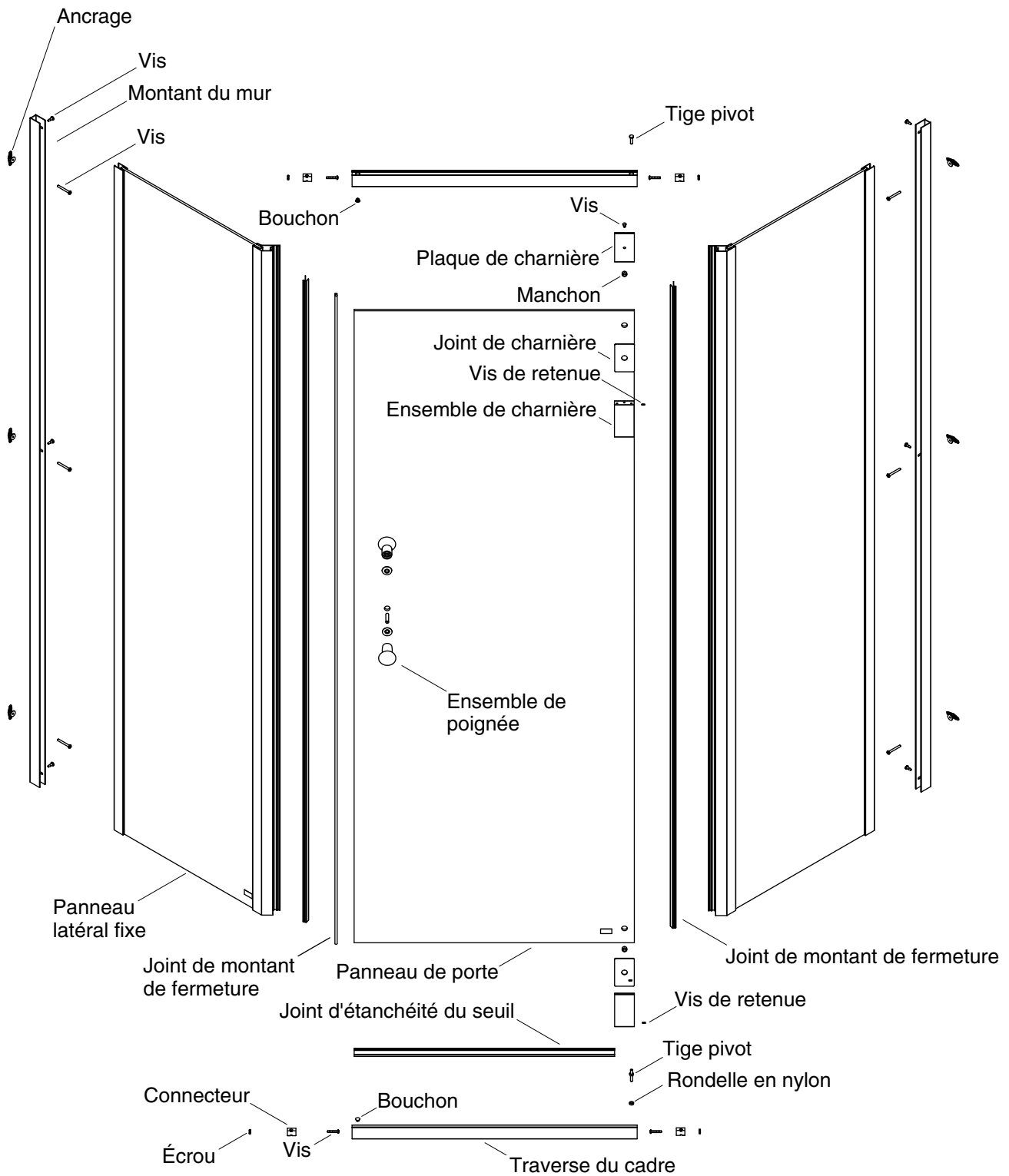
□ Vérifier tous les codes du bâtiment locaux avant installation.

Avant de commencer (cont.)

- Les parois de la douche peuvent être installées directement sur les montants ou par-dessus du matériau pour mur hydrofuge.
- La porte de la douche peut être installée avec une ouverture de la porte vers la droite ou vers la gauche. Installer la porte avec le côté pivotement éloigné de la pomme de douche pour obtenir les meilleurs résultats possibles.
- Les illustrations et les instructions comprises dans ce guide sont destinées à des installations avec pivotement à droite. Les installations avec pivotement à gauche sont à l'opposé de ce qui est illustré et décrit, sauf sur instructions spécifiques.
- Étaler et identifier toutes les pièces. Vérifier qu'elles sont en bon état.
- Remettre les panneaux de verre dans leur emballage et les placer dans un endroit sûr jusqu'à ce qu'ils soient nécessaires.
- Lors du remplacement d'un dispositif existant, confirmer que le nouveau modèle s'adapte avant de retirer l'ancien dispositif.
- Ne pas installer la douche sur des solives de plancher exposées.
- Sterling se réserve le droit d'apporter des modifications sur le design des produits sans avis préalable, tel que spécifié dans le catalogue des prix.



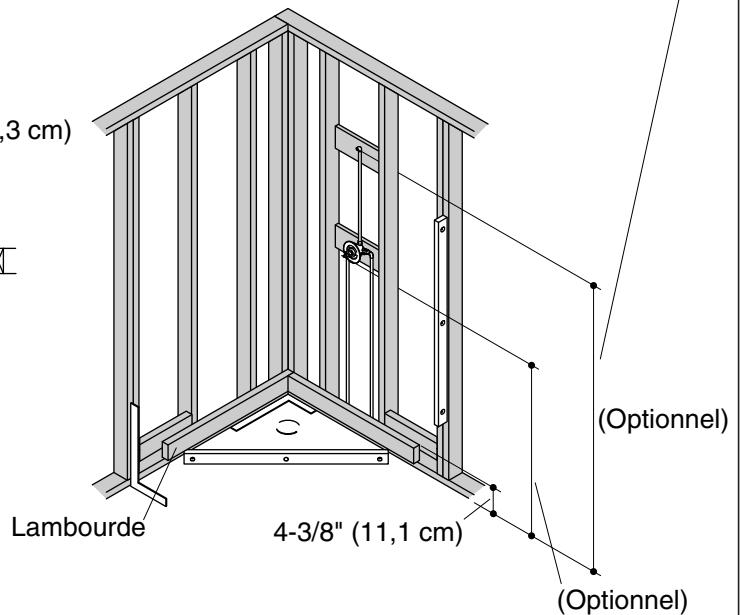
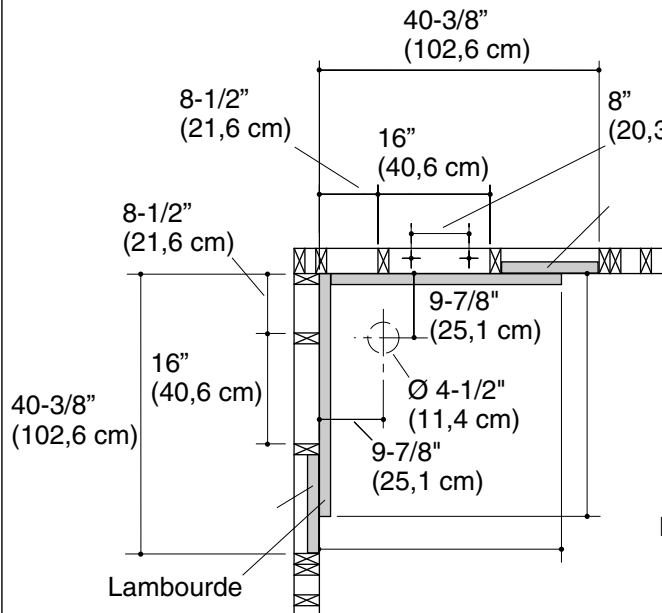
Identification des pièces



Identification des pièces

Remarque: Le contrôle devrait être centré entre les montants. Le réglage de la plomberie de contrôle et son emplacement pourrait être nécessaire si le mur n'est pas d'aplomb.

Remarque: Cette dimension est pour le montage de pomme de douche au-dessus du mur de douche. Dans le cas de montage de la pomme de douche au-dessus du mur de douche, ignorer cette dimension et ajuster la plomberie en fonction.



1. Construire l'ossature

NOTE: Vérifier les dimensions de l'anneau de garniture de la pomme de douche si possible. Si le diamètre de l'anneau de la garniture dépasse 2-1/8" (5,4 cm), monter le bras de douche au-dessus de la paroi de la douche dans un endroit approprié.

- La pomme de douche peut être installée dans la paroi de la douche ou au-dessus de celle-ci. Tenir compte de la taille des utilisateurs de la douche lors du choix de l'emplacement d'installation. Les dimensions fournies sont destinées à une installation de paroi de douche seulement.
- Construire le cadre en fonction des schémas de raccordement et de cadrage.

NOTE: Si le cadre est différent de ce qui est indiqué, des renforts supplémentaires pourraient être nécessaires pour assurer une adhésion appropriée au mur.

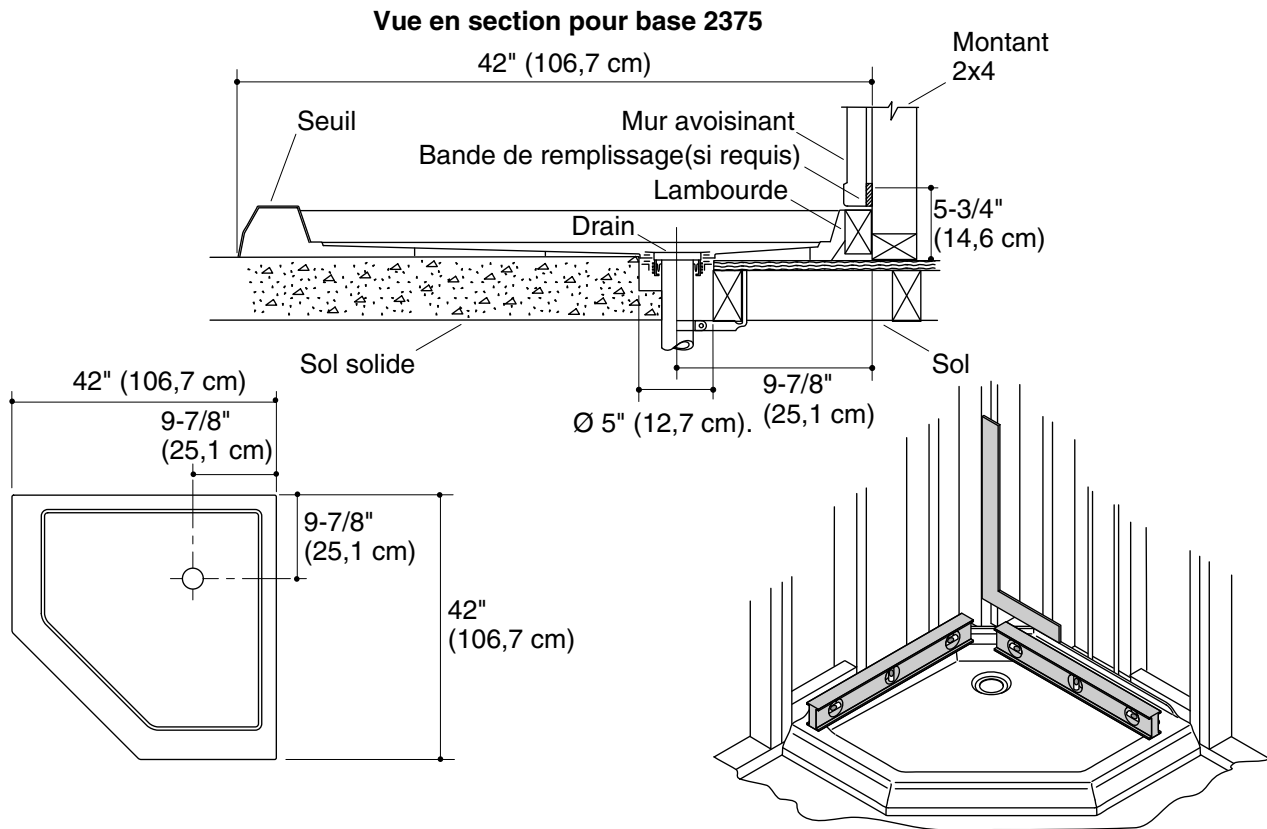
- Ajouter toutes les entretoises et tous les supports nécessaires si des barres d'appui ou des porte-serviettes sont également installés. Se référer aux instructions du fabricant des accessoires.
- Ajouter une entretoise 2x4 entre les montants à proximité des rebords avant du collecteur, sur chaque paroi, à une hauteur centrale de 5" (12,7 cm). La bride de clouage du collecteur est attachée à l'entretoise et aux montants.
- Couper une lisse 2x4 sur une longueur de 34" (86,4 cm), et couper une deuxième lisse 2x4 sur une longueur de 32-1/2" (82,6 cm).
- Le haut des lisses doit se trouver à 4-3/8" (11,1 cm) au-dessus du sous-plancher. Attacher les lisses sur les montants pour fournir un support de rebord. Attacher la planche de 34" (86,4 cm) en premier lieu, puis la planche plus courte, de manière à ce qu'elle aboute contre la première planche.
- La plomberie peut être installée dans la paroi de la douche ou au-dessus de la paroi de celle-ci. Les dimensions fournies doivent être utilisées sur l'une des parois.
- Si l'unité est installée contre un mur en maçonnerie, utiliser des fourrures pour fixer l'unité en place. La configuration des fourrures doit correspondre à celle des montants indiqués.

Construire l'ossature (cont.)

- Si l'installation est effectuée par-dessus du matériau de mur hydrofuge, insérer les chevilles d'ancrage à l'emplacement où l'entretoise a été ajoutée, entre les montants, et fixer la bride de clouage du collecteur de douche sur le mur.

2. Installer la plomberie

- Positionner le drain en fonction des dimensions indiquées ci-dessus. Mesurer et couper l'ouverture du trou du drain dans le sol, et installer les conduites d'écoulement de raccordement.
- Installer la plomberie de raccordement aux dimensions indiquées ci-dessous. La plomberie de raccordement doit être installée avant d'installer l'unité.



3. Positionner le tuyau d'écoulement et le collecteur de la douche

Positionner le tuyau d'écoulement

NOTE: Le système d'écoulement est conçu pour un tuyau d'écoulement de 2" (51 mm) qui est à ras du sous-plancher.

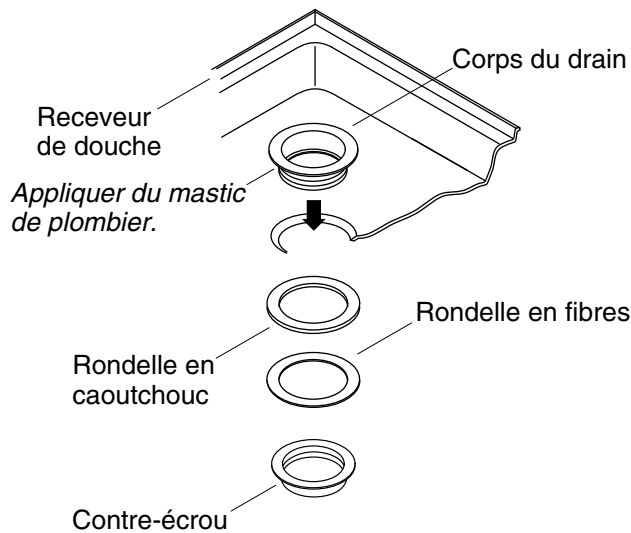
- Déterminer l'emplacement du tuyau d'écoulement en utilisant les dimensions illustrées.
- Découper un trou de 5" (127 mm) à 5-1/2" (140 mm) dans le sous-plancher. Ceci fournira un dégagement adéquat pour le système d'écoulement.
- Installer le tuyau d'écoulement selon les dimensions indiquées dans l'illustration ci-dessus. Vérifier que le tuyau d'écoulement a son propre support et qu'il est attaché.

Positionner le receveur de douche

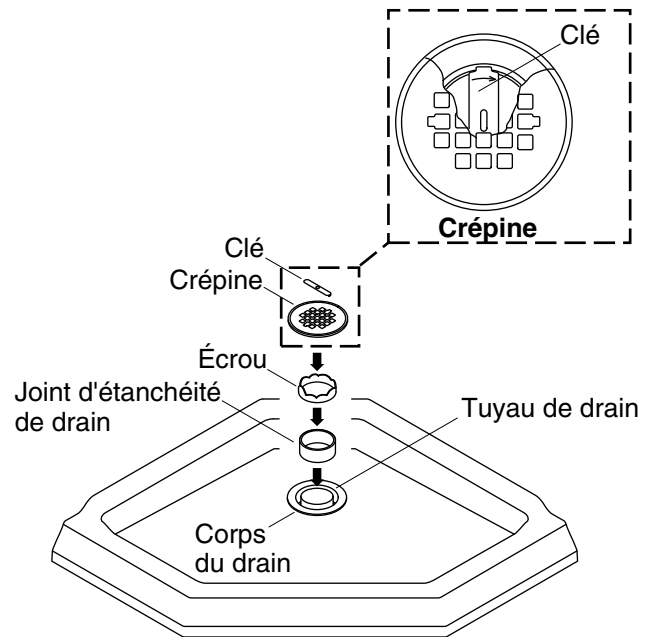
NOTE: Le sous-plancher sous le receveur de douche doit être de niveau. Ajuster le sous-plancher avec le composé de nivellement selon les besoins. Ne pas poser de cales.

- Placer le receveur de douche fermement contre les deux murs adjacents.
- Vérifier que le receveur de douche est à ras des montants.
- Si le receveur de douche n'est pas à ras des montants, utiliser des cales entre la bride de clouage et le mur du montant, selon les besoins.

Assembler le corps du drain au receveur



Compléter l'installation du corps du drain



4. Installer l'ensemble d'écoulement

NOTE: Pour faciliter l'installation, obtenir de l'aide pour soulever le receveur de douche.

Assembler l'ensemble d'écoulement sur le receveur de douche

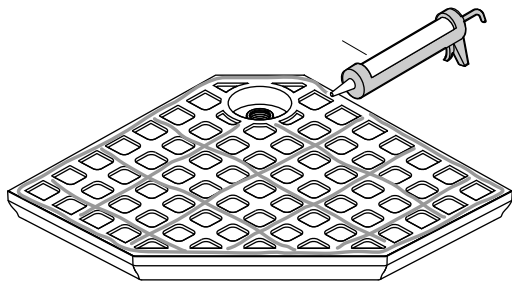
- Appliquer du mastic de plombier sur le dessous de la lèvre du drain et enfiler l'ensemble d'écoulement dans le receveur de douche.
- Glisser la rondelle en caoutchouc et la rondelle en fibre sur l'ensemble d'écoulement à partir du dessous du receveur de douche.
- Fixer l'ensemble d'écoulement sur le receveur de douche avec le contre-écrou.

Positionner le receveur de douche

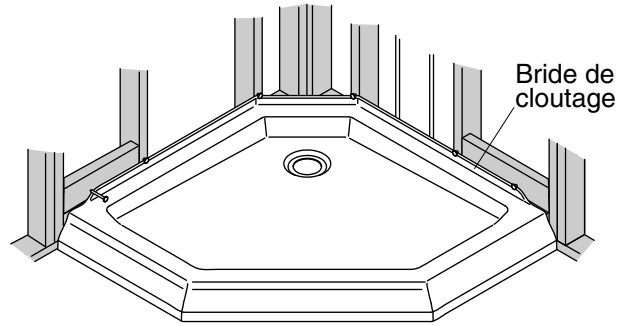
- Positionner le receveur de douche sur le tuyau d'écoulement.

Terminer l'installation de l'ensemble d'écoulement

- Insérer le joint du drain et l'écrou dans le tuyau d'écoulement.
- Utiliser la clé fournie pour tourner l'écrou dans le sens horaire jusqu'à ce que le joint du drain soit comprimé. Retirer la clé.
- Placer la crépine dans l'ensemble d'écoulement.



Vue de dessous



Vue de dessus

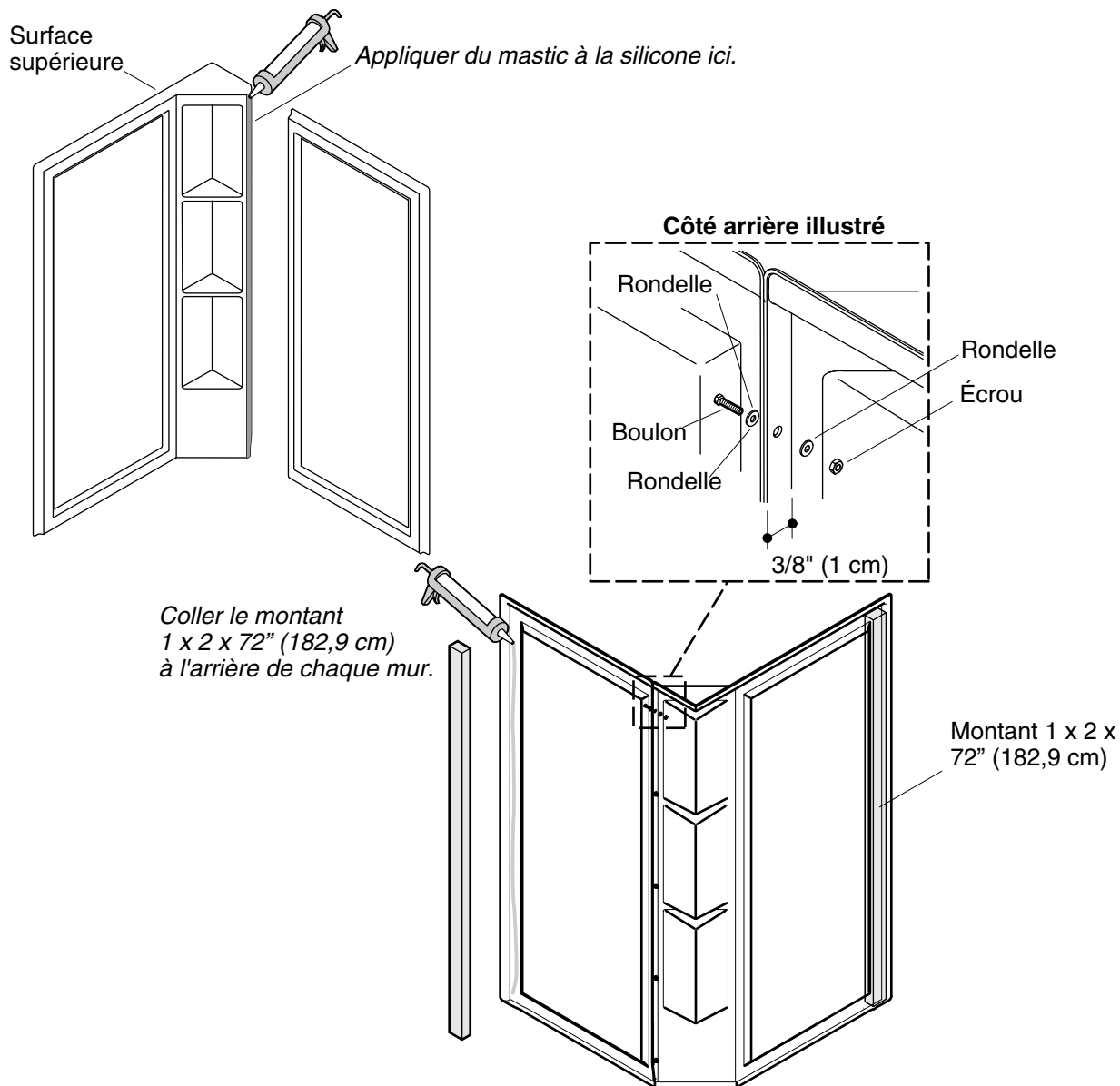
5. Fixer le collecteur de douche en place

IMPORTANT! Si le collecteur de douche n'est pas de niveau, il sera difficile d'obtenir un alignement correct de la douche.

- Vérifier que le collecteur de la douche est de niveau. Si nécessaire, mettre le collecteur de douche de niveau.
- Appliquer des boudins d'adhésif en mousse sur les arrêtes dans le bas du collecteur de douche.
- Repositionner le collecteur de douche et appuyer fermement pour assurer un bon contact adhésif.

IMPORTANT! Lors de l'utilisation d'une perceuse pour poser les vis, s'assurer que la perceuse n'entre pas en contact avec le collecteur de douche. Ceci endommagerait la surface.

- Positionner et percer des trous de dégagement de 3/16" dans le centre vertical de la bride de clouage, en centrant sur chaque montant.
- À l'aide de vis, fixer le collecteur en place sur les montants et l'entretoise dans les trous de dégagement.



6. Assembler l'encadrement mural

- Si la robinetterie n'a pas été installée, installer celle-ci maintenant, en suivant les instructions du fabricant de robinets.
- Positionner les panneaux des parois de la douche à la verticale sur une surface plate et propre, avec les brides alignées comme sur l'illustration.
- S'assurer que les panneaux des parois de la douche reposent tous les deux à plat sur le sol.
- Appliquer un boudin de 1/4" (6 mm) **minimum** de mastic à la silicone à 100% résistant à la moisissure sur l'une des surfaces d'accouplement, entre les panneaux des parois de la douche.
- Repositionner les parois ensemble et assembler le boulon, les rondelles et l'écrou à chaque emplacement.
- Serrer les dispositifs d'attache à l'aide d'une clé de 1/4" et d'une clé à rochet avec une douille de 11/32". Ne pas trop serrer.

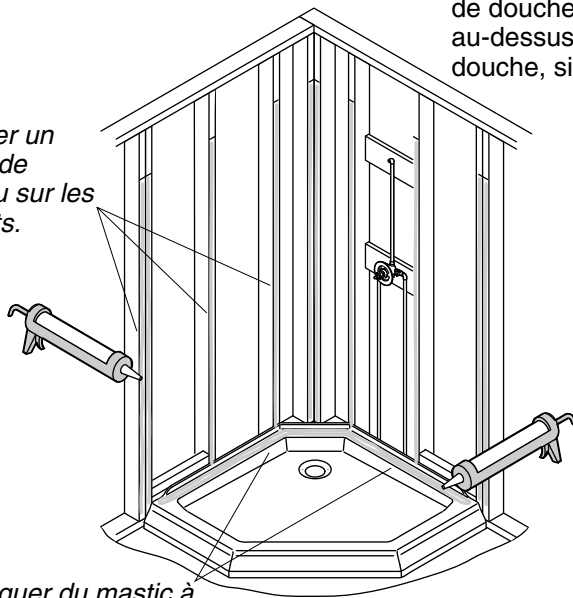
Assembler l'encadrement mural (cont.)

- Retirer tout excédent de mastic.
- Attacher un montant de 1x2 x 72" (182,9 cm) sur le bord extérieur arrière de chaque paroi de douche avec de l'adhésif pour panneaux afin d'assurer une fixation solide pour les montants de mur.

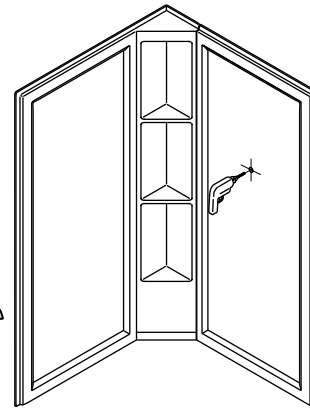
Remarque: Si l'applique de l'anneau de garniture de pomme de douche est plus large que 2-1/8" (5,4 cm) de diamètre, il est recommandé que la pomme de douche soit installée au-dessus du module de douche, si l'espace le permet.

Orifice de valve d'alimentation d'eau
Trou-pilote

Appliquer un adhésif de panneau sur les montants.



Appliquer du mastic à la silicone au receveur.



Couper l'(les) orifice(s) de la tige de la valve de l'avant du panneau du mur.

Remarque: Lors de la détermination de l'emplacement de découpe de valve, mesurer la distance du rebord supérieur au receveur.

7. Couper les trous d'arrivée



CAUTION: Risque d'endommagement du produit. Inspecter et réinspecter les emplacements de la vanne et de la pomme de douche avant de percer. Le(s) trou(s) doivent se trouver à l'emplacement adéquat.



CAUTION: Risque de blessures. Porter des lunettes de sécurité lors de la découpe ou du perçage.

- Marquer le centre de la vanne d'arrivée sur l'avant du panneau de paroi de douche approprié. Lors du choix de l'emplacement de coupe de la vanne, mesurer la distance à partir du rebord supérieur du collecteur de la douche.
- Les trous doivent s'aligner avec les dimensions de la plomberie de raccordement de la section "Construire l'ossature", et doivent se trouver sur la ligne centrale du panneau de paroi, aux distances correctes à partir du sol.
- Se référer aux instructions du fabricant de la vanne pour les dimensions appropriées des trous. S'assurer que la plaque de couvercle de la vanne est assez large pour recouvrir les trous.
- Percer des trous-pilotes de 1/4" (6 mm) aux emplacements marqués sur le panneau de paroi de douche approprié.
- À partir de la surface finie du panneau de paroi de douche, découper les trous requis pour la robinetterie. Une scie cylindrique est préférée, mais si la taille correcte n'est pas disponible, elle peut être coupée à l'aide d'une scie sauteuse dotée d'une lame à dents fines.
- Protéger la surface finie avec du ruban-cache avant de découper.

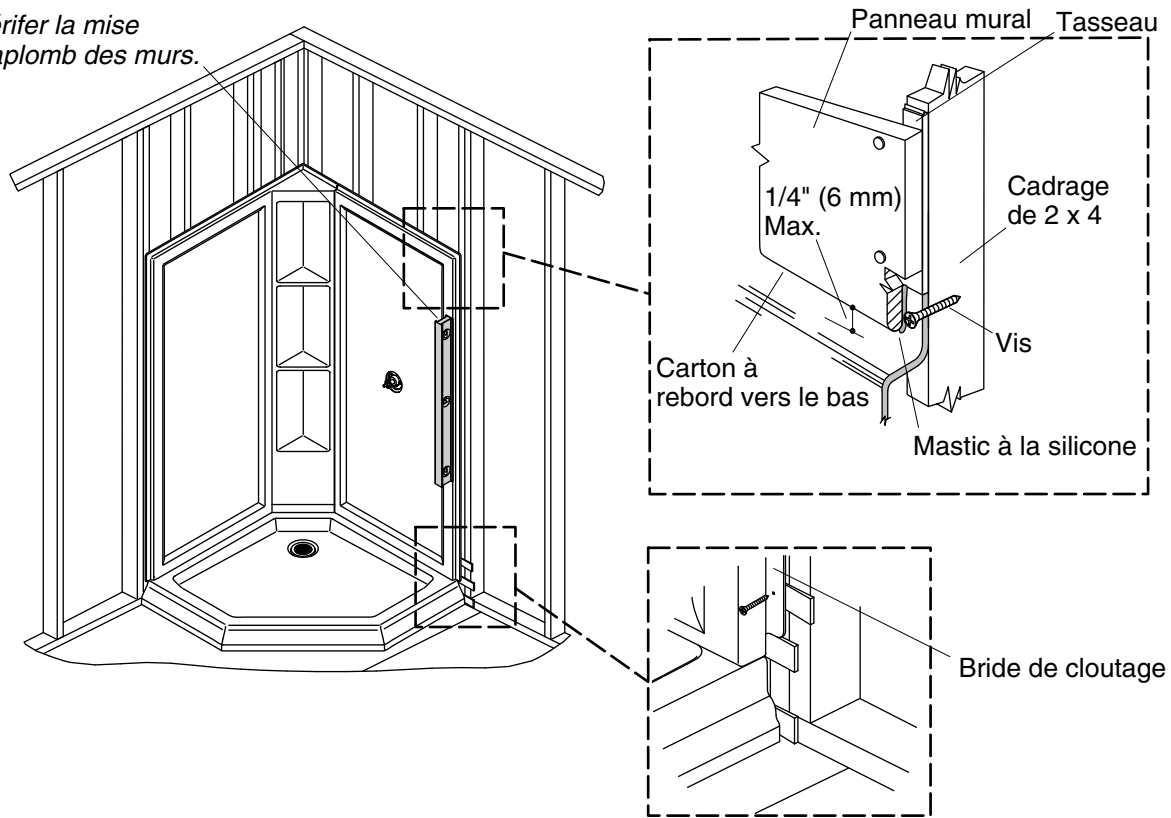
8. Sceller le collecteur de douche et préparer le montant de mur

IMPORTANT! Suivre les instructions d'application et de prise recommandées du fabricant du mastic.

NOTE: Bien nettoyer et sécher toutes les poussières et saletés, ainsi que la graisse se trouvant sur le receveur de douche, à l'emplacement sur lequel le mastic sera appliqué.

- Appliquer un boudin de 1/4" (6 mm) minimum de mastic à la silicone à 100% transparent et résistant à la moisissure autour du receveur de douche, à l'emplacement où l'encadrement mural entre en contact avec le receveur de douche.
- Appliquer un boudin d'adhésif pour panneaux dans chaque montant qui entrera en contact avec l'arrière de l'encadrement mural.

Vérifier la mise
d'aplomb des murs.



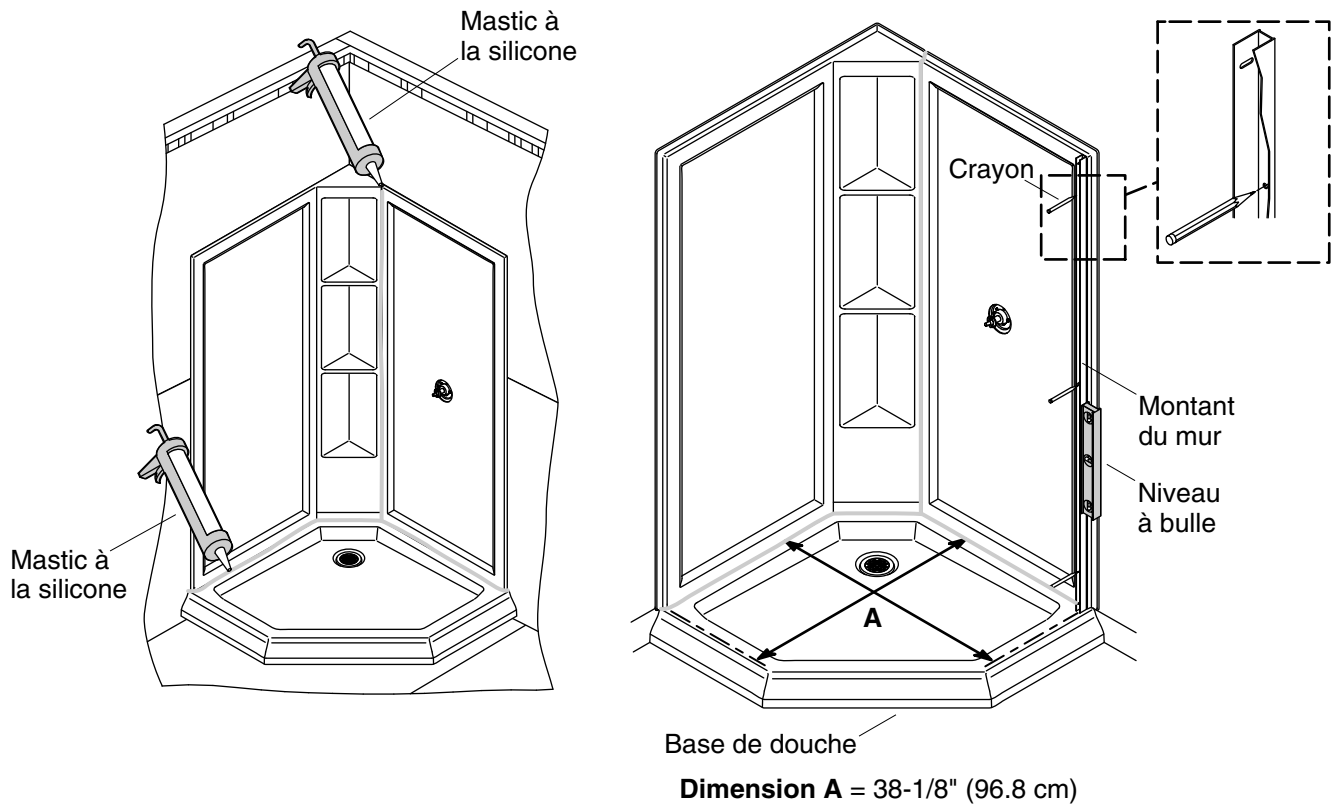
9. Installer l'encadrement mural

Installer les panneaux de parois de douche

- Positionner avec précaution les panneaux de parois de douche directement sur le receveur de douche. Éviter de racler le mastic du joint.
- S'assurer que l'encadrement mural est d'aplomb et confirmer que les panneaux des parois de la douche sont espacés de manière égale sur le receveur de douche, étant donné que cela aura une importance critique quant à l'alignement de la porte.
- Si les parois ne sont pas d'aplomb, attacher les fourrures sur les montants selon les besoins afin d'assurer que l'installation des parois est d'aplomb. Caler selon les besoins. Répéter jusqu'à ce que toutes les parois de la douche soient d'aplomb.
- **En cas d'installation de panneaux de parois sur le panneau mural**, appliquer de l'adhésif sur le panneau mural, en recouvrant assez de surface pour fournir une adhérence sûre.
- Enfoncez fermement l'encadrement mural dans le coin, contre les montants ou le panneau mural.
- En commençant à partir du bord extérieur et en continuant vers le coin, fixer l'encadrement mural en place à l'aide de vis pour planches murales tous les 12" (305 mm) à 16" (406 mm), le long de la bride de cloutage. S'assurer que le bas des parois reste en place sur la base.

Installer le mur fini

- Installer le panneau mural avec le rebord d'usine (le rebord à couverture papier) à 1/4" (6 mm) maximum au-dessus de la surface concave finie des panneaux de parois de la douche.
- Poser de la boue, du ruban, et terminer le panneau mural.
- Terminer l'encadrement mural. La bride a une épaisseur de 1/8" (3 mm).



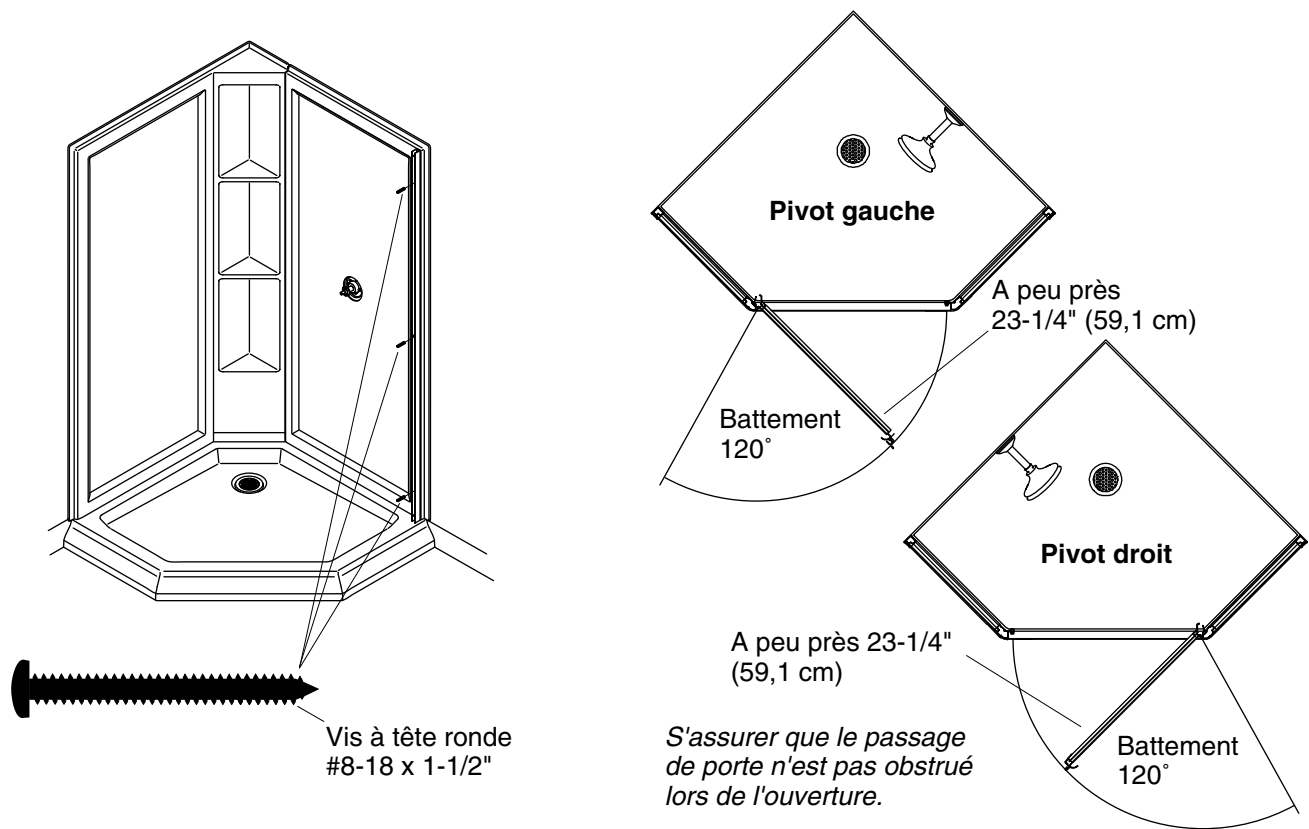
10. Sceller les parois et le collecteur de la douche

NOTE: Suivre les instructions du fabricant du mastic en ce qui concerne l'application et le temps de prise.

- Appliquer de la silicone sur les joints compris entre le collecteur de la douche et les panneaux de parois de douche.
- Appliquer de la silicone le long du joint vertical, entre les deux panneaux de parois de la douche.
- Appliquer de la silicone sur les joints compris entre le collecteur de la douche et les panneaux des plinthes.
- Appliquer de la silicone entre le collecteur de la douche et le sol.
- Laisser le mastic à la silicone sécher selon les instructions du fabricant.
- Installer les barres d'appui ou les porte-serviettes sur l'entretoise installée auparavant. Suivre les instructions du fabricant de l'accessoire.

11. Positionner les montants de mur

- Mesurer 38-1/8" (968 mm) (dimension "A") entre le **panneau arrière de la douche** et le bord avant du receveur de douche et marquer au crayon.
- Positionner le montant de mur sur l'intérieur du repère au crayon sur le receveur de douche.
- Utiliser un niveau à bulle pour mettre le montant de mur d'aplomb.
- Marquer les emplacements des trous des montants de mur sur l'encadrement mural au crayon.



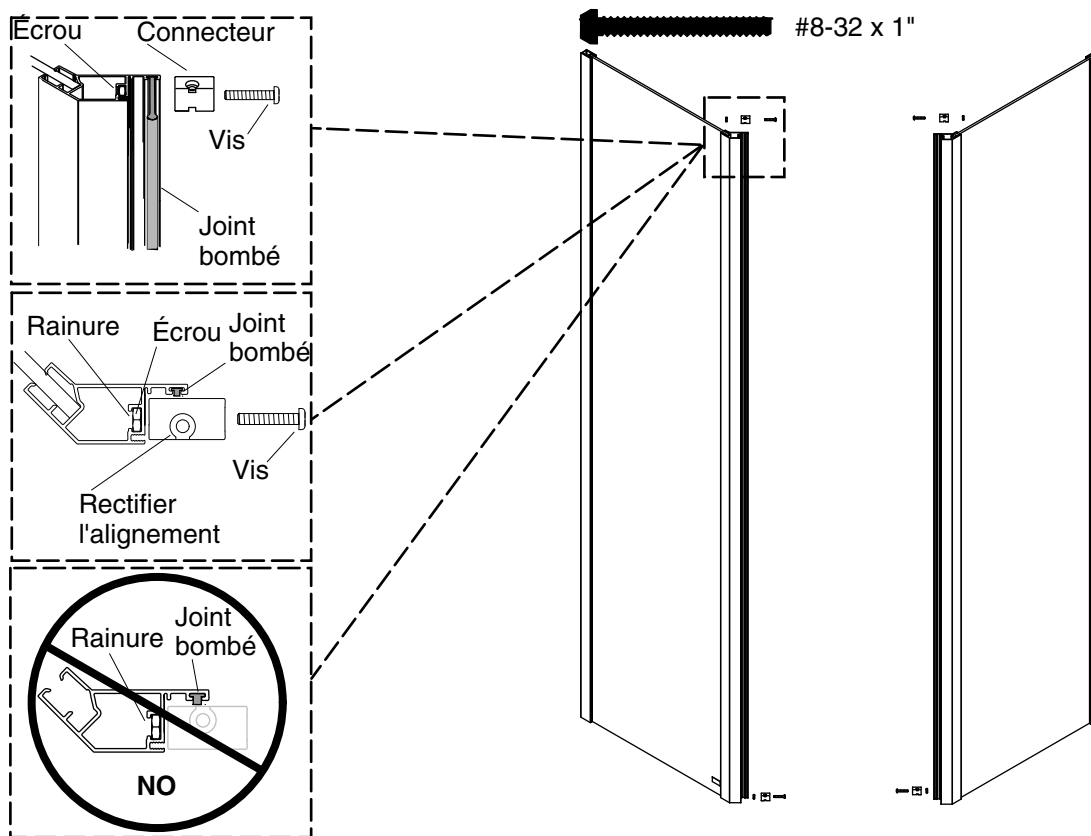
12. Installer les montants de mur

- Positionner le montant de mur contre le mur et aligner les trous se trouvant dans le montant de mur sur les repères au crayon placés sur le panneau de la paroi de la douche.
- Fixer le montant de mur avec trois vis à tête cylindrique #8-18 x 1-1/2".
- Répéter cette procédure pour le deuxième montant de mur.

13. Déterminer la direction du pivotement de la porte

- Déterminer si la porte pivote sur la droite ou la gauche.

NOTE: Les illustrations et les instructions comprises dans ce guide sont destinées à des installations avec pivotement à droite. Les installations avec pivotement à gauche sont à l'opposé de ce qui est illustré et décrit.



14. Installer le bourelet d'étanchéité et les connecteurs

Installer le bourelet d'étanchéité

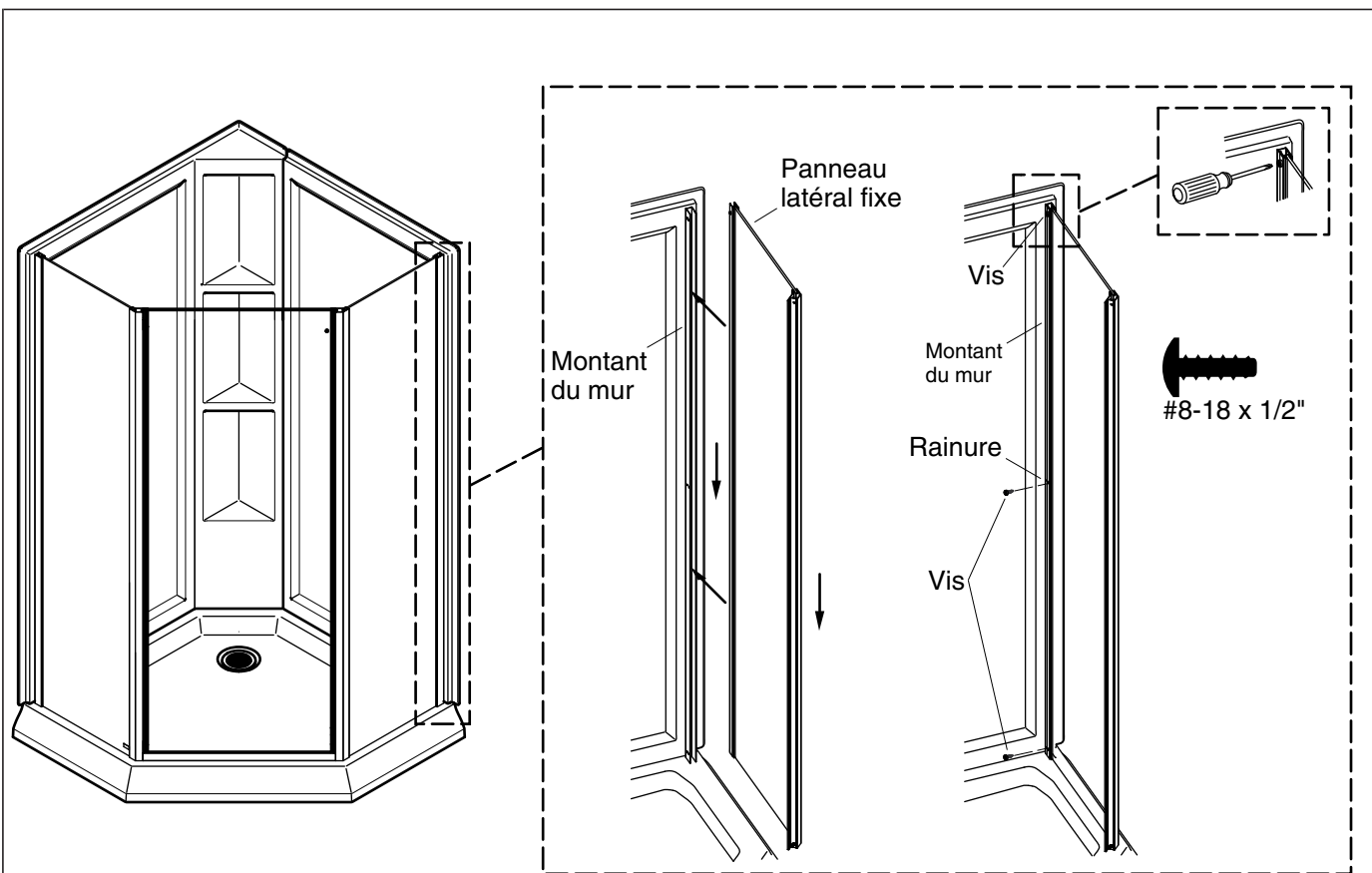
- Couper le bourelet d'étanchéité à 2" (51 mm) de moins que la longueur de la fente.
- Glisser le bourelet d'étanchéité vers le bas dans la fente se trouvant sur le cadre du panneau fixe du côté avec gâche. Il doit se trouver à 1" (25 mm) au-dessous du bord supérieur de la fente lorsqu'il est entièrement installé.

Installer les connecteurs

NOTE: Pour faciliter l'installation, installer les connecteurs pendant que le panneau repose horizontalement sur l'emballage. Ceci empêche les écrous de 8-32 de glisser dans les fentes des panneaux latéraux fixes.

NOTE: Le trou se trouvant dans le connecteur doivent se trouver le plus près de l'extérieur de la douche comme sur l'illustration. Ceci est de première importance pour l'installation de la porte de la douche.

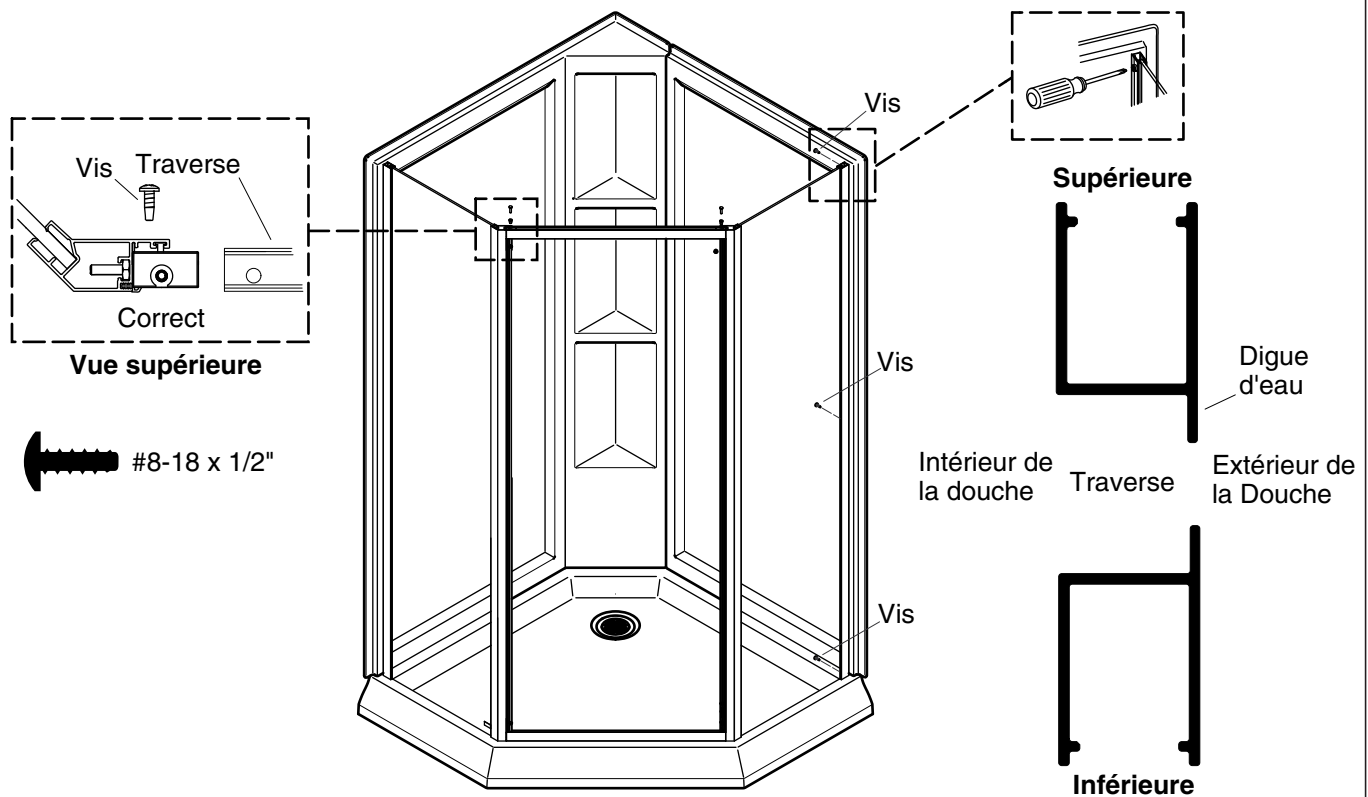
- Placer le connecteur contre la partie avant du bord à angle du panneau latéral fixe.
- Insérer une vis de 8-32 x 1" à travers le connecteur.
- Glisser un écrou de 8-32 dans la fente sur chaque cadre latéral du panneau latéral fixe.
- Serrer la vis, le connecteur, le cadre latéral et l'écrou, en s'assurant que le connecteur reste en ligne avec le panneau fixe.
- Répéter les étapes avec chacun des trois connecteurs restants.



15. Installer les panneaux latéraux fixes

NOTE: Exécuter les procédures ci-dessous à partir de l'intérieur de la douche.

- Pour éviter d'abîmer la surface du receveur de douche, glisser le panneau latéral fixe dans le montant de mur, puis le faire glisser vers le bas, jusqu'à ce qu'il repose sur le receveur de douche.
- Répéter cette procédure avec l'autre panneau latéral fixe.
- Insérer trois vis #8-18 x 1/2" dans les fentes se trouvant dans le montant de mur et serrer sur les trous correspondants dans le panneau fixe. Ne pas serrer complètement.



16. Installer les entretoises

NOTE: La barrière de réservoir se trouvant sur l'entretoise doit être dirigée vers l'extérieur de la douche.

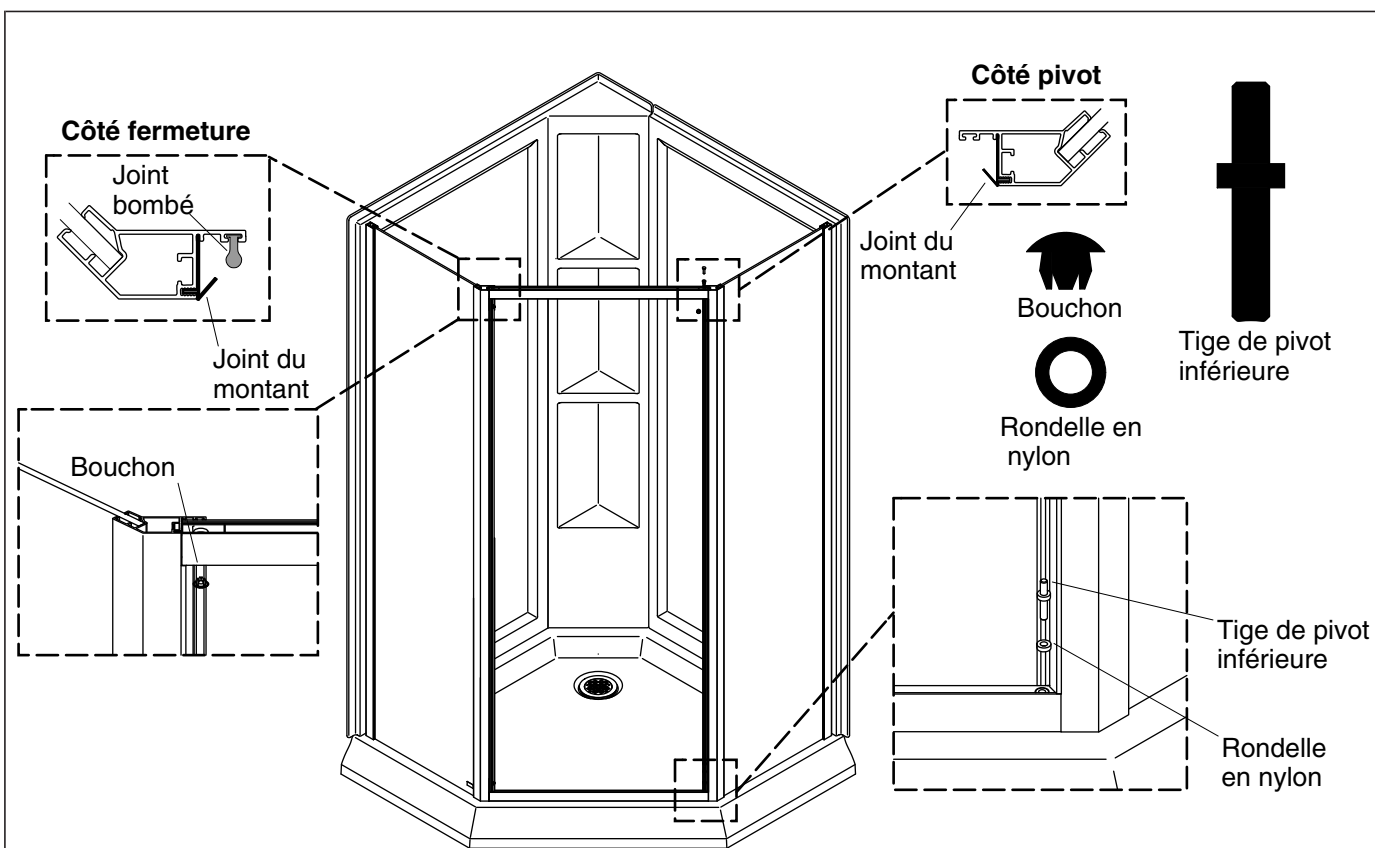
- Faire glisser l'entretoise supérieure et l'entretoise inférieure sur les connecteurs.
- Fixer les entretoises sur les panneaux latéraux fixes en utilisant les vis auto-taraudeuses #8-18 x 1/2".

17. Fixer les panneaux latéraux fixes en place

NOTE: Exécuter les procédures ci-dessous à partir de l'intérieur de la douche.

NOTICE: Ne pas trop serrer les vis. Si elles sont trop serrées, les vis feront courber le côté opposé du montant de mur vers l'extérieur.

- Serrer les vis.
- S'assurer que le montant de mur est toujours d'aplomb. Si un ajustement est nécessaire, desserrer les vis et faire glisser le panneau jusqu'à ce qu'il soit d'aplomb.
- Répéter avec le deuxième panneau latéral.



18. Installer les joints d'étanchéité des montants, les bouchons et l'axe de pivotement inférieur

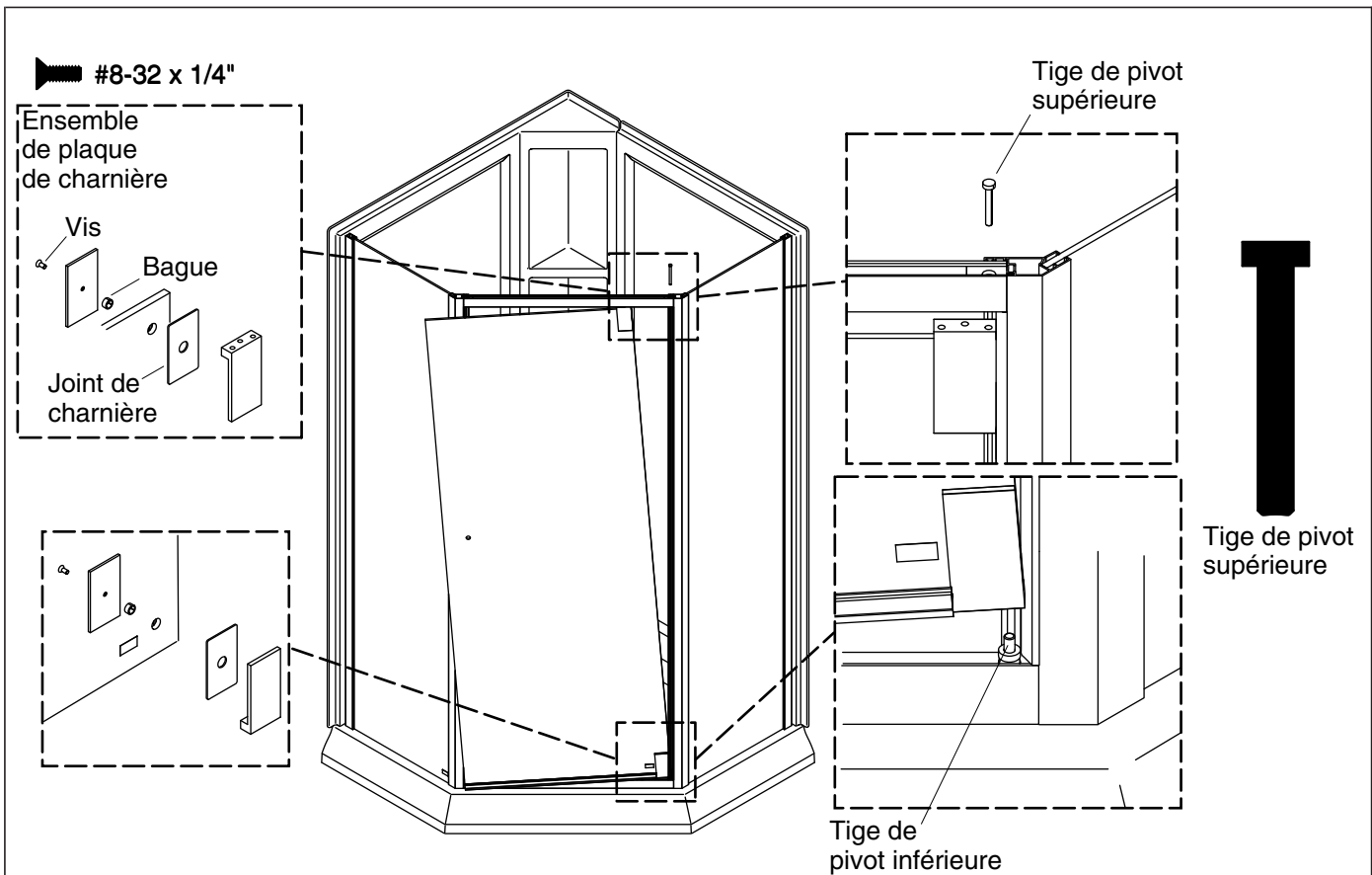
Installer les joints d'étanchéité des montants

NOTE: Le montant avec pivotement et le montant avec gâche reçoivent tous les deux un joint d'étanchéité de montant.

- Positionner le joint d'étanchéité des montants comme sur l'illustration.
- Enfoncez le joint d'étanchéité du montant dans la rainure se trouvant sur le montant.

Installer les bouchons et l'axe de pivotement inférieur

- **Pour les installations avec pivotement à droite:** Insérer un bouchon dans le trou gauche de l'entretoise supérieure et de l'entretoise inférieure. Placer une rondelle en nylon sur le trou inférieur droit dans l'entretoise.
- **Pour les installations avec pivotement à gauche:** Insérer un bouchon dans le trou côté droit se trouvant dans l'entretoise supérieure et l'entretoise inférieure. Placer une rondelle en nylon sur le trou inférieur côté gauche dans l'entretoise.
- Insérer l'axe de pivotement inférieur dans la rondelle en nylon et dans l'entretoise inférieure avec l'extrémité la plus longue de l'axe de pivotement vers le bas.



19. Installer le panneau de porte

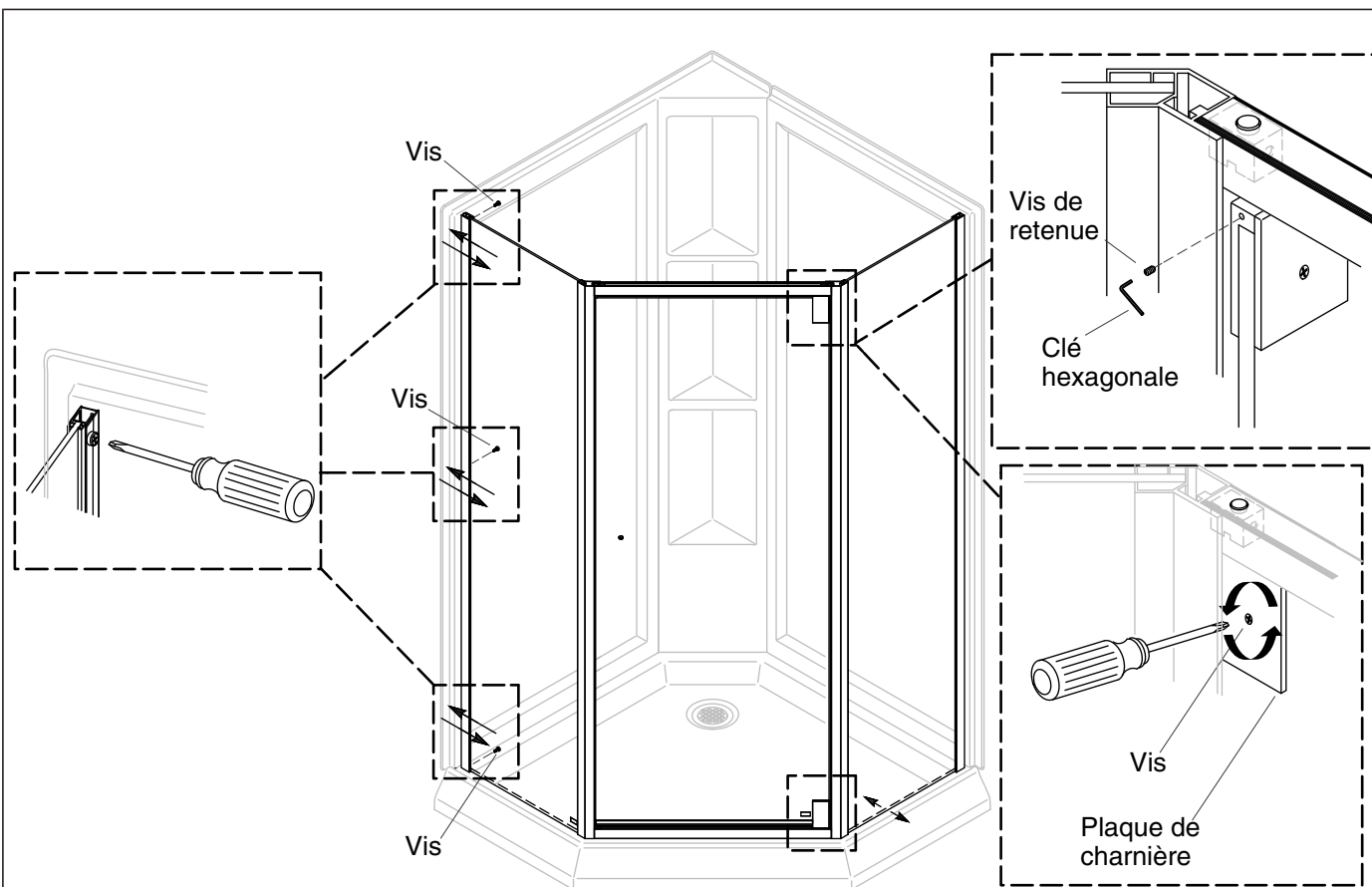
Installer les charnières

NOTE: La surface à revêtement propre du panneau doit être dirigée vers l'intérieur de la douche.

- Attacher le joint statique de charnière sur la charnière en L sur le côté qui va être tourné vers le verre.
- Positionner l'arbre dans le trou se trouvant dans le dessus du panneau de porte sur le côté non recouvert du verre avec le surplomb sur le dessus du panneau.
- Glisser la bague dans le trou se trouvant dans la porte de la douche et par-dessus l'arbre sur la charnière en L.
- Aligner la plaque de charnière sur le trou se trouvant dans le verre. Le trou de la vis d'arrêt se trouvant dans la plaque de charnière doit se trouver le plus près du panneau de porte.
- Enfiler la vis #8-32 x 1/4" dans l'arbre et serrer avec précaution avec un tournevis. Ne pas trop serrer.
- Répéter les étapes pour la charnière inférieure.

Attacher le panneau de porte

- Lever le panneau de porte et aligner le trou de pivotement le plus près du bord du cadre côté porte par-dessus l'axe de pivotement inférieur. Abaisser la porte.
- Aligner le trou de pivotement supérieur du cadre côté porte sur le trou se trouvant dans le bloc de connecteurs.
- Enfiler l'axe de pivotement supérieur dans le bloc de connecteurs et dans le trou de pivotement du cadre côté porte.



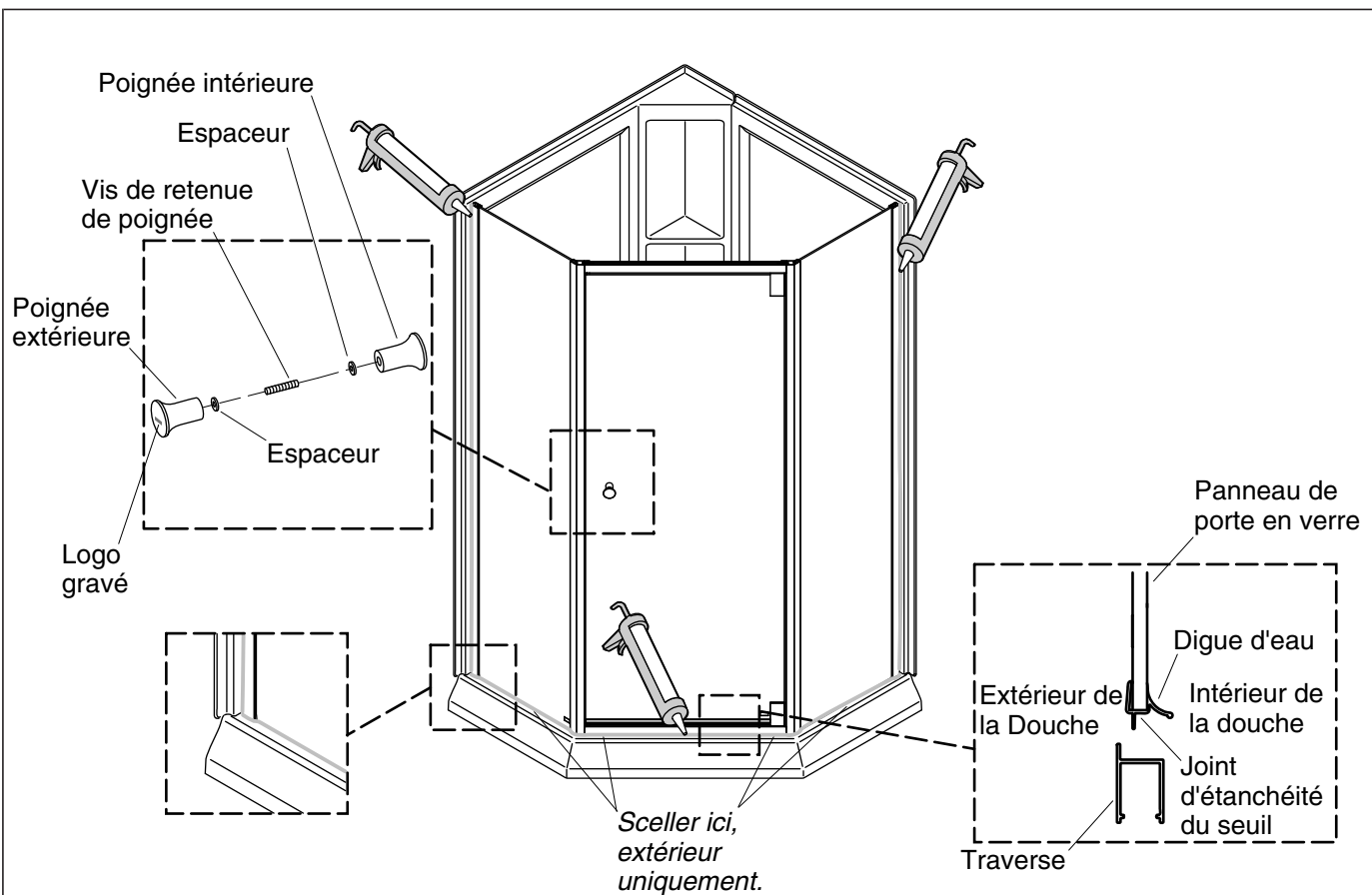
20. Terminer l'installation de la porte et du panneau

Terminer l'installation de la porte

- Ouvrir la porte jusqu'à ce que les trous des vis d'arrêt se trouvant dans les ensembles avec charnière soient exposés.
- Enfiler une vis d'arrêt #8-32 x 1/8" dans chaque ensemble de charnière avec la clé hexagonale fournie, mais ne pas serrer avant que les instructions ne l'indiquent.
- Vérifier le bon fonctionnement de la porte.
- Si des ajustements sont requis, desserrer la vis de charnière.
- Basculer ou déplacer le panneau de porte selon les besoins.
- Serrer la vis à charnière.
- Ouvrir la porte. À partir de l'intérieur de la douche, serrer les vis d'arrêt de charnières sur l'axe de pivotement dans les charnières du haut et du bas.

Ajustements de panneaux latéraux fixes

- Pour ajuster les panneaux latéraux fixes, desserrer les trois vis qui fixent le panneau latéral fixe sur les montants de mur.
- Basculer ou déplacer les panneaux latéraux fixes selon les besoins.
- Serrer les vis de montant de mur.



21. Installer les poignées

CAUTION: Risque de blessures ou d'endommagement du produit. Lors du réassemblage de la poignée de porte, s'assurer de réinstaller les espaceurs fournis dans la configuration illustrée dans la vue jointe. Les poignées ne doivent pas être serrées sur les surfaces dures de verre trempé sans les espaceurs, sinon le verre pourrait se briser en éclats.

NOTE: La poignée est fournie préassemblée et doit être démontée avant d'être installée sur la porte de douche.

- Dévisser la poignée sans logo de l'ensemble de poignée préassemblée.
- Séparer l'espaceur de la vis d'arrêt de la poignée.
- Glisser la vis d'arrêt de la poignée assemblée et l'ensemble de poignée (logo tourné vers l'extérieur de la douche à travers la porte de douche vitrée.
- Réinsérer l'espaceur sur la vis d'arrêt de la poignée.
- Visser l'autre poignée (sans logo) sur la vis d'arrêt de la poignée.
- Serrer complètement les deux poignées de manière égale en s'assurant que le logo est orienté correctement.

22. Installer le joint d'étanchéité du seuil

- Couper le joint d'étanchéité du seuil à la longueur nécessaire.
- Orienter la barrière de réservoir vers l'intérieur de la douche et appuyer sur le joint d'étanchéité du seuil pour l'enfoncer sur le fond du panneau de porte vitrée.

23. Sceller le cadre extérieur



CAUTION: Risque de dommages matériels. Après avoir terminé l'installation, suivre les recommandations du fabricant du mastic d'étanchéité pour la durée de séchage avant d'utiliser la douche. Ceci permettra un séchage adéquat de l'adhésif à panneaux.

IMPORTANT! Suivre les instructions du fabricant du mastic en ce qui concerne l'application et le temps de prise.

NOTE: Bien nettoyer et sécher toutes les poussières et saletés, ainsi que la graisse se trouvant sur les surfaces sur lesquelles le mastic sera appliqué.

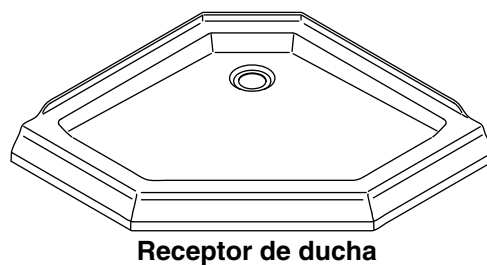
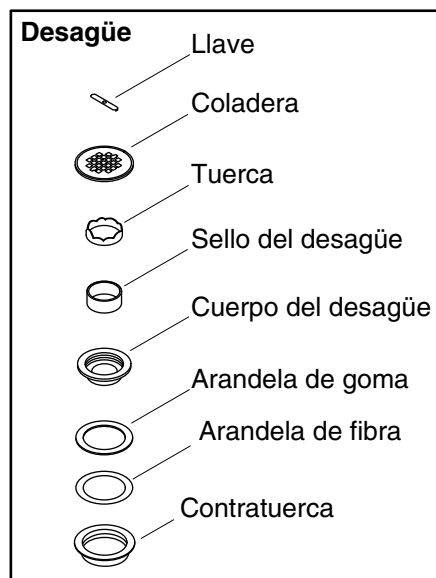
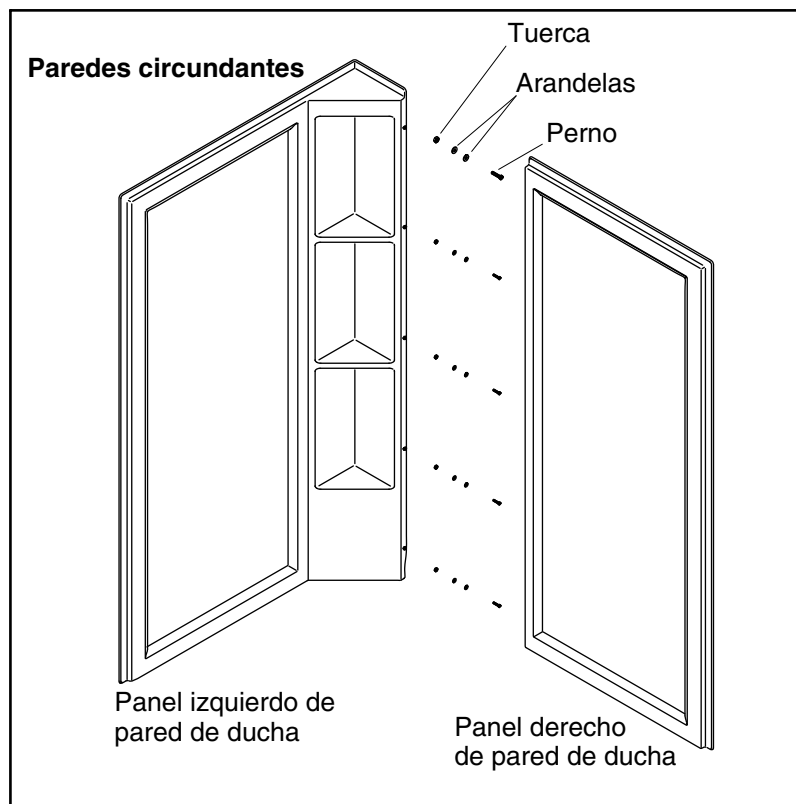
- Appliquer du mastic à la silicone à 100% sur:
 - l'extérieur de la douche, à la jonction des montants de mur et du mur.
 - l'extérieur de la douche, à la jonction de l'entretoise et du receveur de douche.
 - les joints entre le bas des panneaux latéraux fixes, à l'emplacement où ils entrent en contact avec le receveur de douche.

Guía de instalación

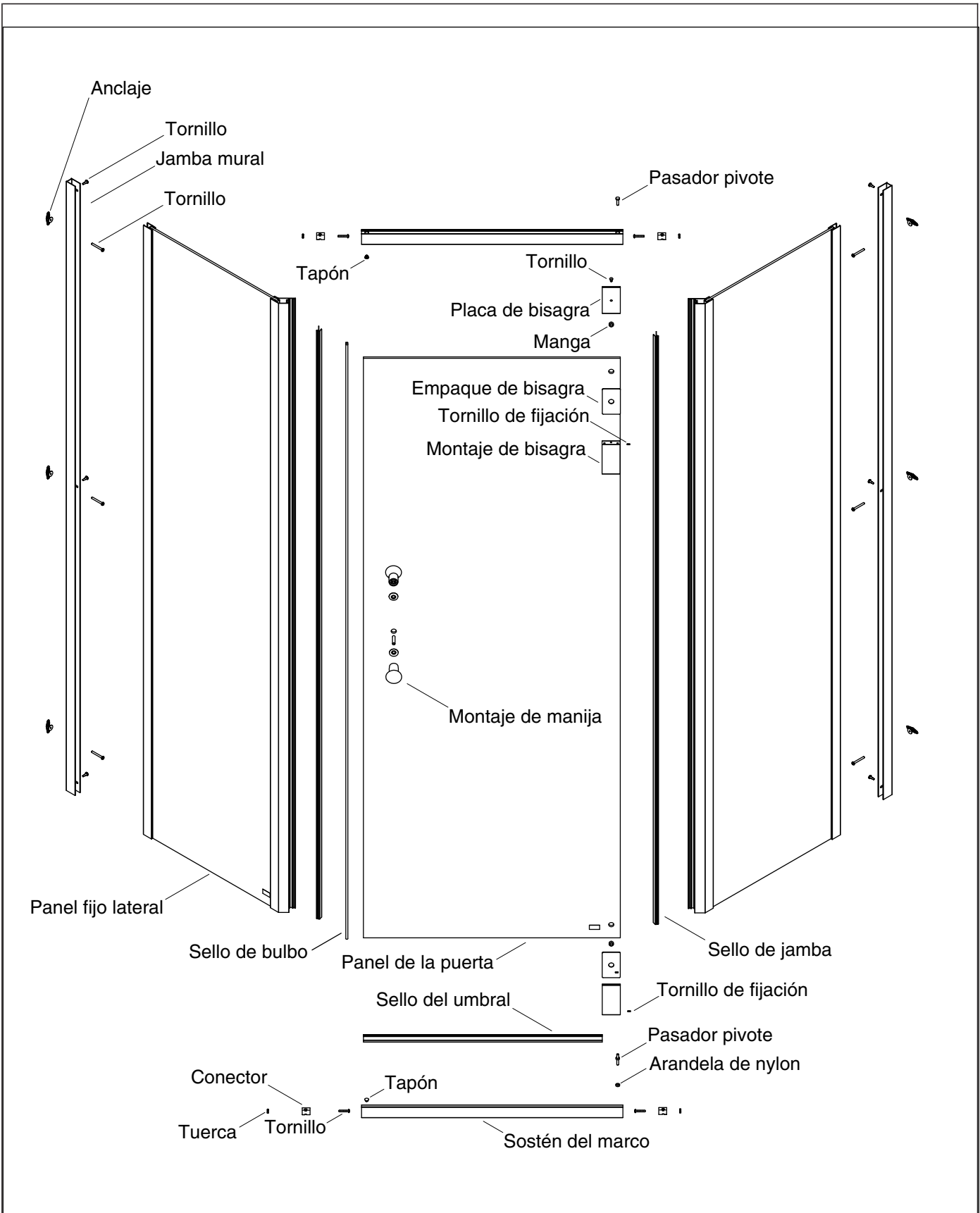
Ducha neo-angular

Antes de comenzar (cont.)

- Las paredes de la ducha se pueden instalar directamente contra los postes de madera o sobre material de pared resistente al agua.
- La puerta de ducha se puede instalar con la apertura hacia la derecha o hacia la izquierda. Para obtener mejores resultados, instale la puerta con el lado pivotante alejado de la cabeza de ducha.
- Las ilustraciones y las instrucciones en esta guía son para instalaciones de puertas con pivote derecho. Las instalaciones con pivote izquierdo serán lo opuesto de lo que se ilustra y describe aquí, a menos que se den instrucciones específicas.
- Separe e identifique todas las piezas. Revise que no tengan daños.
- Vuelva a poner los paneles de vidrio en el embalaje y colóquelos en un lugar seguro hasta que los instale.
- Si va a cambiar una unidad en servicio, confirme que el nuevo modelo lo pueda reemplazar bien en el espacio disponible antes de desmontar la unidad anterior.
- No instale la ducha sobre vigas expuestas del piso.
- Sterling se reserva el derecho de modificar el diseño de productos sin previo aviso, tal como se especifica en la lista de precios.



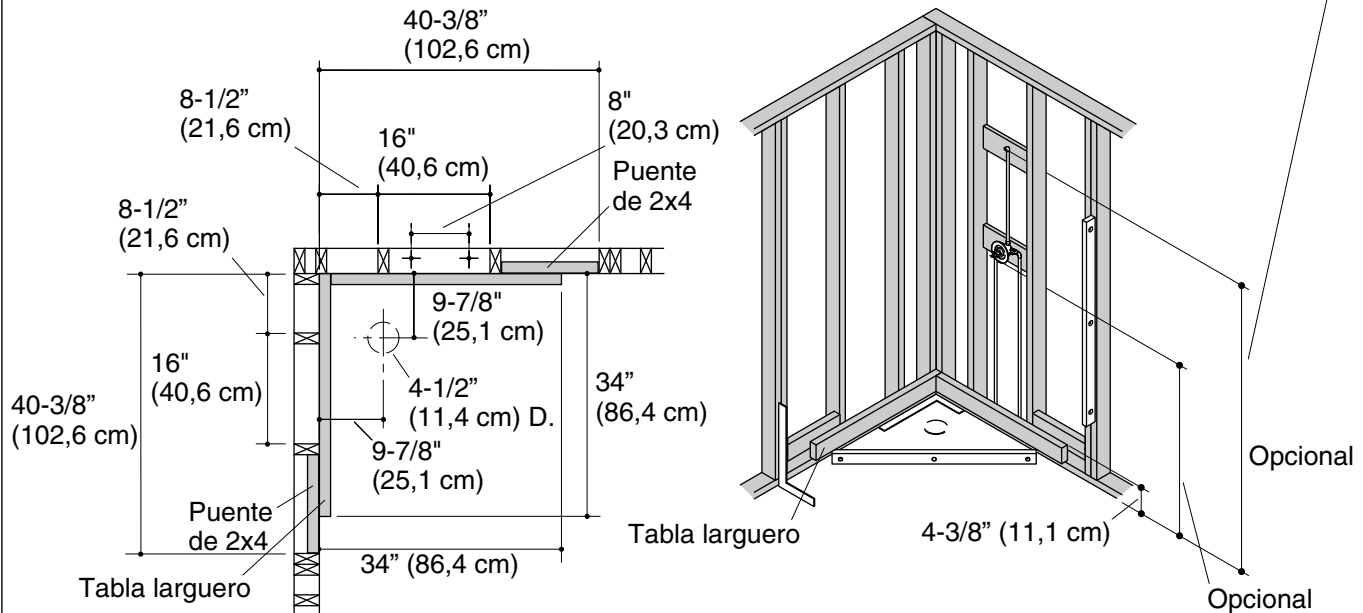
Identificación de piezas



Identificación de piezas

Nota: Los controles deben estar centrados entre los postes. Si la pared no está a plomo, será necesario ajustar los suministros de plomería y la ubicación de los controles.

Nota: Estas dimensiones son para montar la cabeza de ducha en la parte superior de la pared de ducha. Si la cabeza de ducha se va a montar por encima de la pared de ducha, ignore estas dimensiones y ajuste los suministros de plomería según sea necesario.



1. Construya la estructura de postes de madera

NOTE: Si es posible, revise las dimensiones del anillo decorativo de la cabeza de ducha. Si el diámetro del anillo decorativo excede 2-1/8" (5,4 cm), entonces instale el brazo de la ducha sobre la pared de la ducha en un lugar adecuado.

- La cabeza de ducha puede instalarse en la pared de la ducha o sobre esta. Tome en consideración la altura de los usuarios de la ducha al determinar el lugar de la instalación. Las dimensiones provistas son solo para instalación en pared de ducha.
- Construya la estructura de postes de madera de acuerdo a los diagramas de instalación y de estructura.

NOTE: Si la estructura de postes de madera es distinta de la que se muestra, es posible que se requieran refuerzos adicionales para asegurar la adhesión correcta a la pared.

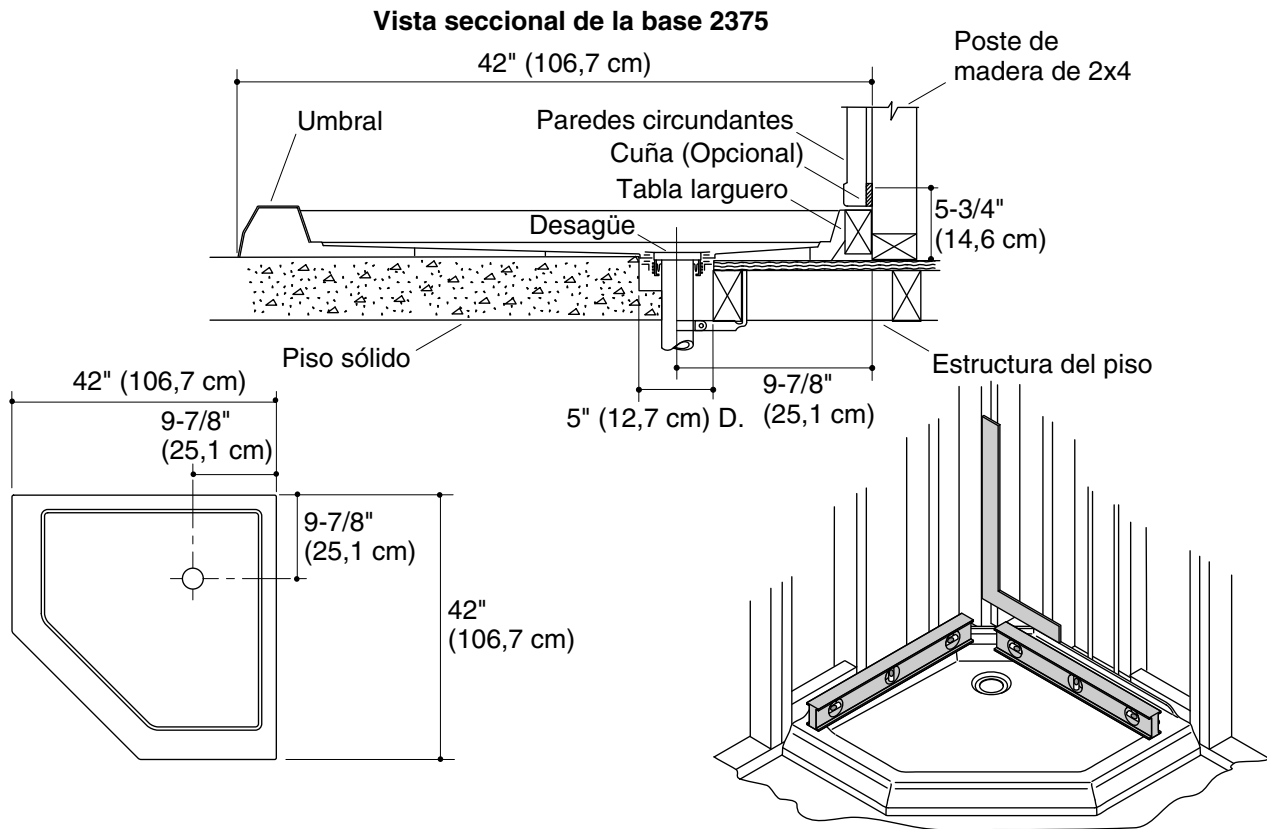
- Agregue refuerzos o soportes si está instalando agarraderas o toalleros de barra. Consulte las instrucciones del fabricante de accesorios.
- Agregue refuerzos de 2x4 entre los postes de madera más cercanos a los bordes delanteros de la bandeja receptora en cada pared a una altura central de 5" (12,7 cm). La pestaña para clavar de la bandeja receptora se une a los refuerzos y a los postes de madera.
- Corte un tablero de reborde de 2x4 a 34" (86,4 cm) de longitud y corte un segundo tablero de reborde de 2x4 a 32-1/2" (82,6 cm) de longitud.
- En la parte superior de los tableros de reborde debe quedar a 4-3/8" (11,1 cm) sobre el subpiso. Fije los tableros de reborde a los postes de madera para proporcionar soporte al borde. Primero fije el tablero de 34" (86,4 cm), luego el tablero más corto de forma que toque contra el primer tablero.
- La plomería puede instalarse en la pared de la ducha o sobre esta. Las dimensiones provistas se deben usar en cualquier pared.

Construya la estructura de postes de madera (cont.)

- Si la unidad está instalada contra una pared de mampostería, use listones de enrasar para fijar la unidad. La configuración de los listones de enrasar debe ser igual a la configuración de postes de madera que se muestra.
- **Si la instalación es sobre material de pared resistente al agua**, introduzca anclajes de pared donde haya instalado refuerzos entre los postes de madera, y fije la pestaña para clavar de la ducha a la pared.

2. Instale la plomería

- Instale el desagüe según las dimensiones mostradas arriba. Mida y corte la abertura para el orificio de desagüe en el piso e instale el tendido de líneas de desagüe.
- Instale el tendido de plomería en la dimensión mostrada arriba. El tendido de plomería debe instalarse antes de instalar la unidad.



3. Ubique el tubo de desagüe y el receptor de ducha

Ubique el tubo de desagüe

NOTE: El sistema de desagüe está diseñado para un tubo de desagüe de 2" (51 mm) que esté al ras con el subpiso.

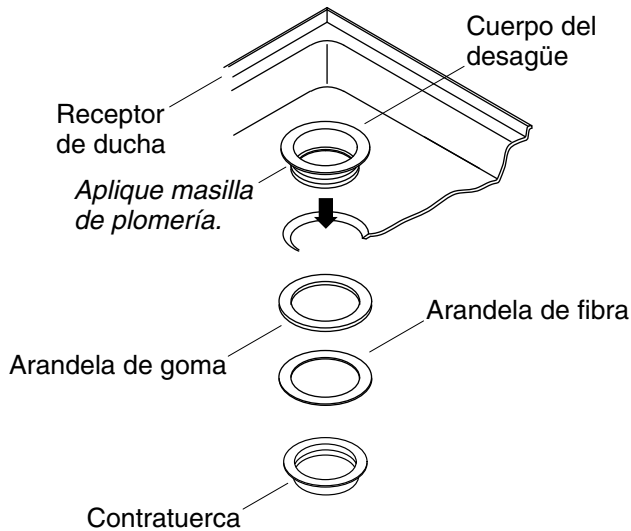
- Determine la ubicación del tubo de desagüe utilizando las dimensiones ilustradas.
- Corte un orificio de 5" (127 mm) a 5-1/2" (140 mm) en el subpiso. Esto deja suficiente espacio libre para el sistema de desagüe.
- Instale el tubo de desagüe de acuerdo a las dimensiones mostradas en la ilustración de arriba. Verifique que el tubo de desagüe se soporte a sí mismo y que esté bien sujetado.

Ubique la base de ducha

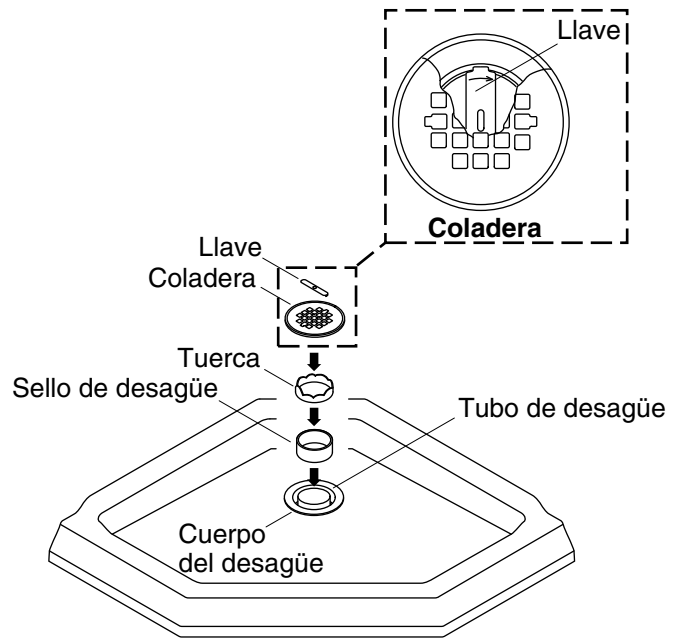
NOTE: El subpiso bajo la base de ducha debe estar nivelado. Ajuste el subpiso con compuesto de nivelar según se necesite. No utilice cuñas.

- Coloque la base de ducha con firmeza contra las dos paredes adyacentes.
- Verifique que la base de ducha quede al ras contra los postes de madera.
- Si la base de ducha no está al ras contra los postes, utilice cuñas entre la pestaña para clavar y los postes de madera según se requiera.

Ensamble el cuerpo del desagüe al receptor de la ducha



Termine la instalación del cuerpo del desagüe



4. Instale el cuerpo del desagüe

NOTE: Para facilitar la instalación, pida ayuda para levantar la base de ducha.

Ensamble el cuerpo del desagüe a la base de ducha

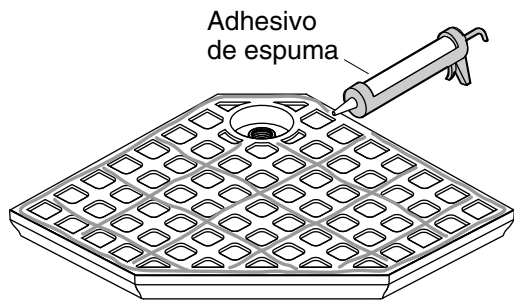
- Aplique masilla de plomería al lado inferior del labio de desagüe e introduzca el cuerpo del desagüe a través de la base de ducha.
- Deslice la arandela de goma y la arandela de fibra en el cuerpo del desagüe por abajo de la base de ducha.
- Fije el cuerpo del desagüe a la base de ducha con la contratuerca.

Coloque la base de ducha.

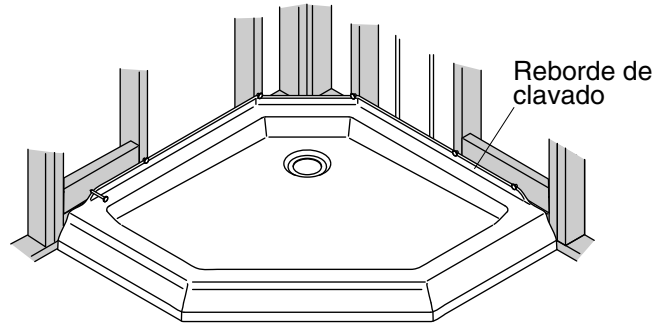
- Coloque la base de ducha sobre el tubo de desagüe.

Complete la instalación del cuerpo del desagüe

- Inserte el sello de desagüe y la tuerca en el tubo de desagüe.
- Utilice la llave de tuercas provista para girar a la derecha la tuerca hasta que el sello de desagüe quede comprimido. Retire la llave.
- Coloque la coladera en el cuerpo del desagüe.



Vista inferior



Vista superior

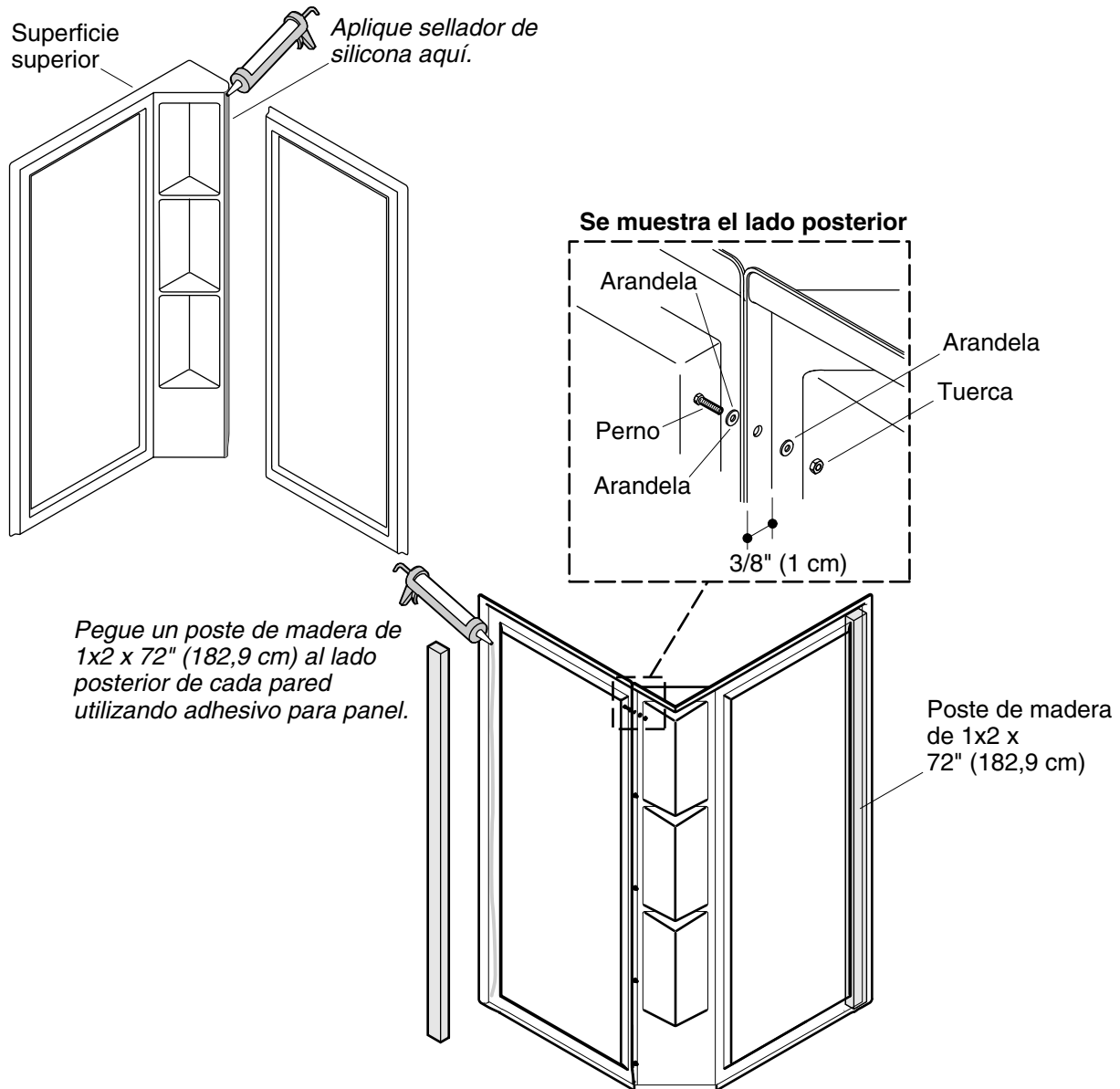
5. Fije el receptor de ducha

IMPORTANT! Si el receptor de ducha no está nivelado, corregir la alineación de la puerta podría resultar difícil.

- Confirme que el receptor de ducha esté nivelado. Si es necesario nivele el receptor de ducha.
- Aplique hilos continuos de adhesivo en espuma en las salientes en la parte inferior del receptor de ducha.
- Cambie de posición el receptor de ducha y oprima hacia abajo con firmeza para asegurar que el adhesivo haga buen contacto.

IMPORTANT! Al usar un taladro para instalar los tornillos, asegúrese de que el taladro no haga contacto con el receptor de ducha. Eso dañaría la superficie.

- Ubique y taladre orificios de separación de 3/16" en el centro vertical de la pestaña para clavar, centrados en cada poste de madera.
- Con tornillos fije el receptor a los postes de madera y a los refuerzos a través de los orificios de separación.



6. Ensamble la pared circundante

- Si no se han instalado las válvulas, instálelas de acuerdo a las instrucciones del fabricante de válvulas.
- Coloque los paneles murales de la ducha verticales sobre una superficie plana y limpia, con las pestañas alineadas como se muestra.
- Asegúrese de que ambos paneles murales de la ducha estén descansando planos en el piso.
- Aplique un hilo continuo **mínimo** de 1/4" (6 mm) de sellador al 100% de silicona transparente resistente al moho en una de las superficie de apareamiento entre los paneles murales de la ducha.
- Coloque las paredes juntas y ensamble el perno, las arandelas y la tuerca en cada lugar.
- Apriete los sujetadores con una llave de tuercas de 1/4" y con una llave de trinquete con un dado de 11/32". No apriete demasiado.
- Limpie el exceso de sellador.

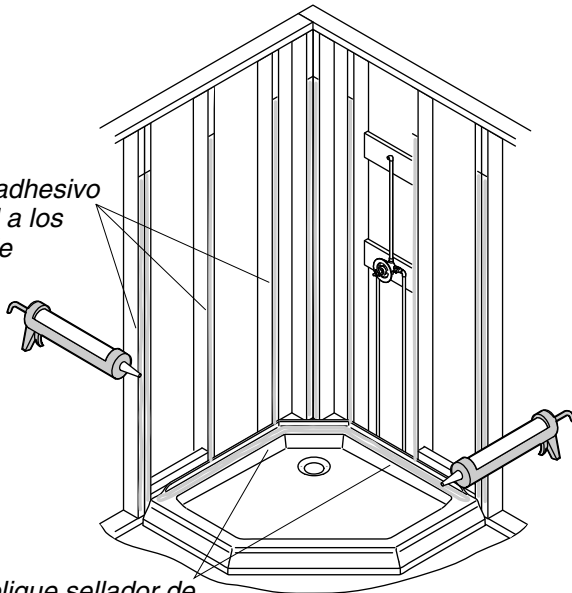
Ensamble la pared circundante (cont.)

- Una un poste de madera de 1x2 x 72" (182,9 cm) al borde posterior exterior de cada panel mural de la ducha con adhesivo para paneles, para producir una unión sólida a las jambas murales.

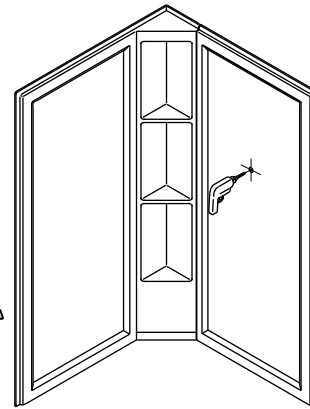
Nota: Si el anillo decorativo de la cabeza de ducha tiene un diámetro mayor de 2-1/8" (5,4 cm), se recomienda que la cabeza de ducha se instale arriba del filo superior de la pared circundante si el espacio lo permite.

Orificio de la válvula de suministro de agua
Orificio guía

Aplique adhesivo de panel a los postes de madera.



Aplique sellador de silicona al receptor de ducha.



Perfore el orificio u orificios de la espiga de la válvula por el frente del panel de la pared.

Nota: Al determinar la ubicación de la abertura para la válvula, mida la distancia desde el reborde superior del receptor de ducha.

7. Corte los orificios de suministro



CAUTION: Riesgo de daños al producto. Antes de taladrar revise y vuelva a revisar los lugares de las válvulas y de la cabeza de ducha. Los orificios deben estar en el lugar correcto.



CAUTION: Riesgo de lesiones. Utilice anteojos de seguridad al cortar o al taladrar.

- Marque el centro de la válvula de suministro en el lado frontal del panel mural de la ducha apropiado. Al determinar la ubicación del recorte para la válvula, mida la distancia del reborde superior del receptor de ducha.
- Los orificios deben quedar alineados con las dimensiones del tendido de plomería de la sección "Construya la estructura de postes de madera", y deben quedar en la línea central del panel mural a la distancia correcta del piso.
- Consulte las instrucciones del fabricante de válvulas para determinar el tamaño correcto de los orificios. Asegúrese de que la placa de cubierta de la válvula sea lo suficientemente grande para cubrir los orificios.
- Taladre orificios guía de 1/4" (6 mm) en los lugares marcados en el panel mural adecuado de la ducha.
- Desde la superficie acabada de la panel mural de la ducha, recorte los orificios necesarios para las válvulas. Es preferible usar una broca tipo corona perforadora, pero si no tiene el tamaño correcto puede usar una sierra caladora eléctrica con una hoja de dientes finos.
- Antes de cortar proteja la superficie acabada con cinta de enmascarar.

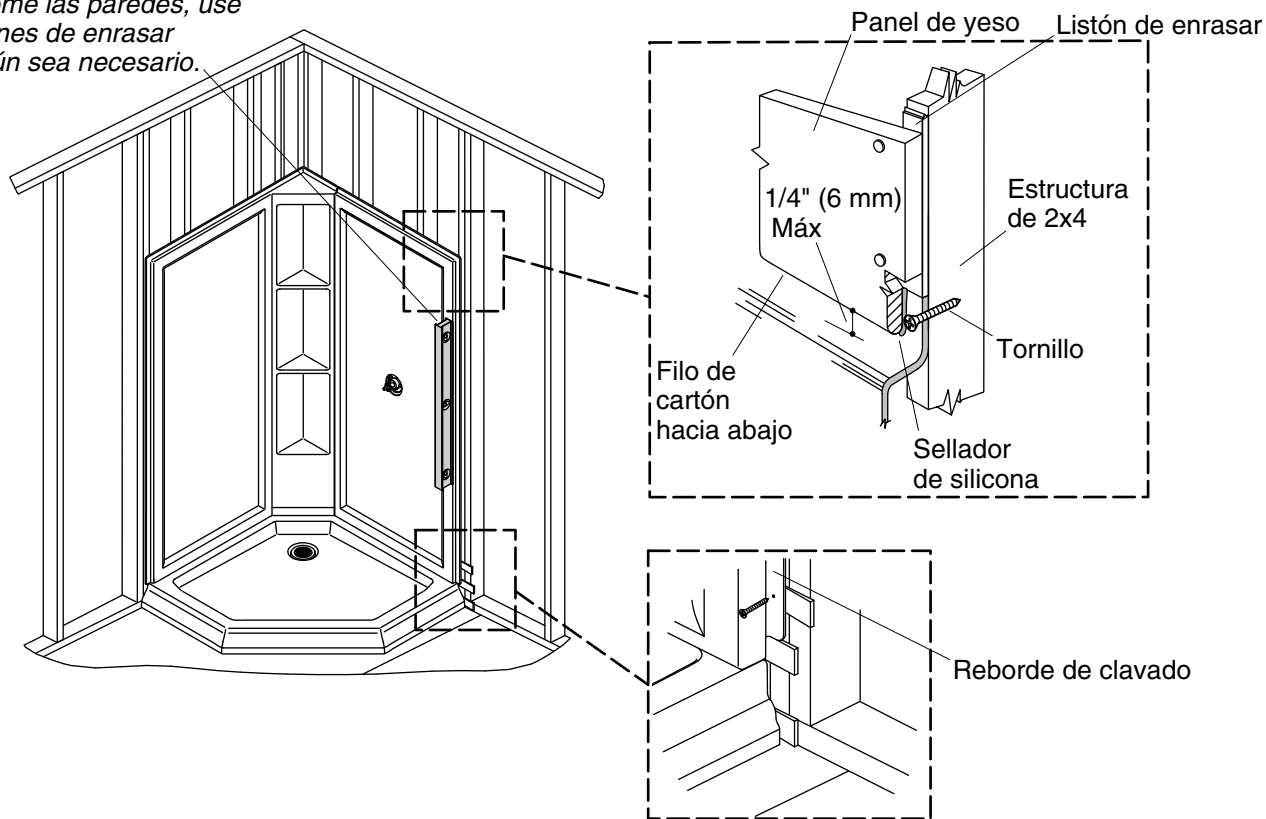
8. Selle el receptor de ducha y prepare la pared de postes de madera

IMPORTANT! Siga las instrucciones de aplicación y secado recomendadas por el fabricante del sellador.

NOTE: Limpie completamente el polvo, la suciedad y la grasa de la base de la ducha donde se aplicará el sellador.

- Aplique un hilo continuo de por lo menos 1/4" (6 mm) de sellador 100% de silicona transparente y resistente al moho alrededor de la base de la ducha donde la estructura circundante de la pared entra en contacto con la base de la ducha.
- Aplique un hilo continuo de adhesivo para paneles hacia abajo de cada poste de madera que quedará en contacto con la parte posterior de la pared circundante.

Aplome las paredes, use listones de enrasar según sea necesario.



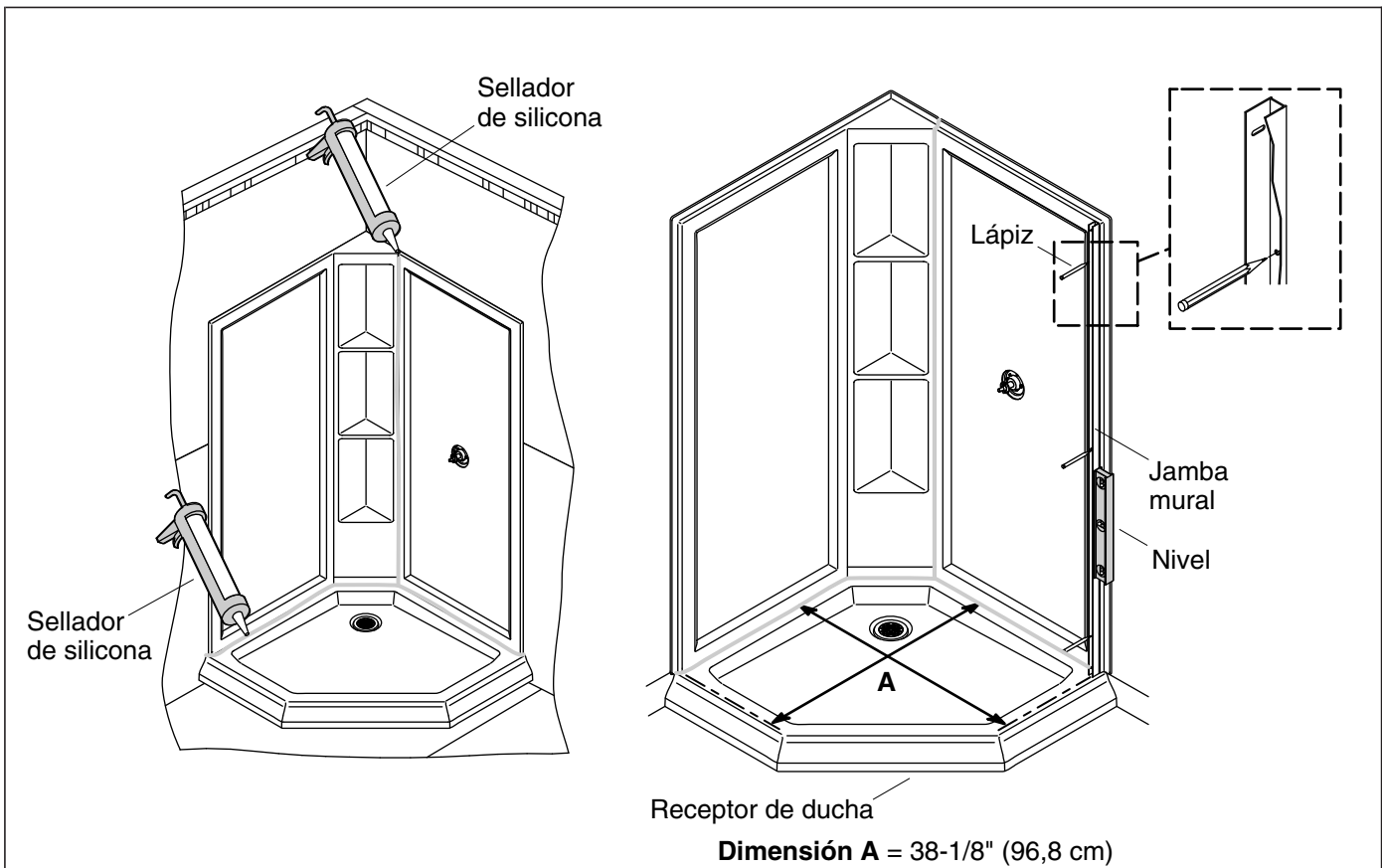
9. Instale la pared circundante

Instale los paneles murales de la ducha

- Coloque con cuidado los paneles murales de la ducha directamente en la base de la ducha. Evite raspar el sellador de la junta.
- Asegúrese de que la pared circundante esté a plomo y confirme que los paneles murales de la ducha estén espaciados de forma pareja en la base de la ducha, ya que esto juega un papel importante en que la puerta quede alineada.
- Si las paredes no están a plomo, fije listones de enrasar a los postes de madera según sea necesario para asegurar que la instalación de la pared quede a plomo. Utilice cuñas según sea necesario. Repita hasta que las paredes de la ducha queden a plomo.
- **Si va a instalar los paneles murales de la ducha sobre paneles de yeso**, aplique adhesivo sobre el panel de yeso, y cubra el área suficiente para crear una unión segura.
- Oprima la pared circundante con firmeza en la esquina contra los postes de madera o los paneles de yeso.
- Comenzando con el borde exterior y trabajando hacia la esquina, fije la estructura circundante de la pared con tornillos para panel de yeso de cada 12" (305 mm) a cada 16" (406 mm) a lo largo de la pestaña para clavar. Asegúrese de que la parte inferior de las paredes quede en su lugar en la base.

Instale la pared acabada

- Instale los paneles de yeso con el borde de la fábrica (el borde con papel) a un máximo de 1/4" (6 mm) sobre la superficie cóncava acabada de los paneles murales de la ducha.
- Aplique yeso, cinta y terminado a los paneles de yeso.
- Termine la pared de la estructura circundante. La pestaña mide 1/8" (3 mm) de espesor.



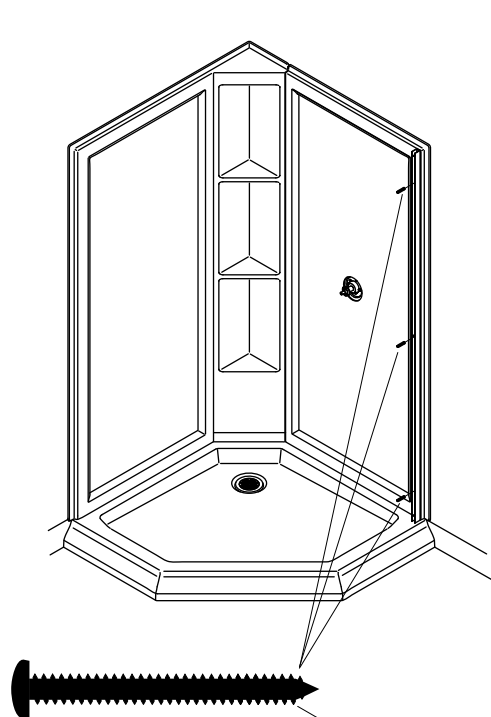
10. Selle las paredes y el receptor de la ducha

NOTE: Siga las instrucciones de aplicación y tiempo de secado del fabricante del sellador.

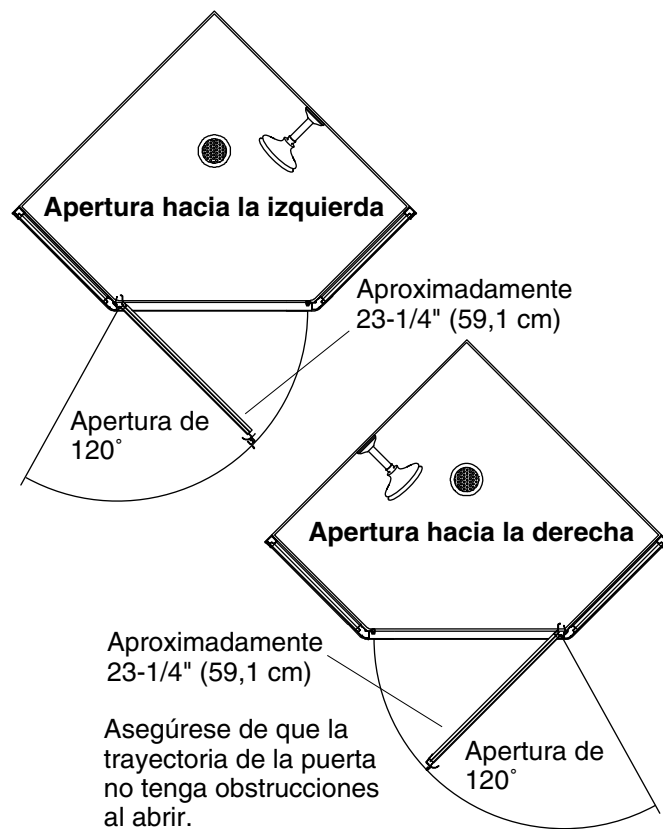
- Aplique silicona a las juntas entre el receptor de ducha y los paneles murales de la ducha.
- Aplique silicona a la junta vertical entre los dos paneles murales de la ducha.
- Aplique silicona a las juntas entre el receptor de ducha y el tablero de la base.
- Aplique silicona entre el receptor de ducha y el piso.
- Deje que el sellador de silicona se seque de acuerdo a las instrucciones del fabricante.
- Instale las agarraderas y los toalleros de barra a los refuerzos que instaló anteriormente. Siga las instrucciones del fabricante de los accesorios.

11. Instale las jambas murales

- Mida 38-1/8" (968 mm) (dimensión "A") de la **panel posterior de la ducha** al borde delantero de la base de la ducha y haga una marca con un lápiz.
- Coloque la jamba mural en el lado interior de la marca con lápiz en la base de la ducha.
- Con un nivel, aplome la jamba mural.
- Marque los lugares de los orificios de la jamba mural en la pared circundante con un lápiz.



Fije con un tornillo de cabeza redonda del #8-18 x 1-1/2"



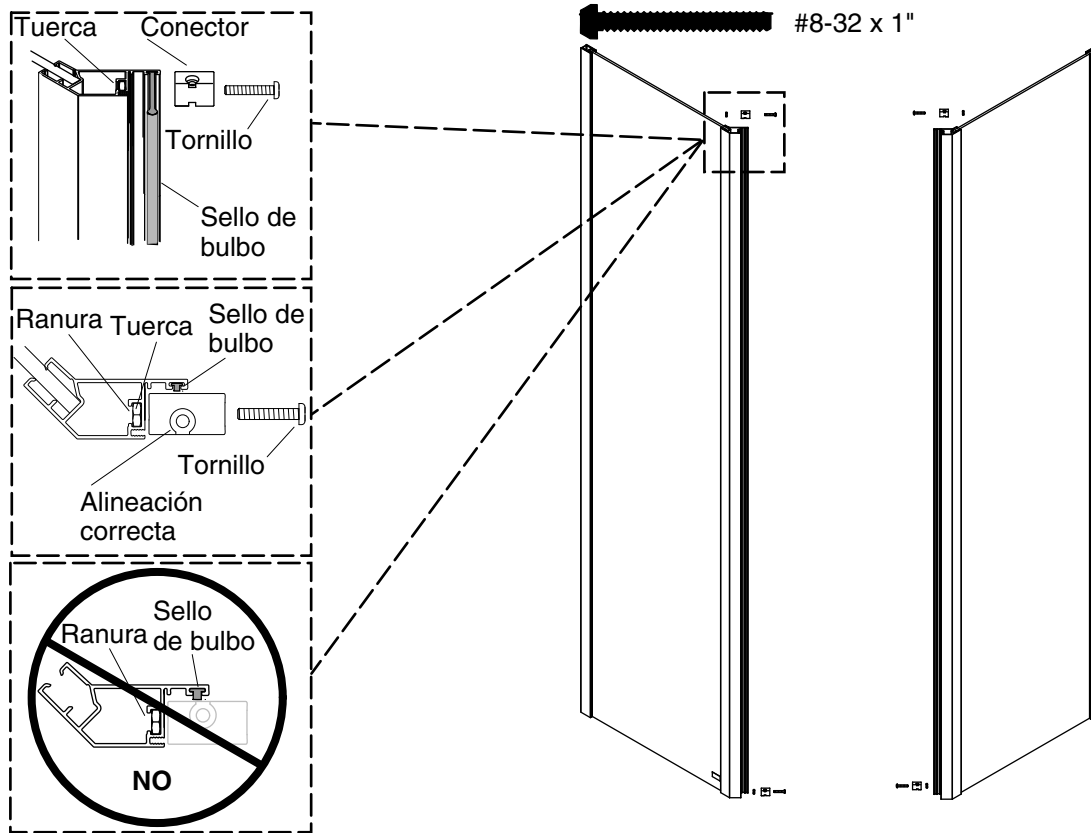
12. Instale las jambas murales

- Coloque la jamba mural contra la pared y alinee los orificios de la jamba mural con las marcas con lápiz en el panel mural de la ducha.
- Fije la jamba mural con tres tornillos de cabeza redonda #8-18 x 1-1/2".
- Repita este procedimiento con la segunda jamba mural.

13. Determine la dirección en que se abrirá la puerta

- Determine si la puerta pivotará hacia la derecha o hacia la izquierda.

NOTE: Las ilustraciones y las instrucciones en esta guía son para instalaciones de puertas con pivote derecho. Las instalaciones con pivote izquierdo serán lo opuesto de lo que se ilustra y describe.



14. Instale el sello en forma de bulbo y los conectores

Instale el sello en forma de bulbo

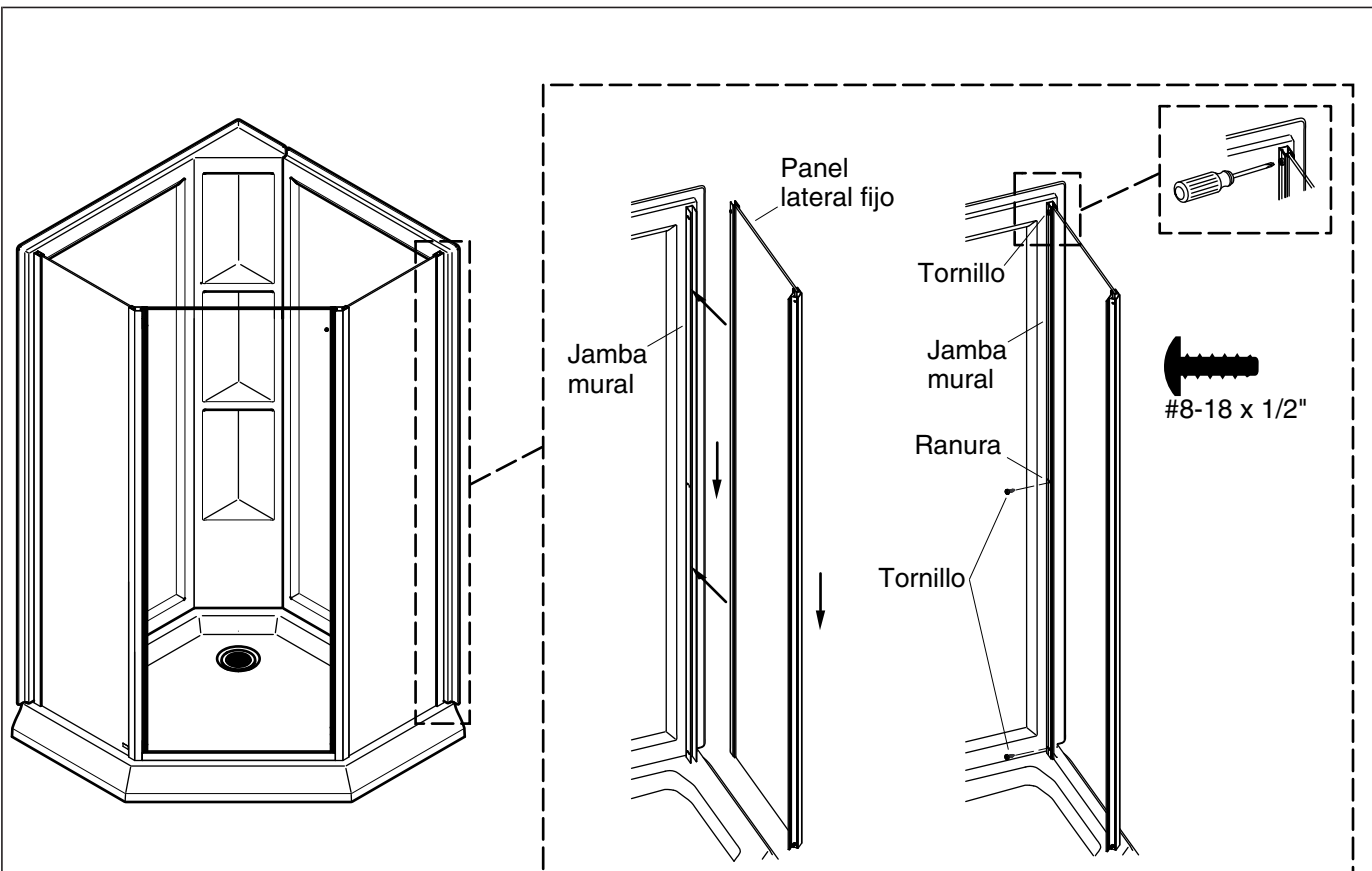
- Recorte el sello en forma de bulbo a que quede 2" (51 mm) más corto que la longitud de la ranura.
- Deslice el sello en forma de bulbo en la ranura en el contacto del marco de los paneles fijos laterales. Debe quedar 1" (25 mm) abajo del borde superior de la ranura cuando quede completamente instalado.

Instale los conectores

NOTE: Para facilitar la instalación, instale los conectores mientras el panel esté horizontal sobre el material de embalaje. Esto evita que las tuercas de 8-32 se deslicen en las ranuras de los paneles fijos laterales.

NOTE: El orificio en el conector debe estar lo más cerca al exterior de la ducha, como se muestra. Esto es crítico para la instalación de la puerta de ducha.

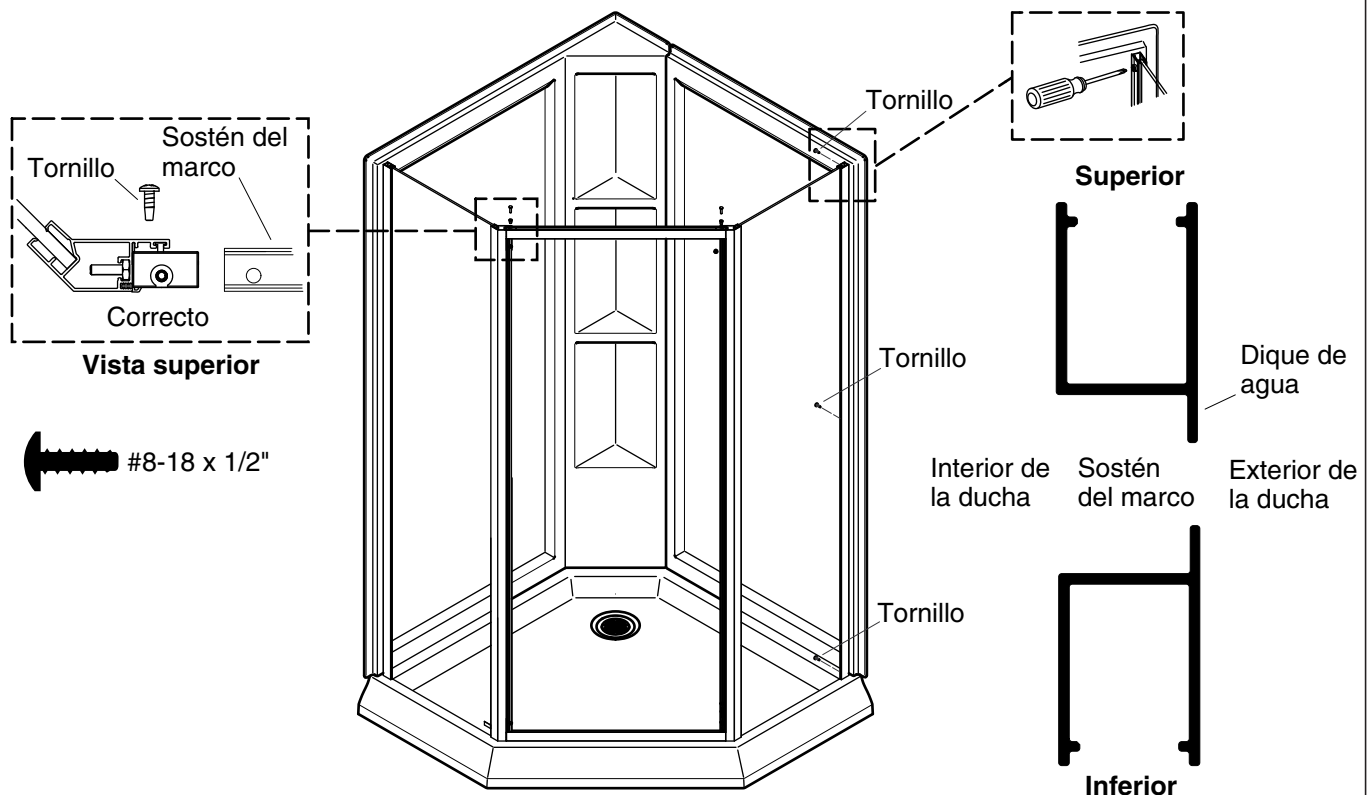
- Coloque el conector contra la cara del borde angular del panel fijo lateral.
- Introduzca un tornillo de 8-32 x 1" a través del conector.
- Deslice una tuerca de 8-32 en la ranura en cada marco lateral del panel fijo lateral.
- Apriete el tornillo, el conector, el marco lateral y la tuerca, asegurándose de que el conector permanezca en línea con el panel fijo.
- Repita los pasos con cada uno de los tres conectores restantes.



15. Instale los paneles fijos laterales

NOTE: Realice los procedimientos siguientes desde el interior de la ducha.

- Para evitar rayar la superficie de la base de la ducha, deslice el panel fijo lateral en la jamba mural, luego deslícelo hacia abajo hasta que quede descansando en la base de la ducha.
- Repita este procedimiento con el otro panel fijo lateral.
- Introduzca tres tornillos #8-18 x 1/2" a través de las ranuras en la jamba mural y atorníllelos en los orificios correspondientes en el panel fijo. No apriete por completo.



16. Instale los sostenes del marco

NOTE: El dique de agua en el sostén del marco debe quedar hacia el exterior de la ducha.

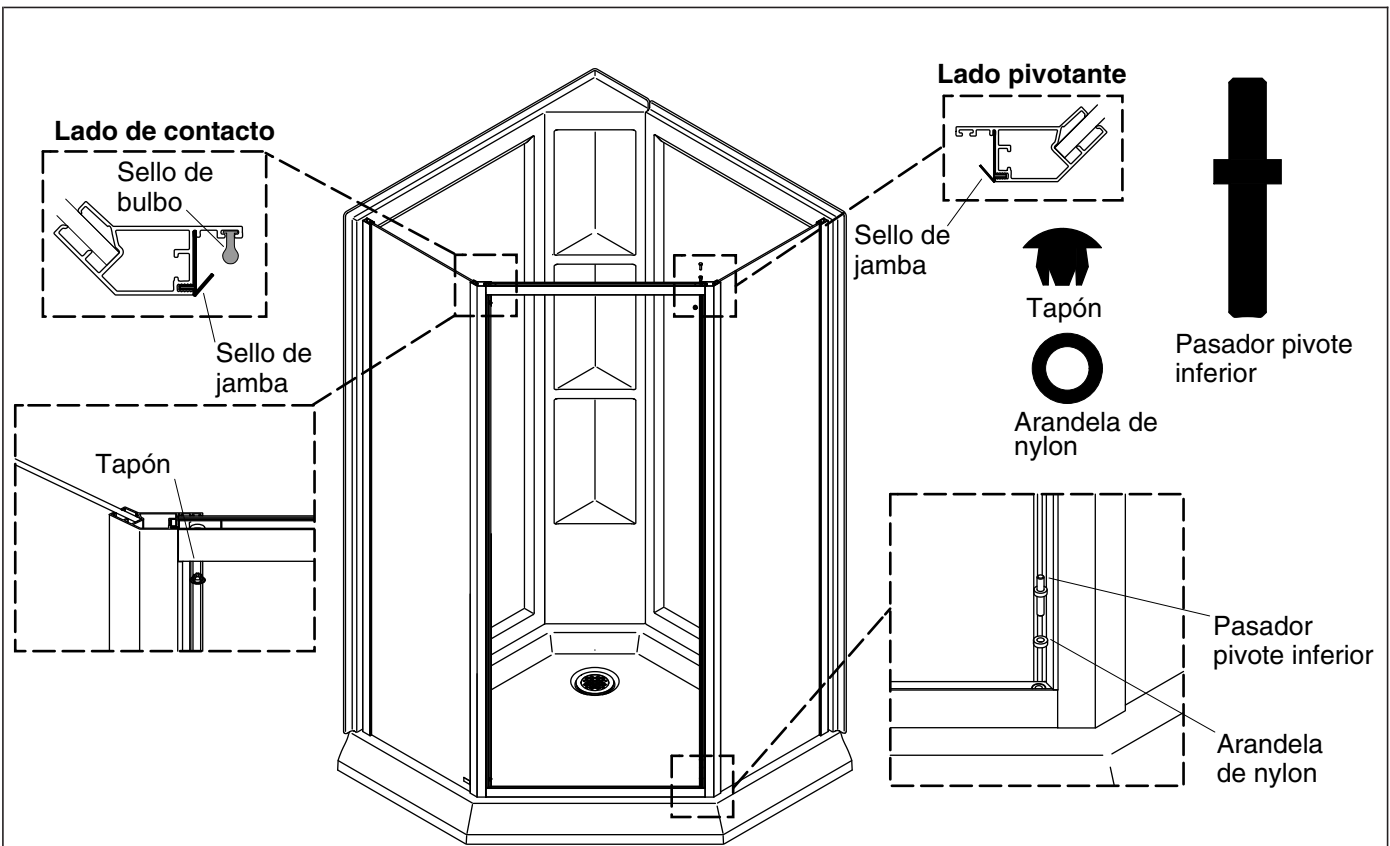
- Deslice los sostenes superior e inferior en los conectores.
- Fije los sostenes a los paneles fijos laterales con tornillos autorroscantes #8-18 x 1/2".

17. Fije los paneles fijos laterales

NOTE: Realice los procedimientos siguientes desde el interior de la ducha.

NOTICE: No apriete demasiado los tornillos. Si aprieta demasiado los tornillos, estos hacen que el lado opuesto de la jamba mural se curve hacia fuera.

- Apriete los tornillos.
- Asegúrese de que la jamba mural siga estando a plomo. Si es necesario hacer ajustes, afloje los tornillos y deslice el panel hasta que quede a plomo.
- Repita con el segundo panel fijo lateral.



18. Instale los sellos, los tapones y el pasador pivote inferior de las jambas

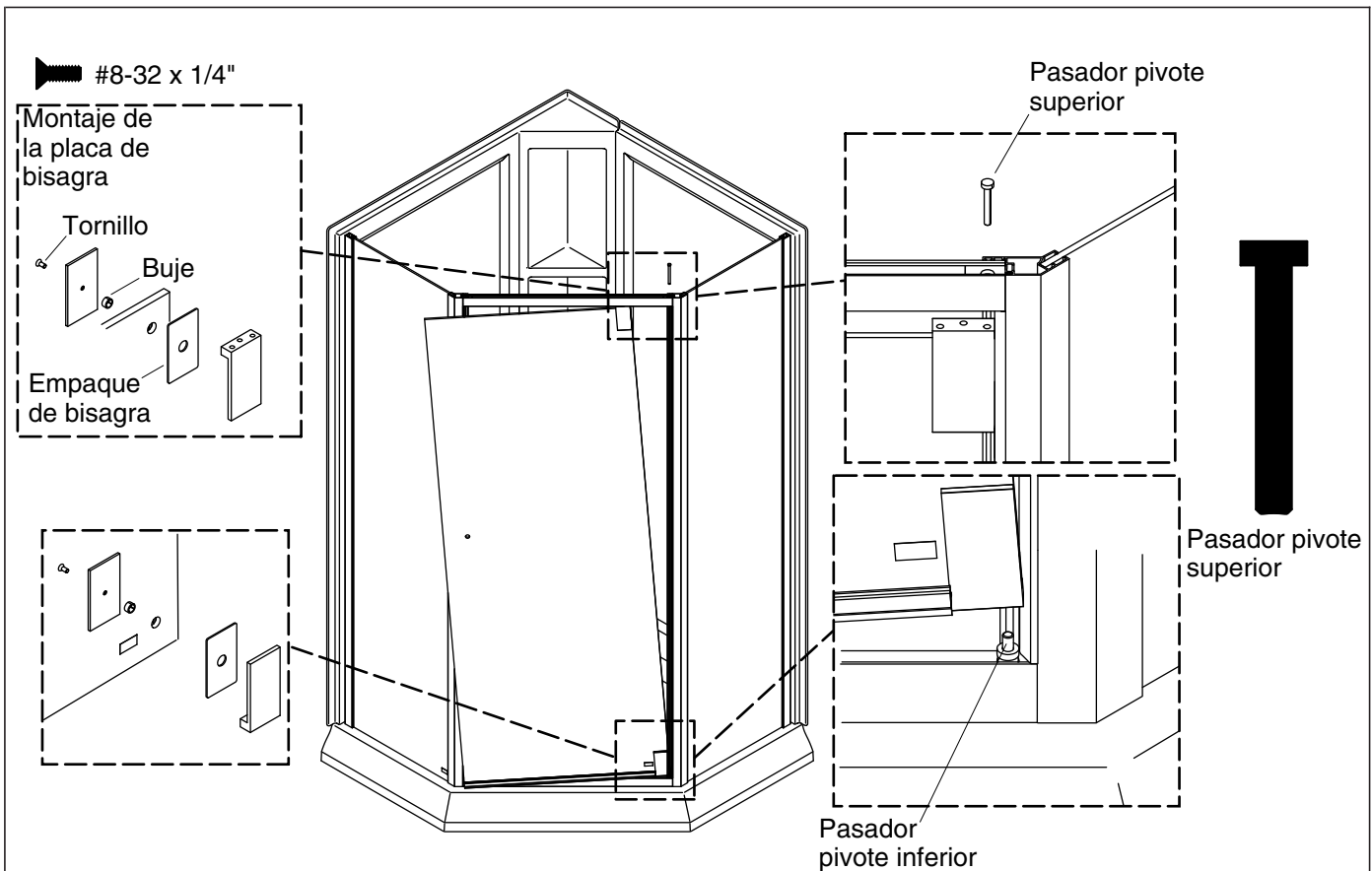
Instale los sellos a las jambas

NOTE: Tanto la jamba pivote como la jamba de contacto reciben un sello de jamba.

- Coloque el sello de jamba como se muestra.
- Empuje el sello de jamba hacia dentro de la ranura en la jamba.

Instale los tapones y el pasador pivote inferior

- **En el caso de instalaciones de pivote derecho:** Introduzca un tapón en el orificio del lado izquierdo en los sostenes superior e inferior. Coloque una arandela de nylon en el orificio inferior del lado derecho en el sostén del marco.
- **En el caso de instalaciones de pivote izquierdo:** Introduzca un tapón en el orificio del lado derecho en los sostenes superior e inferior. Coloque una arandela de nylon en el orificio inferior del lado izquierdo en el sostén del marco.
- Introduzca un pasador pivote inferior a través de la arandela de nylon y en el sostén inferior con el extremo más largo del pasador pivote inferior hacia abajo.



19. Instale el panel de puerta

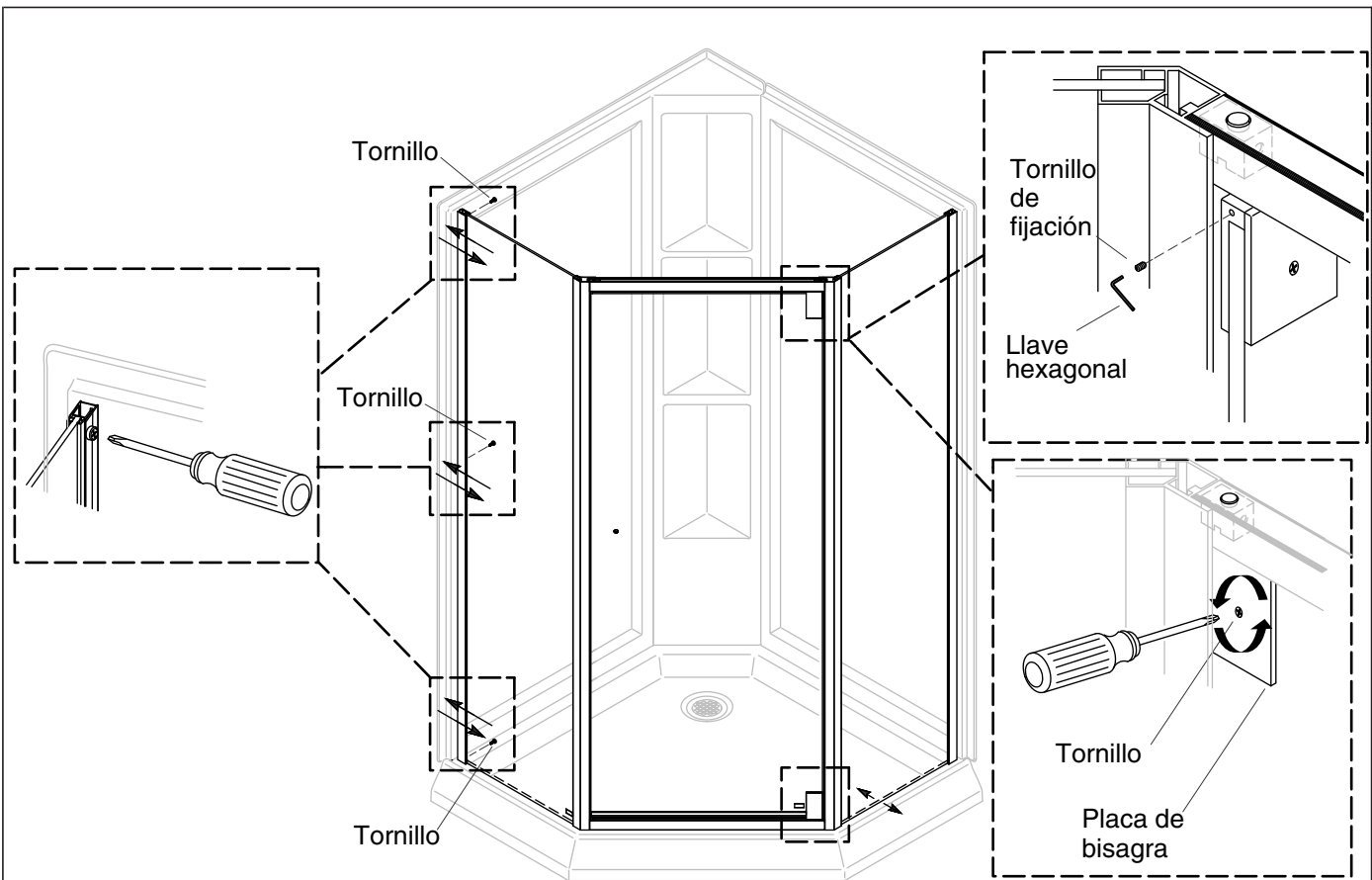
Instale las bisagras

NOTE: La superficie con recubrimiento transparente del panel debe quedar hacia el interior de la ducha.

- Una el empaque de la bisagra en la bisagra en forma de L en el lado que quedará hacia el vidrio.
- Coloque el eje en el orificio en la parte superior del panel de la puerta en el lado sin recubrimiento del vidrio con el voladizo en la parte superior del panel.
- Deslice el buje en el orificio en la puerta de ducha y sobre el eje en la bisagra en forma de L.
- Alinee la placa de la bisagra con el orificio en el vidrio. El orificio para el tornillo de fijación en la placa de la bisagra debe quedar lo más cerca del lado pivotante del panel de la puerta.
- Enrosque el tornillo #8-32 x 1/4" en el eje y apriete con cuidado con un destornillador. No apriete demasiado.
- Repita los pasos con la bisagra inferior.

Fije el panel de puerta

- Levante el panel de la puerta y alinee el orificio para el pivote más cercano al borde del marco del lado de la puerta sobre el pasador pivote inferior. Baje la puerta.
- Alinee el orificio para pivote superior del marco del lado de la puerta con el orificio en el bloque de conectores.
- Introduzca el pasador pivote superior a través del bloque de conectores en el orificio para el pivote del lado de la puerta del marco.



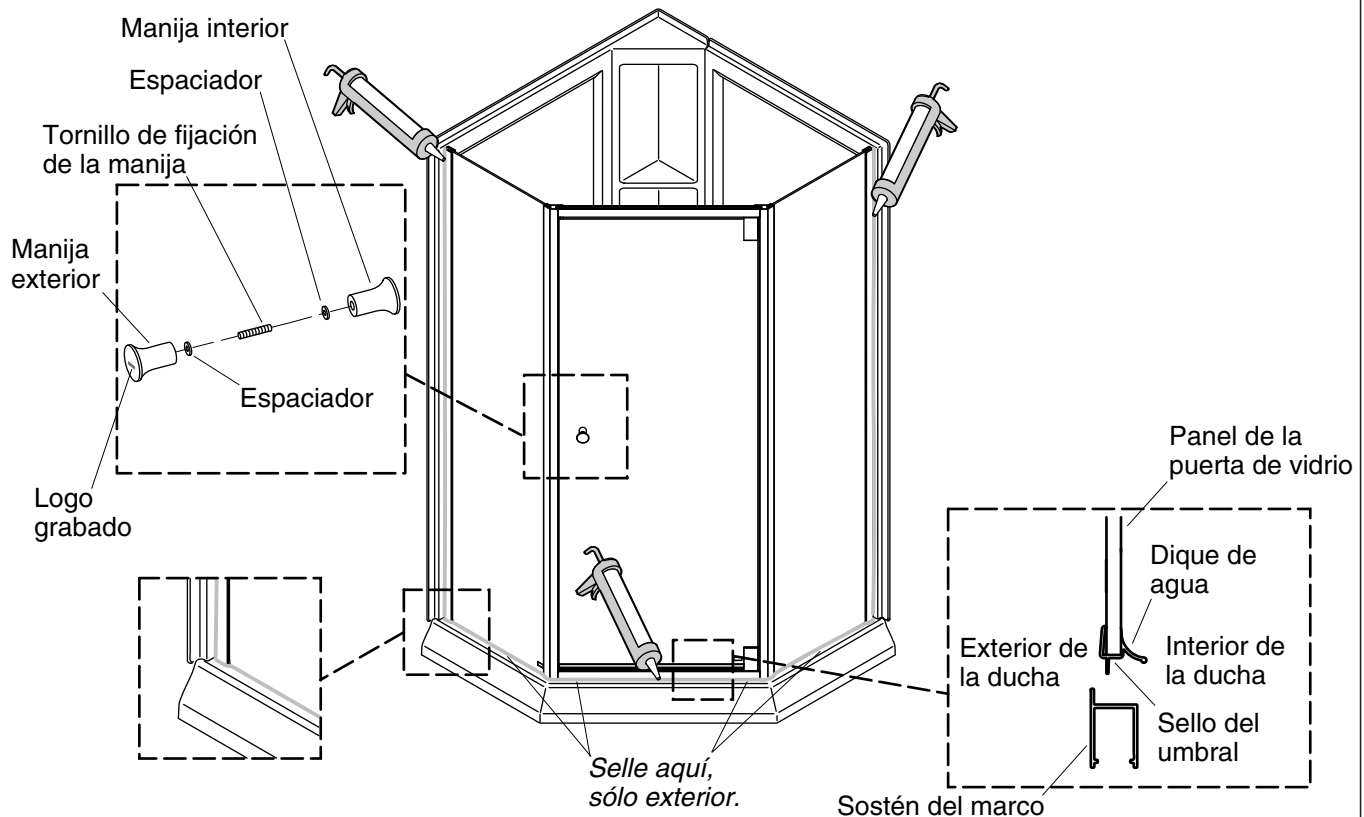
20. Termine la instalación de la puerta y de paneles

Termine la instalación de la puerta

- Abra la puerta hasta que los orificios para tornillos de fijación en los montajes de bisagra queden expuestos.
- Enrosque un tornillo de fijación #8-32 x 1/8" en cada montaje de bisagra con la llave hexagonal provista, pero no apriete mientras las instrucciones no lo indiquen.
- Verifique el funcionamiento correcto de la puerta.
- Si es necesario hacer ajustes, afloje el tornillo de la bisagra.
- Incline o mueva de lugar el panel de la puerta según sea necesario.
- Apriete el tornillo de bisagra.
- Abra la puerta. Desde el interior de la ducha, apriete los tornillos de fijación de las bisagras al pasador pivote en ambas bisagras, superior e inferior.

Ajustes a los paneles fijos laterales

- Para ajustar los paneles fijos laterales, afloje los tres tornillos que fijan los paneles fijos laterales a las jambas murales.
- Incline o mueva de lugar los paneles fijos laterales según sea necesario.
- Vuelva a apretar los tornillos de las jambas murales.



21. Instale las manijas

CAUTION: Riesgo de lesiones personales o daños al producto. Al volver a ensamblar el montaje de la manija de la puerta asegúrese de volver a instalar los espaciadores provistos en la configuración mostrada en la vista adjunta. No se deben apretar las manijas a superficies duras de vidrio templado son los espaciadores, ya que podría quebrarse en pedazos.

NOTE: La manija viene ensamblada de antemano y debe ser desensamblada antes de instalarla en la puerta de la ducha.

- Desatornille la manija sin logotipo del montaje de manija preensamblada.
- Retire el espaciador del montaje de la manija.
- Deslice el tornillo de fijación de la manija ensamblada y el montaje de manija (el logotipo hacia el exterior de la ducha) a través del orificio en la puerta de vidrio de la ducha.
- Vuelva a colocar el espaciador en el tornillo de fijación de la manija.
- Atornille en la otra manija (sin logotipo) en el tornillo de fijación de la manija.
- Apriete por completo ambas manijas por parejo y asegúrese de que el logotipo quede orientado correctamente.

22. Instale el sello del umbral

- Recorte el sello del umbral a que ajuste bien.
- Oriente el dique de agua hacia el interior de la ducha, y presione el sello del umbral hacia la parte inferior del panel de vidrio de la puerta.

23. Selle el marco exterior



CAUTION: Riesgo de daños a la propiedad. Al terminar la instalación, siga las instrucciones de secado recomendadas por el fabricante del sellador antes de utilizar la ducha. Esto permitirá que el adhesivo de panel seque correctamente.

IMPORTANT! Siga las instrucciones de aplicación y tiempo de secado del fabricante del sellador.

NOTE: Limpie completamente el polvo, la suciedad y la grasa de las superficies donde se haya aplicado sellador.

- Aplique sellador 100% de silicona:
 - al exterior de la ducha, donde las jambas murales hacen contacto con la pared.
 - al exterior de la ducha, donde los sostenes hacen contacto con la base de la ducha.
 - las uniones entre la parte inferior de los paneles fijos laterales, donde hacen contacto con la base de la ducha.

USA: 1-800-STERLING
(1-800-783-7546)

México: 001-877-680-1310

SterlingPlumbing.com

STERLING
A KOHLER COMPANY

©2014 Kohler Co.

1100676-2-F