

This unit offers anti-siphon and non-rupture protection.

The Freezeless Model 19 is intended for irrigation purposes and designed for year-round residential regardless of outside temperature. This product contains an integral backflow protection device which protects up to 125 psi of backpressure and therefore does not require an add-on vacuum breaker. This ASSE 1019 device is intended for irrigation use and outdoor watering and shall not be subjected to more than (12) hours of continuous water pressure.

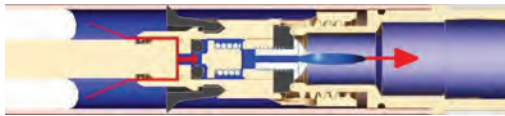
SPECIFICATIONS:

- Manufactured under one or more of the following patents. Patent Information see: <https://www.woodfordmfg.com/patents>
- ASSE 1019 - Type C Listed
- CSA, cUPC Approved
- Not intended for continuous use



FEATURES:

- *Patented resetting pressure relief valve prevents the faucet tube from bursting in freezing conditions even if a hose is unintentionally left on.*



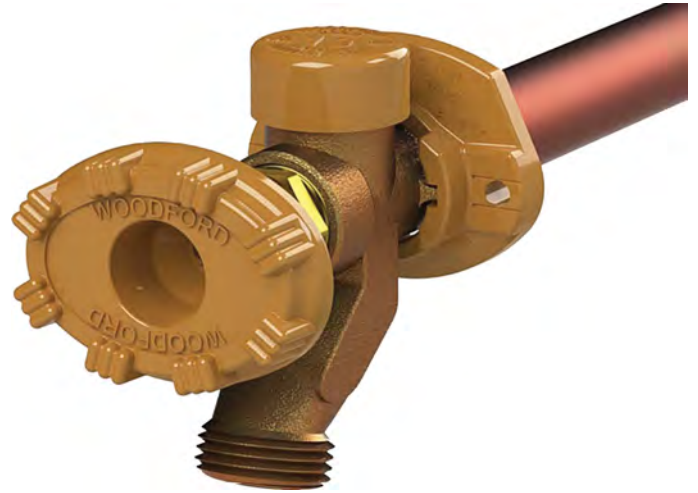
- 3/4" male hose thread nozzle
- Stainless steel seat - eliminates wire draw
- EPDM packing to prevent leaking
- Full circle operating threads on valve body and retainer
- No-lead solder
- Standard "O" size seat washer
- Oval, powder-coated, die cast aluminum handle
 - Optional Tee Key available (extra charge)
- Adjustable polycarbonate wall flange
- **MAX PRESSURE** - 125 p.s.i.
- **MAX TEMPERATURE** - 120° F

INSTALLATION REQUIREMENTS:

- The faucet length used is to be comparable to what would be used with standard freezeless faucets.
- The inlet connection must be located in a heated area.
- The gap between the house and faucet must be sealed to prevent air leaks.
- The faucet must be installed with a slight downward pitch toward the nozzle.
- Adequate insulation is required around the faucet, wall board and sill plate.

For Installation / Troubleshooting Instructions go to www.woodfordmfg.com or call 1-800-621-6032

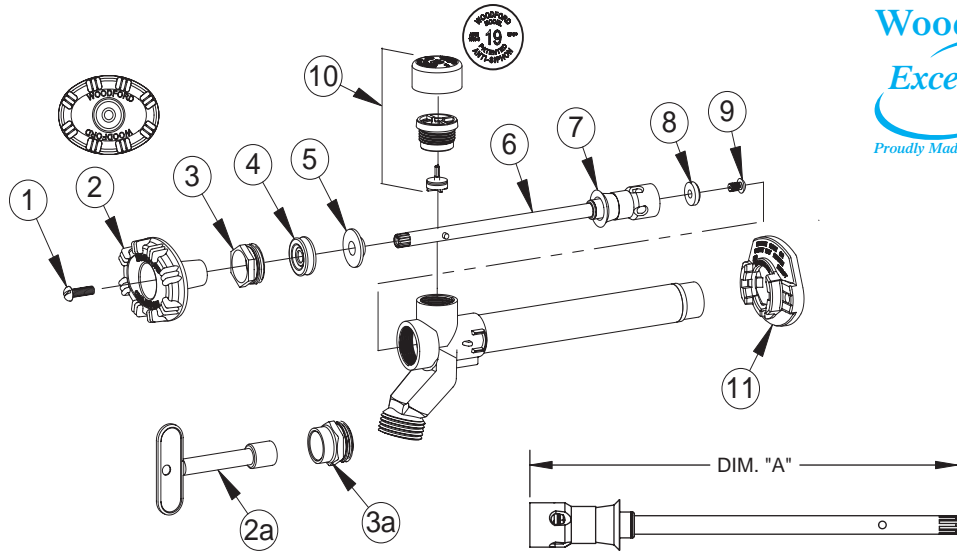
Freezeless Anti-Siphon Wall Faucet Model 19



Inlet Descriptions

	<p>C Inlet COMBINATION Copper Sweat Fitting 1/2" K, L or M Inside 3/4" M Only Outside</p>
	<p>CP Inlet COMBINATION 1/2" Male Pipe Thread 1/2" Female Sweat</p>
	<p>C3 Inlet 3/4" Female Sweat Fitting</p>
	<p>P Inlet COMBINATION 1/2" Female Pipe Thread 3/4" Male Pipe Thread</p>
	<p>PX Inlet 1/2" PEX Tube Fitting PX3 Inlet 3/4" PEX Tube Fitting</p>
	<p>W Inlet 1/2" Wirsbo® Tube Fitting W3 Inlet 3/4" Wirsbo® Tube Fitting</p>
	<p>R Inlet 1/2" Rehau® Tube Fitting</p>
	<p>CM Inlet COMBINATION 1/2" Compression Fitting 1/2" Copper Sweat Fitting</p>

When ordering, specify model , inlet and wall thickness.



MODEL 19 PARTS LIST

ITEM	PART#	DESCRIPTION
1	30002	Handle Screw
2	30559	Oval Wheel Handle - Powder Coated Die Cast Aluminum
2a	50012	Tee Key (Optional)
3	30059	Packing Nut
3a	30512	Packing Nut w/deep stem guard (Optional)
4	30560	EPDM Packing
5	30421	Packing Support Washer
6	RK-PRV	Valve Stem Assembly (See chart at right)
7	30459	Check Valve
8	30008	Valve Seat Rubber
9	30804	Retainer Screw
10	RK-19VB	Vacuum Breaker Float Kit - Model 19
11	30098	Adjustable Flange
	RK-19	Repair Kit (Includes items 1-5, 7-10)

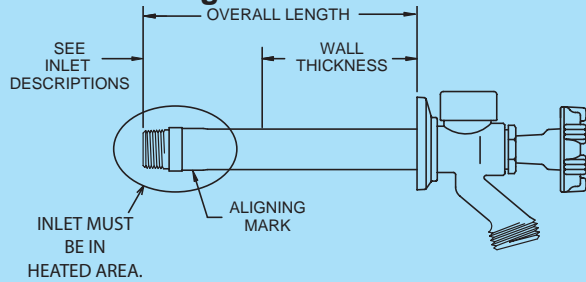
RK-PRV and Replacement Rod

Wall Thickness	RK-PRV-*	Rod Only Part #**	Overall Length Dim "A"
4	RK-PRV-4	35092	5 7/8"
6	RK-PRV-6	35093	7 7/8"
8	RK-PRV-8	35094	9 7/8"
10	RK-PRV-10	35095	11 7/8"
12	RK-PRV-12	35096	13 7/8"
14	RK-PRV-14	35097	15 7/8"
16	RK-PRV-16	35098	17 7/8"
18	RK-PRV-18	35099	19 7/8"
20	RK-PRV-20	35100	21 7/8"
22	RK-PRV-22	35101	23 7/8"
24	RK-PRV-24	35102	25 7/8"

*RK-PRV Includes Items 1 - 4, 6 - 9

**Rod Includes Items 6 - 9

Rough-In Dimensions



Wall Thickness (inches)

4	6	8	10	12	14	16	18	20	22	24
1.2	1.3	1.4	1.5	1.6	1.7	1.8	1.9	2.0	2.1	2.2

Shipping Wt. Ea. (lbs)

*Overall Length Dimension: Add wall thickness and inlet option length shown in chart above.

LIMITED WARRANTY

All Model 19 Wall faucets are sold with a limited warranty for five (5) years against defects in material and workmanship. We will replace or issue credit (at our option) for defective goods that are returned for inspection and found to be defective within five (5) years of purchase from Woodford. In addition, Woodford will pay up to \$5,000.00 toward the cost to repair damages incurred as a result of a defective Model 19 Wall Faucet that was properly installed. This limited warranty does not cover defects caused by: modification, alteration or repair of the product by anyone other than Woodford; physical abuse to, or misuse of, the product or operation thereof in a manner contrary to accompanying instructions.

For more information contact...

WOODFORD MANUFACTURING COMPANY, LLC

2121 Waynoka Road, Colorado Springs, Colorado 80915 • Phone: (800) 621-6032

To view our complete product line visit: www.woodformfg.com or email: sales@woodformfg.com